

MODEL: *B4510-18-SF*

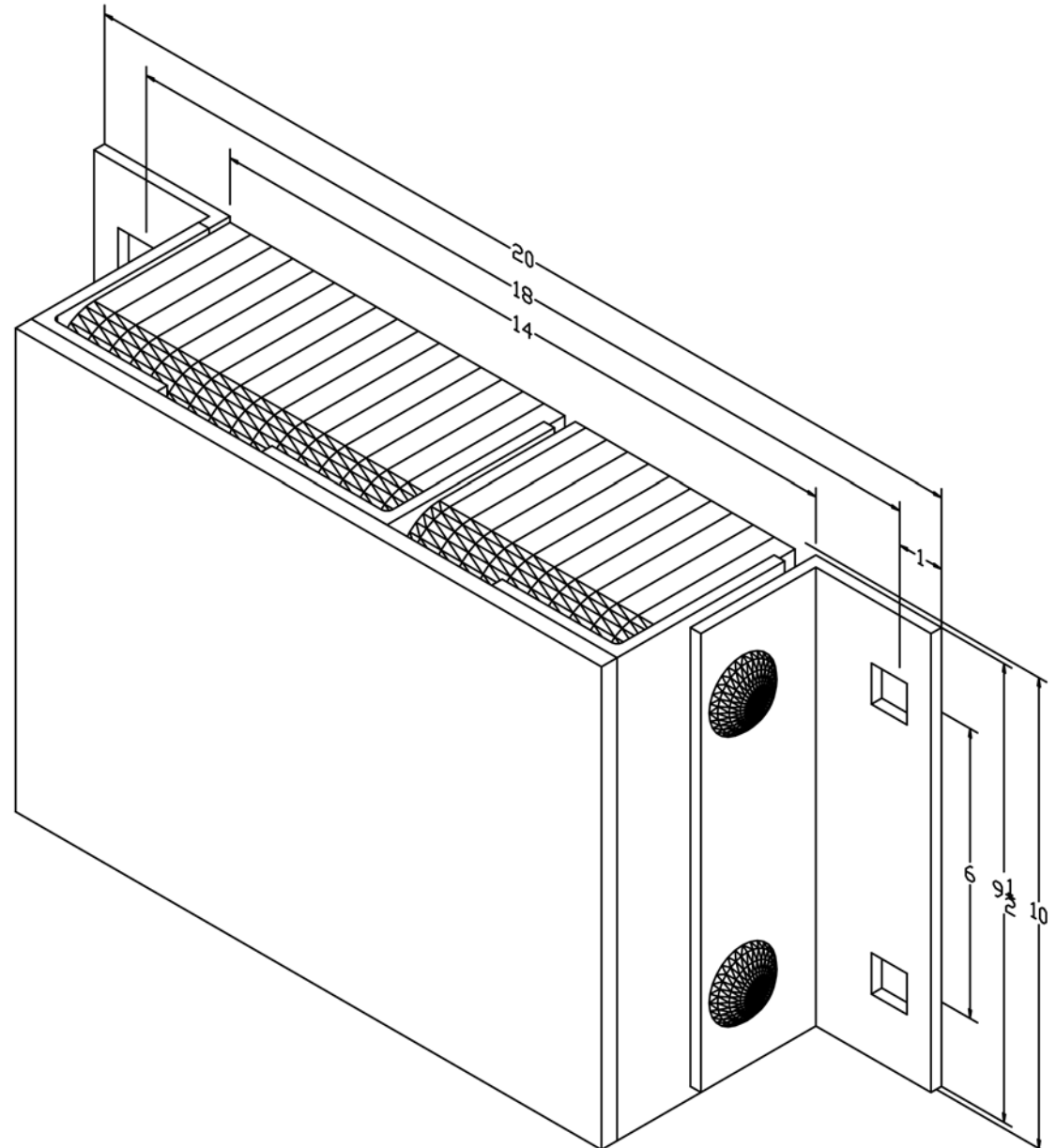
Size

Projection 5-1/8"  
Height 10"

Length:

-Overall 20"  
-Anchor Holes 18"  
-Rubber 14"  
Angle Size (2) 1/4"x3"x3"x9-1/2"  
Slot Angle Size 1/4"x3"x4"x9-1/2"  
Face Plate Size (1) 3/8"x10"x14"

Bolt Heads Are Inscribed  
"DURABLE CORP"



All measurements are +/- 1/8"