

MODEL: *B612-12P2*

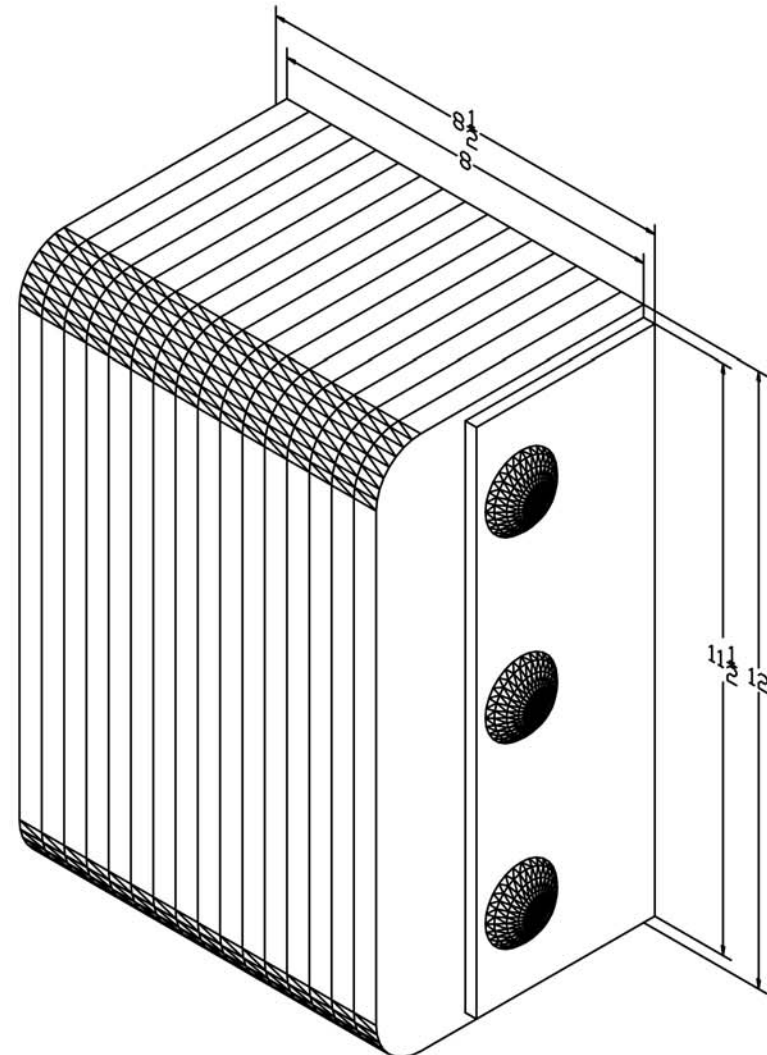
Size

Projection      6"  
Height          12"

Length:

-Overall          8-1/2"  
-Rubber          8"  
Plate Size (2)    1/4"x4"x9-1/2"

Bolt Heads Are Inscribed  
"DURABLE CORP"



All measurements are +/- 1/8"