

MODEL: *B612-14-P2*

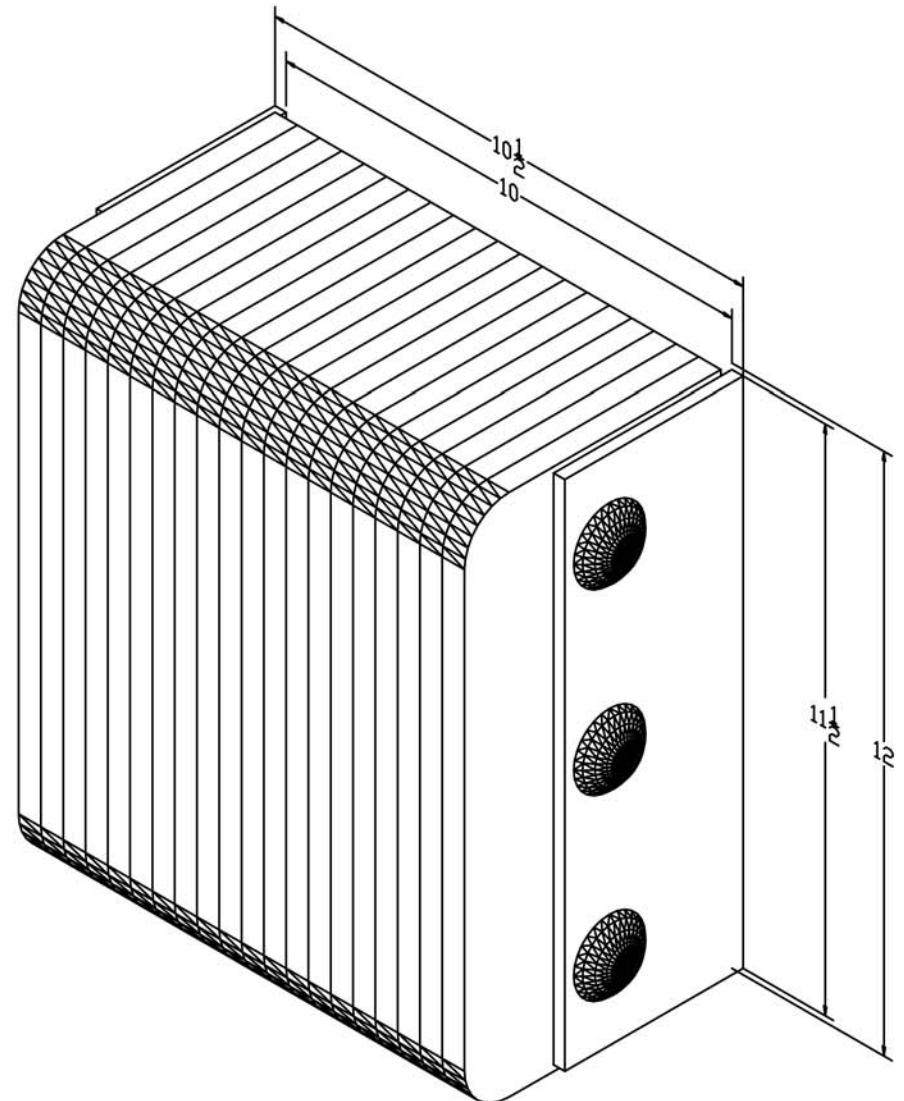
Size

Projection 6"
 Height 12"

Length:

-Overall 10-1/2"
 -Rubber 10"
 Plate Size (2) 1/4"x4"x11-1/2"

Bolt Heads Are Inscribed
 "DURABLE CORP"



All measurements are +/- 1/8"