

MODEL: *B910-24*

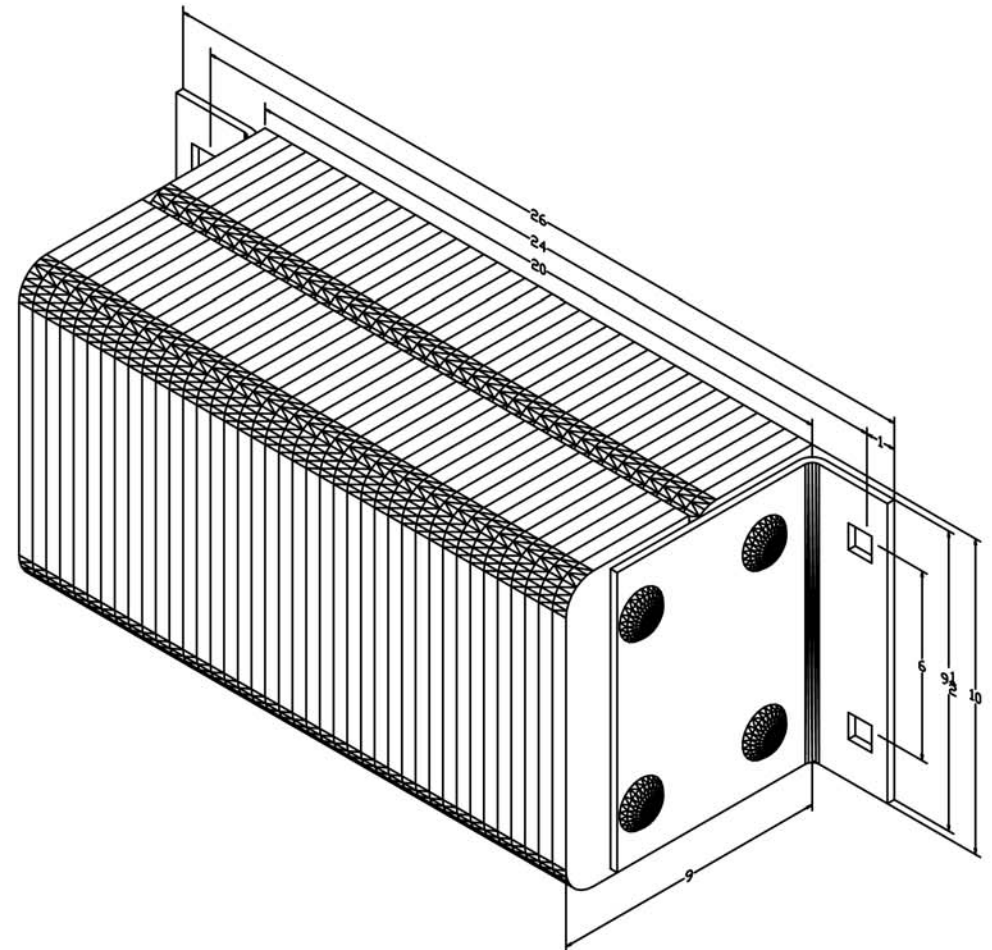
Size

Projection            9"  
Height                10"

Length:

-Overall                26"  
-Anchor Holes        24"  
-Rubber                20"  
Plate Size (2)        1/4"x3"x7-3/8"x9-1/2"

Bolt Heads Are Inscribed  
"DURABLE CORP"



All measurements are +/- 1/8"