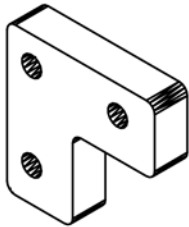
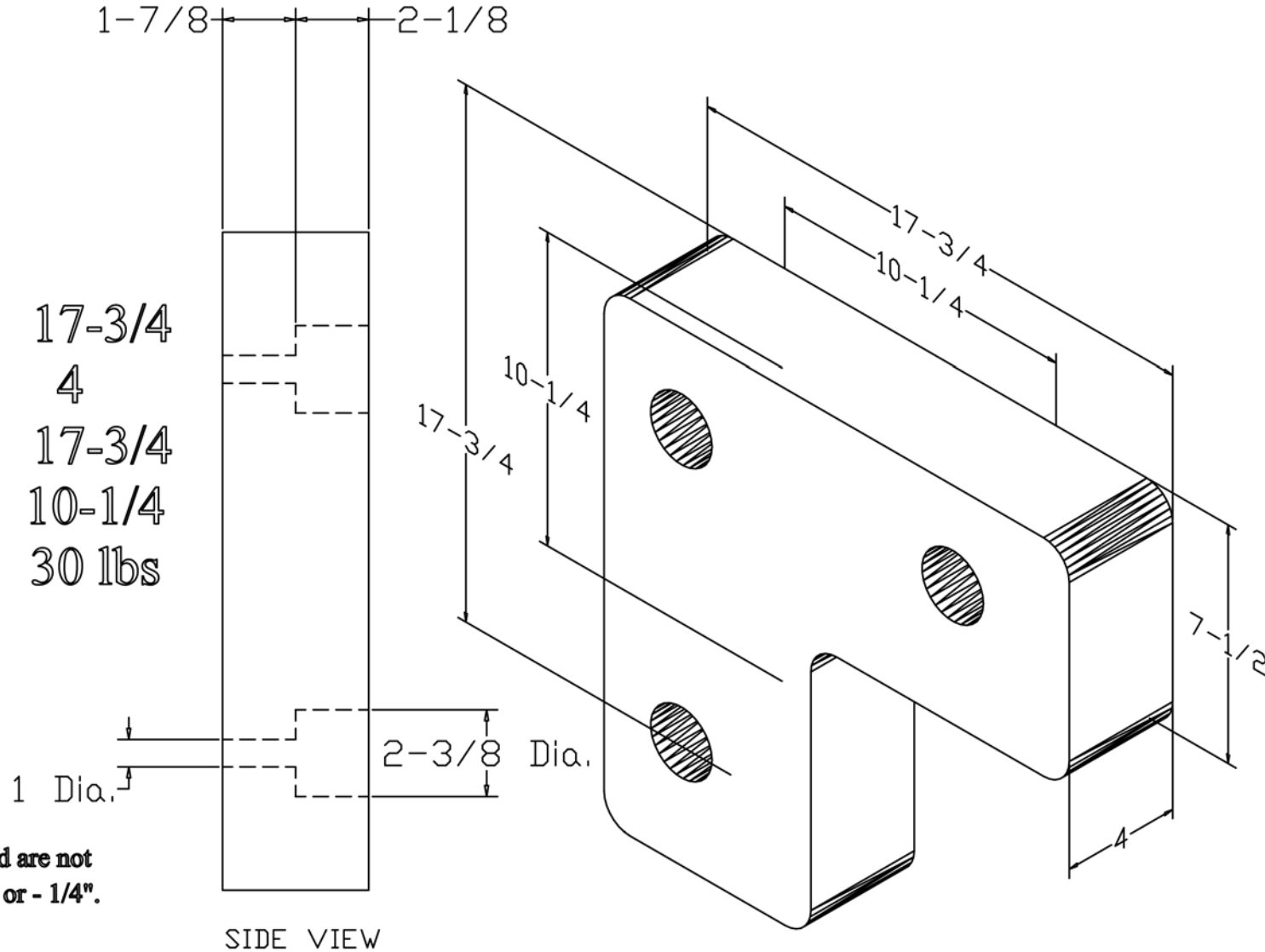


MODEL: L  
MOLDED BUMPER

Size



Overall Length	17-3/4
Overall Thickness	4
-Height	17-3/4
-Anchor Holes	10-1/4
Total Weight	30 lbs



**Please Note:** Weights are calculated and are not actual and overall tolerance may vary + or - 1/4".