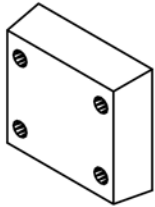
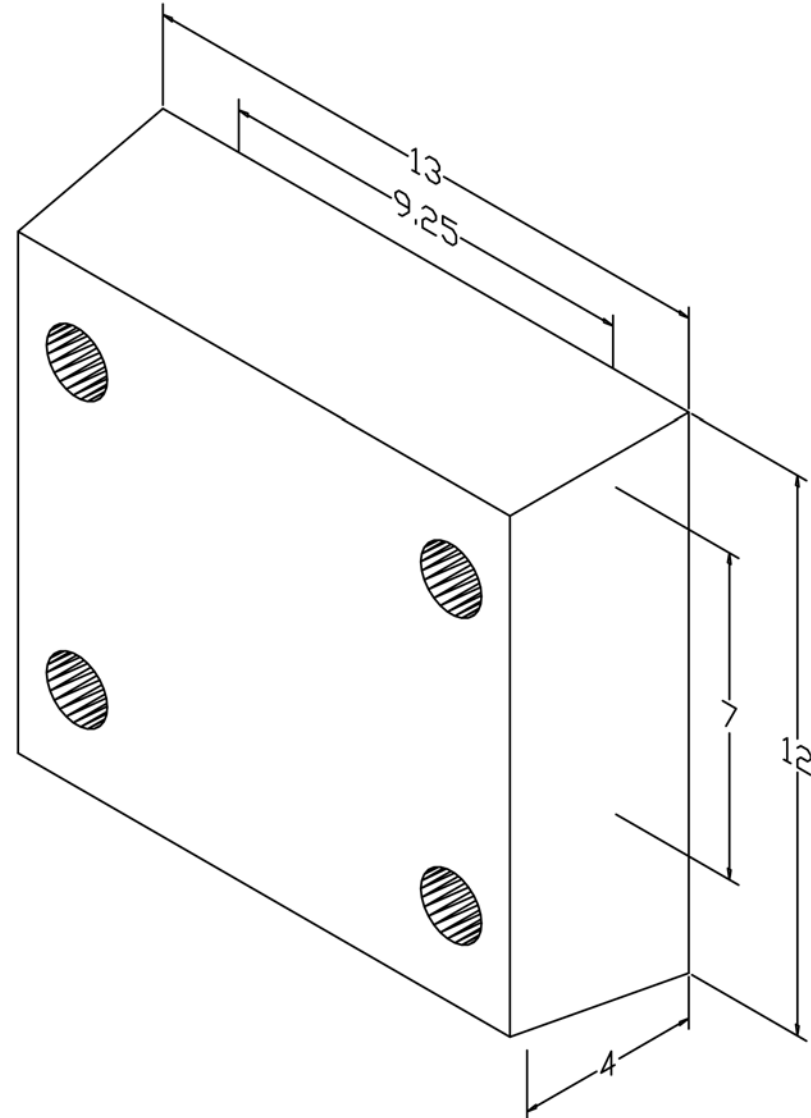


MODEL: *R*
MOLDED BUMPER

Size



Overall Length	13
Overall Thickness	4
-Height	12
-Anchor Holes	9-1/4x7
Total Weight	20 lbs



Please Note: Weights are calculated and are not actual and overall tolerance may vary + or - 1/4".