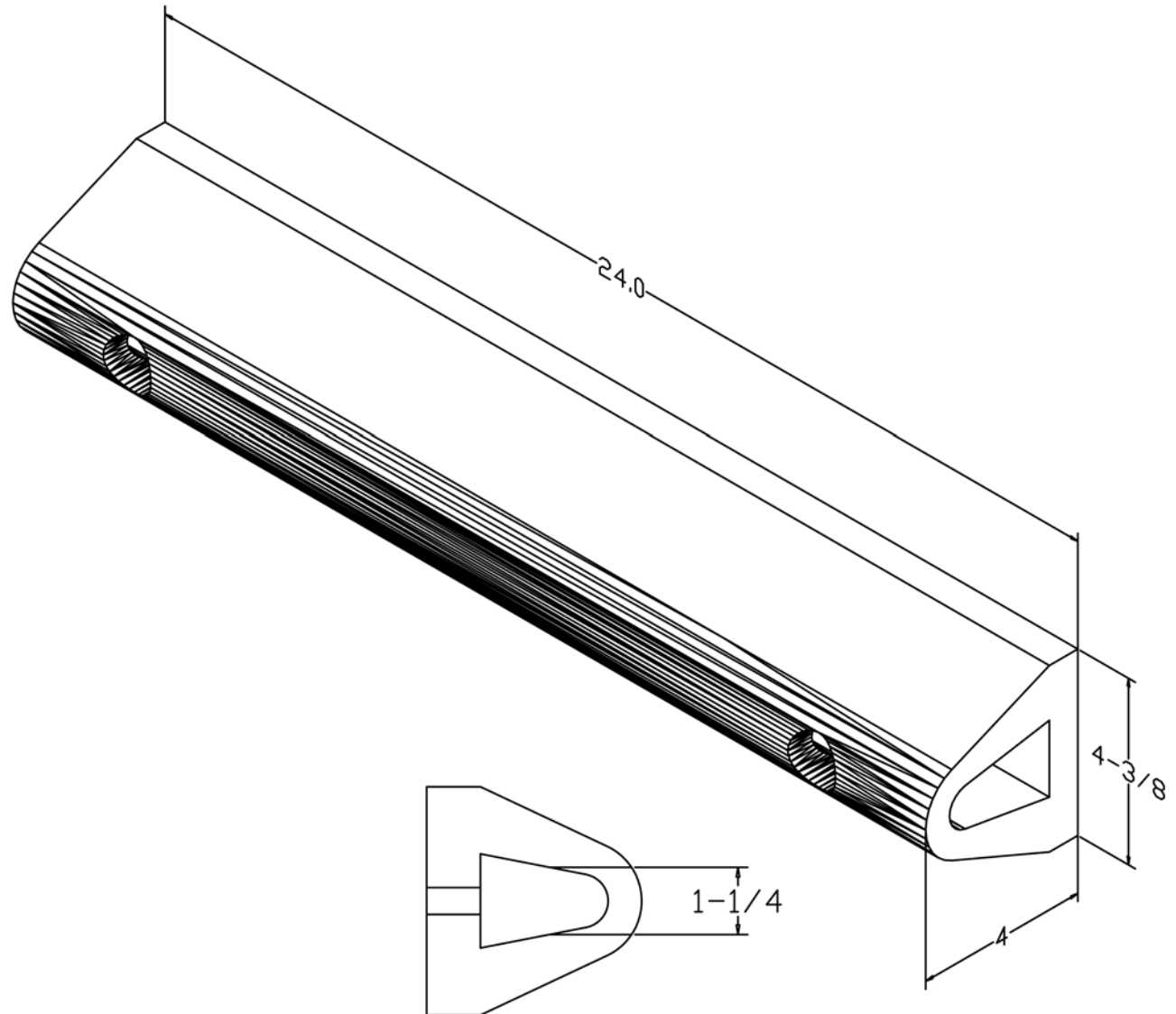


MODEL: *D-4-24*
EXTRUDED BUMPER

Size

Overall Length	24"
Overall Thickness	4"
Height	4-3/8"
Bolt Size	1/2 x 3"
Total Weight	11 lbs



Please Note:

-Weights are calculated and are not
actual and overall tolerance may vary + or - 1/4.