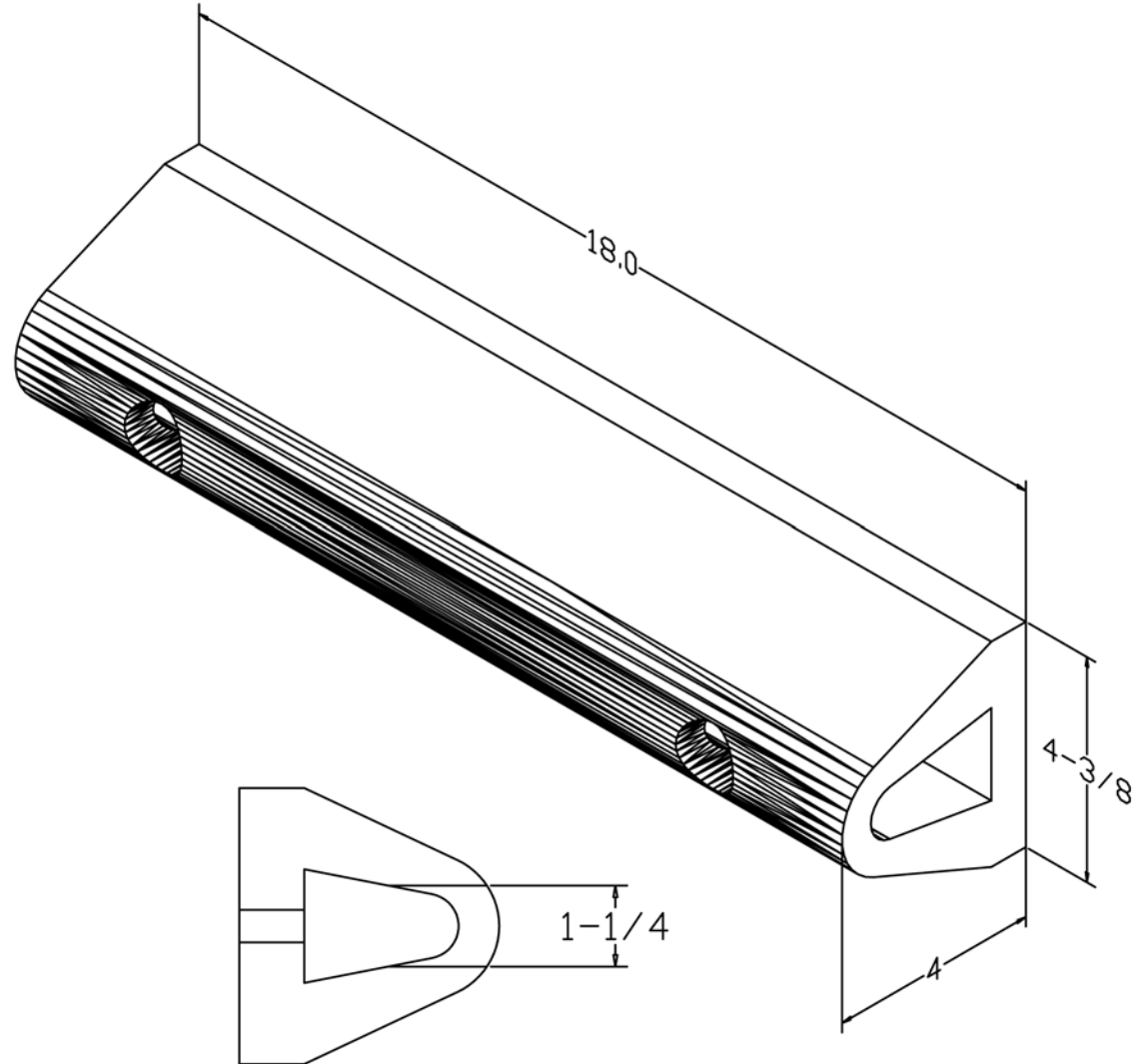


MODEL: *D-4-18*
EXTRUDED BUMPER

Size

| | |
|-------------------|----------|
| Overall Length | 18" |
| Overall Thickness | 4" |
| Height | 4-3/8" |
| Bolt Size | 1/2 x 3" |
| Total Weight | 9 lbs |



SIDE VIEW

Please Note:

-Weights are calculated and are not actual and overall tolerance may vary + or - 1/4.