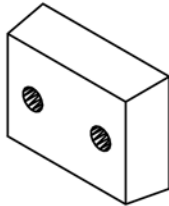
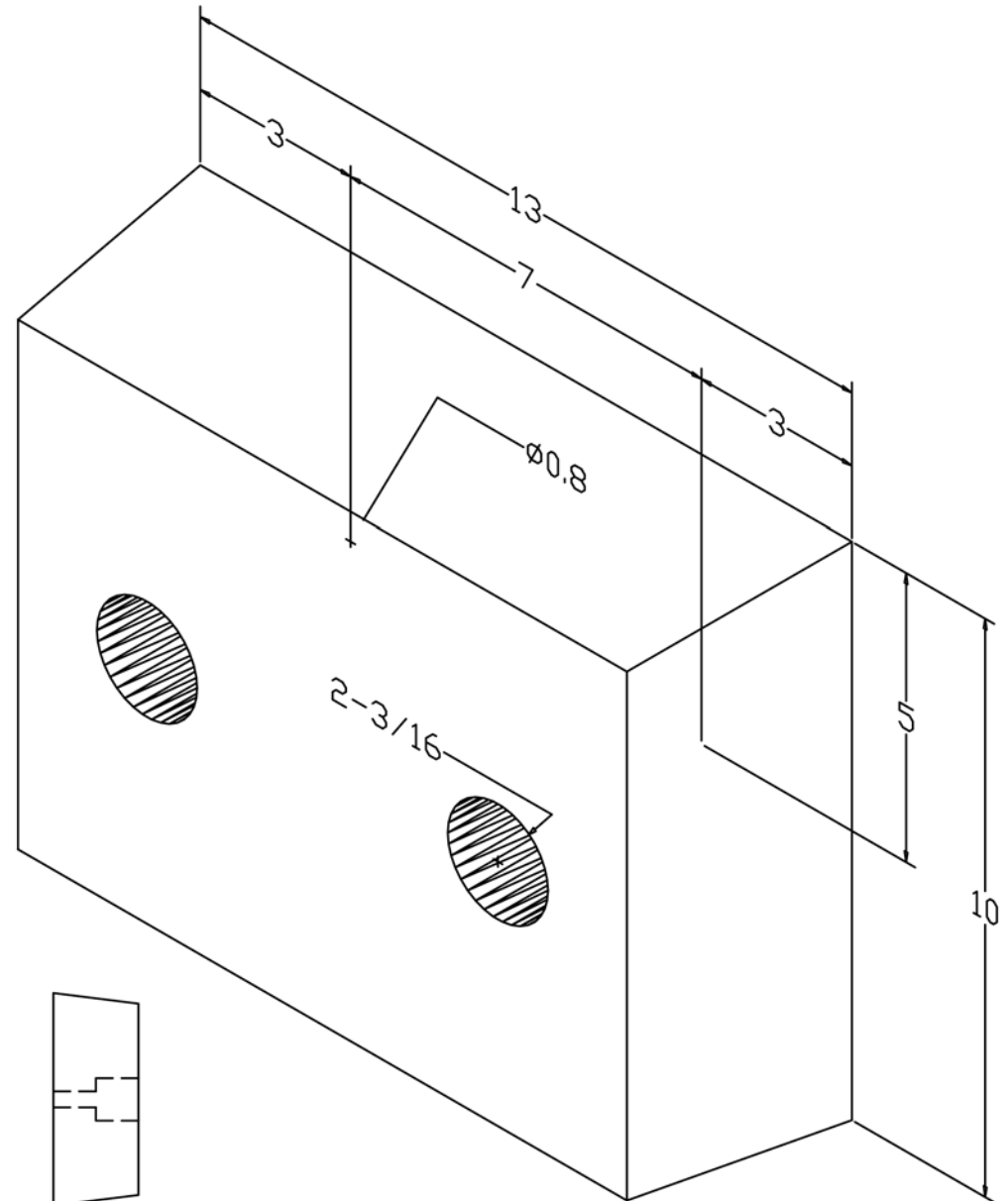


MODEL: *DB-13*
MOLDED BUMPER

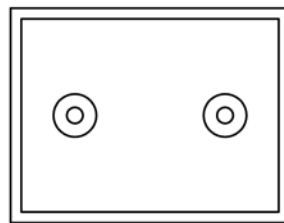
Size



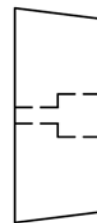
Overall Length	13
Overall Thickness	4
-Height	10
-Anchor Holes	17
Total Weight	17 lbs



Please Note: Weights are calculated and are not actual and overall tolerance may vary + or - 1/4".



FRONT VIEW



SIDE VIEW