

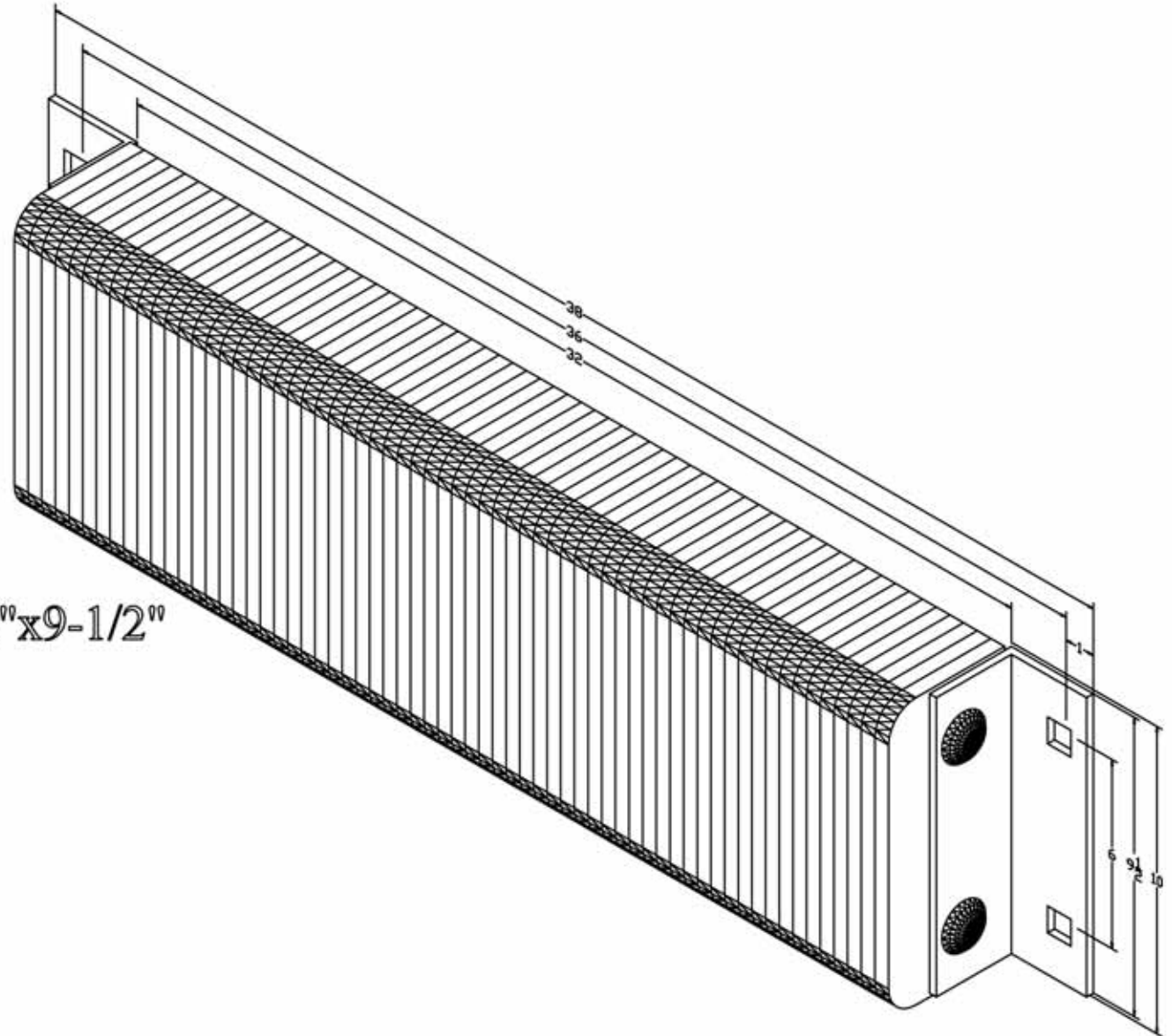
MODEL: *B4510-36*

Size

Projection 4-1/2"  
Height 10"

Length:

-Overall 38"  
-Anchor Holes 36"  
-Rubber 32"  
Angle Size (2) 1/4"x3"x3"x9-1/2"



All measurements are +/- 1/8"