

BE ADVISED THAT THESE ARE PRELIMINARY LAYOUTS
 INTENDED TO ILLUSTRATE DESIGN INTENT AND DIMENSIONS
 ARE FOR REFERENCE ONLY PRIOR TO FINAL ENGINEERING

COMPARTMENT SIZES INSIDE DIMENSIONS				JAMB OPENING	
NO.	HEIGHT	WIDTH	DEPTH	HEIGHT	WIDTH
CS5	24.00	33.00	20.00	23.00	32.25
CS7	-	-	-	45.00	20.50
CS8	13.00	22.00	20.00	13.00	20.50

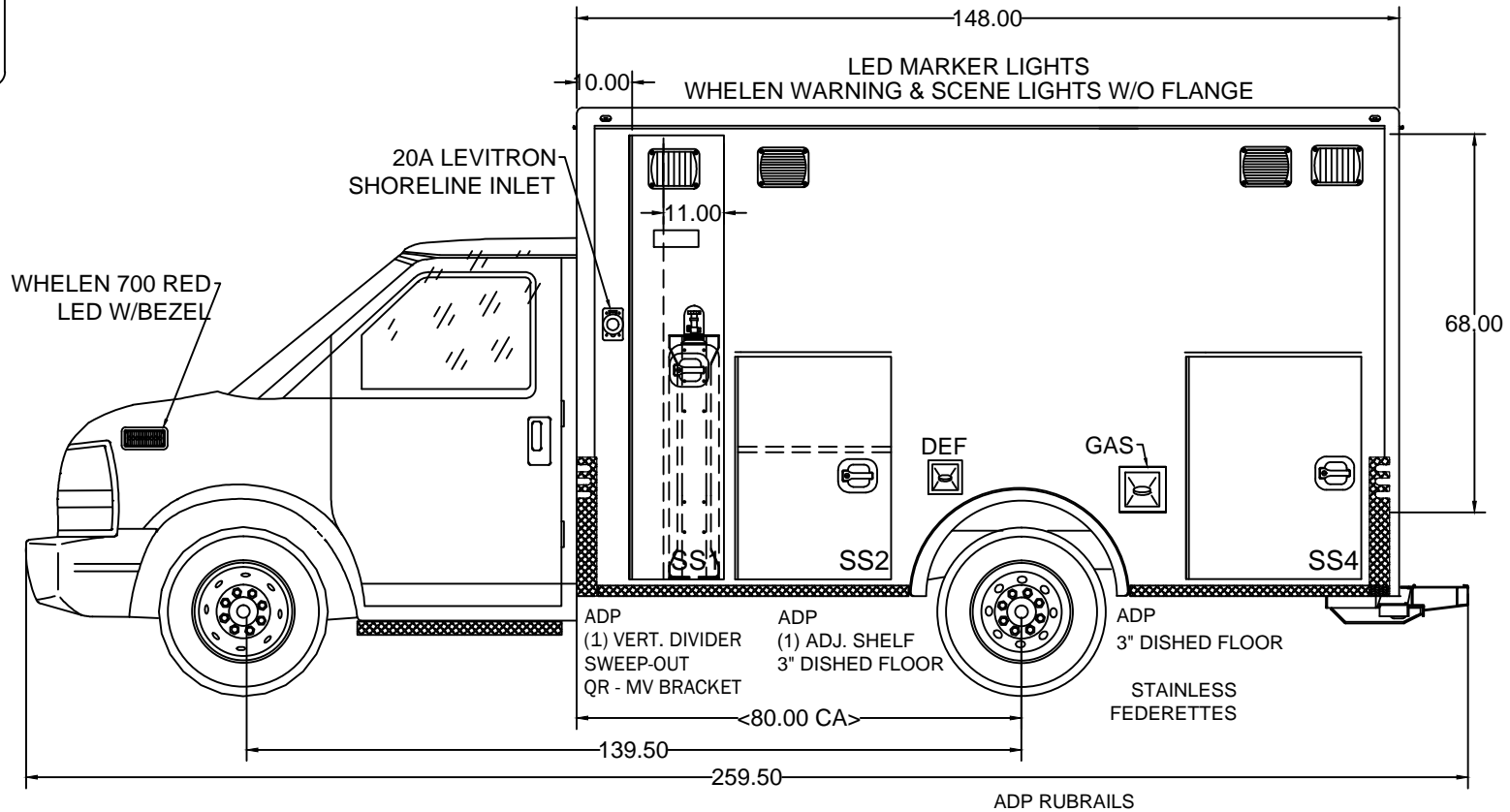
Marque Ambulance

2737 FORSYTH RD, WINTER PARK, FL 32792
 PHONE: 888-999-2175

TYPE/MODEL/CHASSIS: TYPE 3 CHEVY 148 COMMANDO

DEALER/CUSTOMER: MASTER PRINT

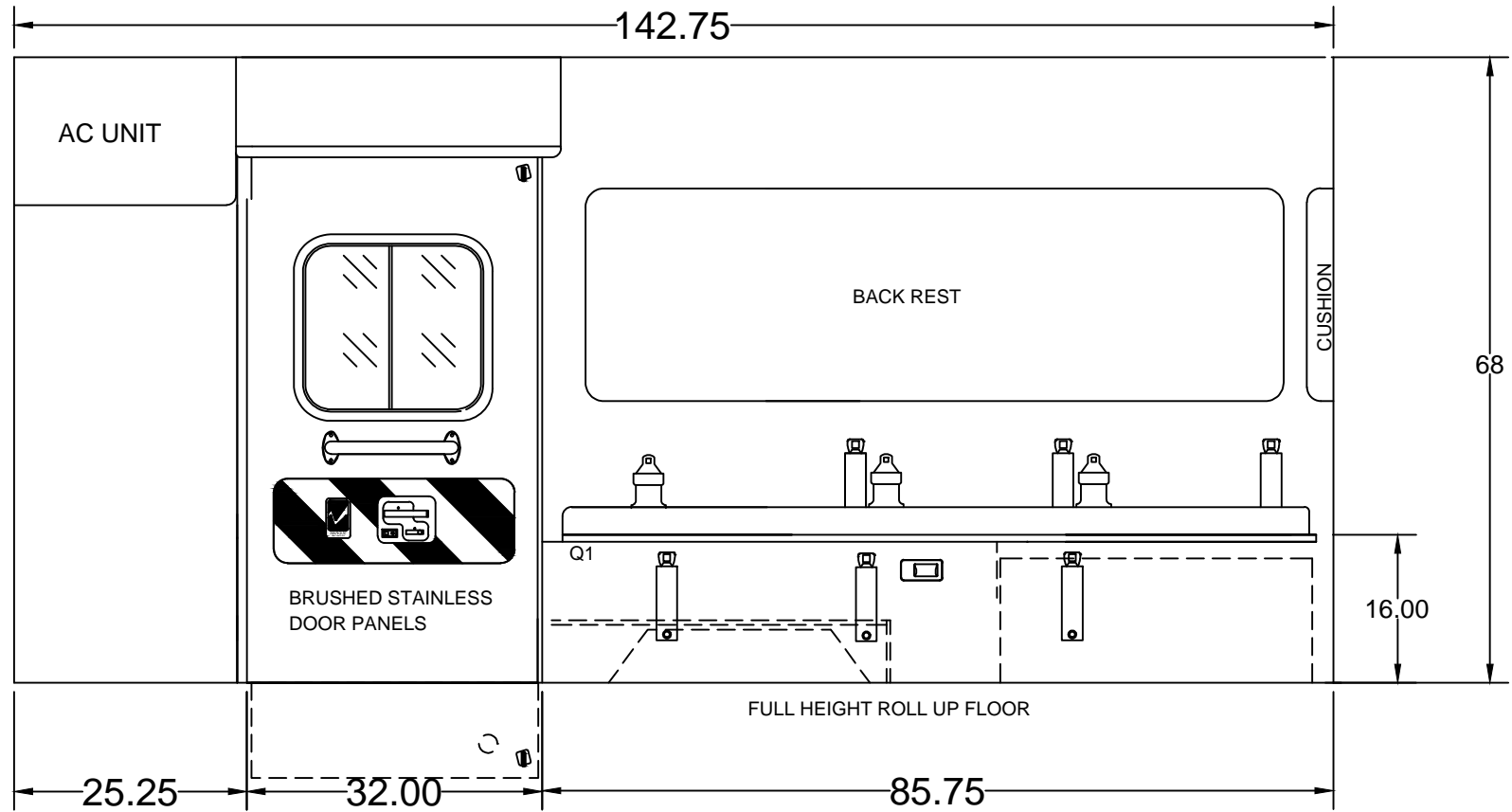
REAR INT. ELEVATION 11/7/13 MM 03 of 08



BE ADVISED THAT THESE ARE PRELIMINARY LAYOUTS INTENDED TO ILLUSTRATE DESIGN INTENT AND DIMENSIONS ARE FOR REFERENCE ONLY PRIOR TO FINAL ENGINEERING

DIMENSIONS ROUNDED DOWN TO THE 1/4"

COMPARTMENT SIZES INSIDE DIMENSIONS				JAMB OPENING		Marque Ambulance		2737 FORSYTH RD, WINTER PARK, FL 32792 PHONE: 888-999-2175	
NO.	HEIGHT	WIDTH	DEPTH	HEIGHT	WIDTH				
SS1	79.00	15.75	20.00	79.00	15.75	TYPE/MODEL/CHASSIS: TYPE 3 CHEVY 148 COMMANDO			
SS2	41.50	28.25	20.00	39.00	26.75				
SS4	41.50	31.75	20.00	39.00	30.25	DEALER/CUSTOMER: MASTER PRINT			

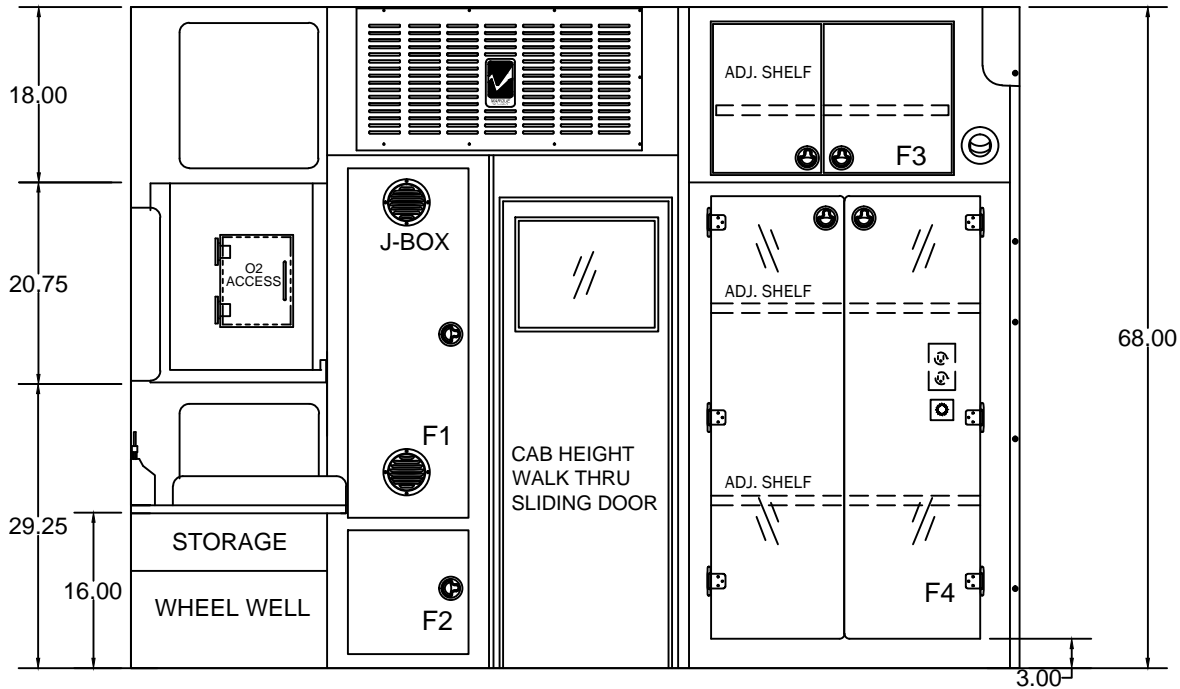


BE ADVISED THAT THESE ARE PRELIMINARY LAYOUTS INTENDED TO ILLUSTRATE DESIGN INTENT AND DIMENSIONS ARE FOR REFERENCE ONLY PRIOR TO FINAL ENGINEERING

CABINET SIZES INSIDE DIMENSIONS

NO.	HEIGHT	WIDTH	DEPTH

Marque Ambulance		2737 FORSYTH RD, WINTER PARK, FL 32792	
		PHONE: 888-999-2175	
TYPE/MODEL/CHASSIS: TYPE 3 CHEVY		148 COMMANDO	
DEALER/CUSTOMER: MASTER PRINT			
REAR INT. ELEVATION	11/7/13	MM	07 of 08



BE ADVISED THAT THESE ARE PRELIMINARY LAYOUTS INTENDED TO ILLUSTRATE DESIGN INTENT AND DIMENSIONS ARE FOR REFERENCE ONLY PRIOR TO FINAL ENGINEERING

CABINET SIZES INSIDE DIMENSIONS

NO.	HEIGHT	WIDTH	DEPTH
F1	36.75	13.00	12.00
F2	13.50	13.00	12.00
F3	16.50	32.25	23.25
F4	46.25	32.25	23.25

DIMENSIONS ARE ROUNDED DOWN TO THE CLOSEST 1/4 INCH

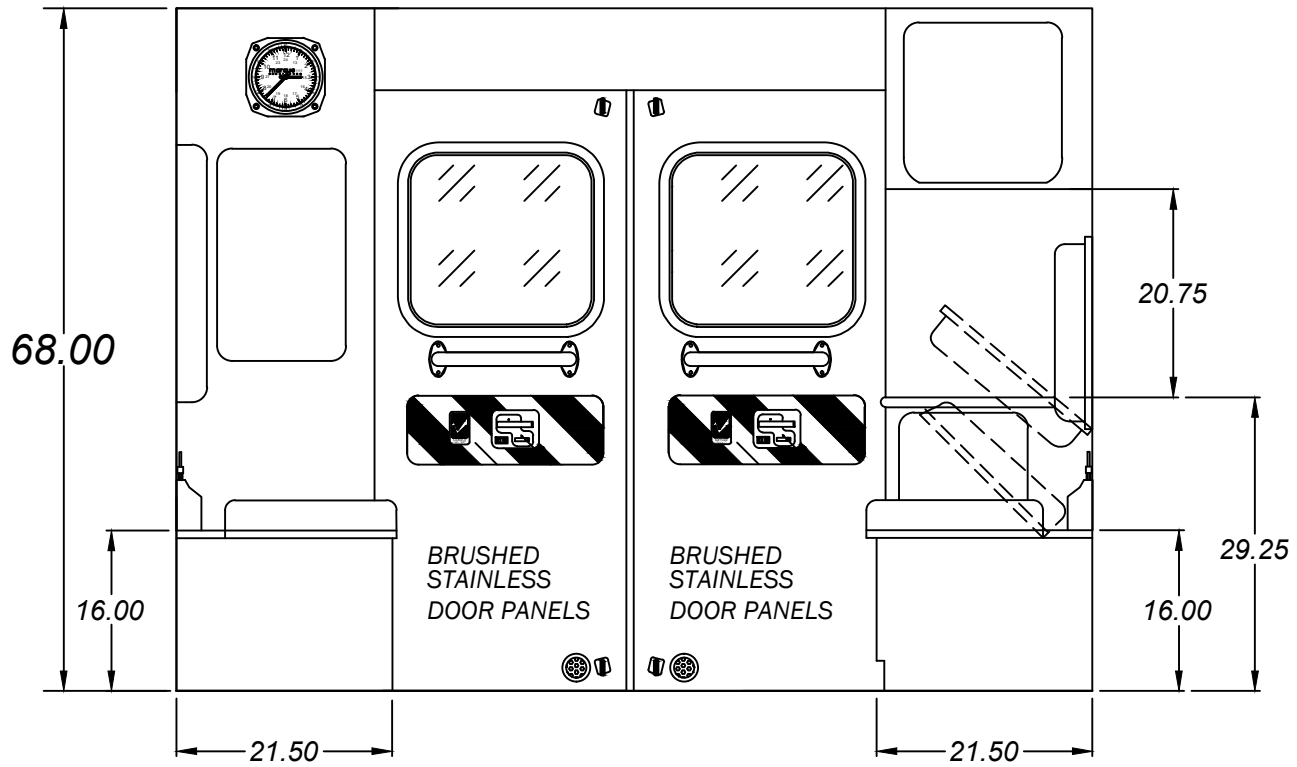
MARQUE AMBULANCE

2737 FORSYTH RD, WINTER PARK, FL 32792
PHONE: 888-999-2175

TYPE/MODEL/CHASSIS: TYPE 3 CHEVY 148 COMMANDO

DEALER/CUSTOMER: MASTER PRINT

FRONT INT. ELEVATION | 12-02-13 | MM | 04 OF 08



BE ADVISED THAT THESE ARE PRELIMINARY LAYOUTS
 INTENDED TO ILLUSTRATE DESIGN INTENT AND DIMENSIONS
 ARE FOR REFERENCE ONLY PRIOR TO FINAL ENGINEERING

CABINET SIZES INSIDE DIMENSIONS

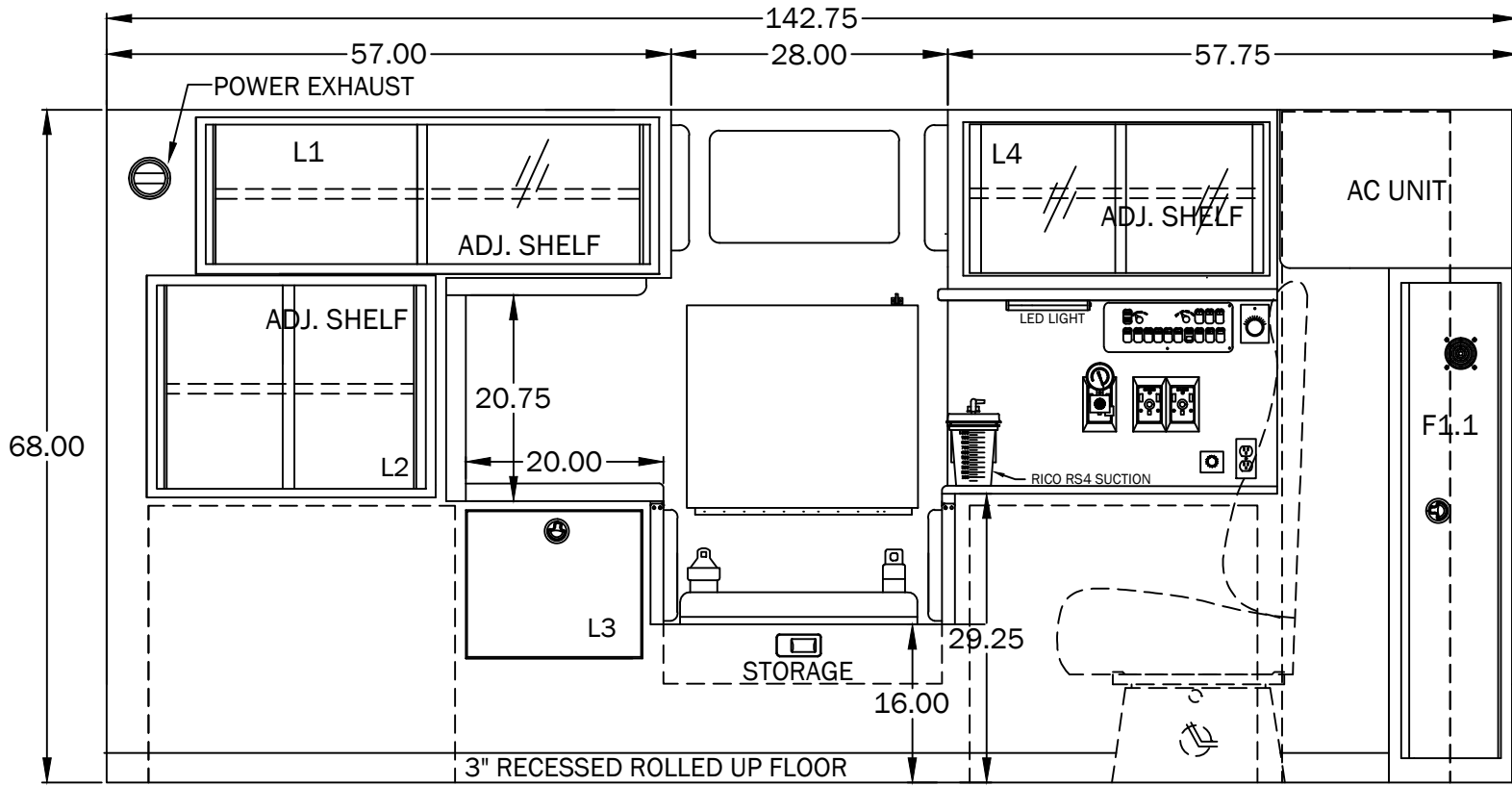
NO.	HEIGHT	WIDTH	DEPTH

Marque Ambulance 2737 FORSYTH RD, WINTER PARK, FL 32792
 PHONE: 888-999-2175

TYPE/MODEL/CHASSIS: TYPE 3 CHEVY 148 COMMANDO

DEALER/CUSTOMER: MASTER PRINT

REAR INT. ELEVATION	11/7/13	MM	05 of 08
---------------------	---------	----	----------



BE ADVISED THAT THESE ARE PRELIMINARY LAYOUTS INTENDED TO ILLUSTRATE DESIGN INTENT AND DIMENSIONS ARE FOR REFERENCE ONLY PRIOR TO FINAL ENGINEERING

CABINET SIZES INSIDE DIMENSIONS

NO.	HEIGHT	WIDTH	DEPTH
L1	15.50	45.00	19.75
L2	23.875	28.00	19.75
L3	15.00	18.00	19.75
L4	16.00	29.75	19.75

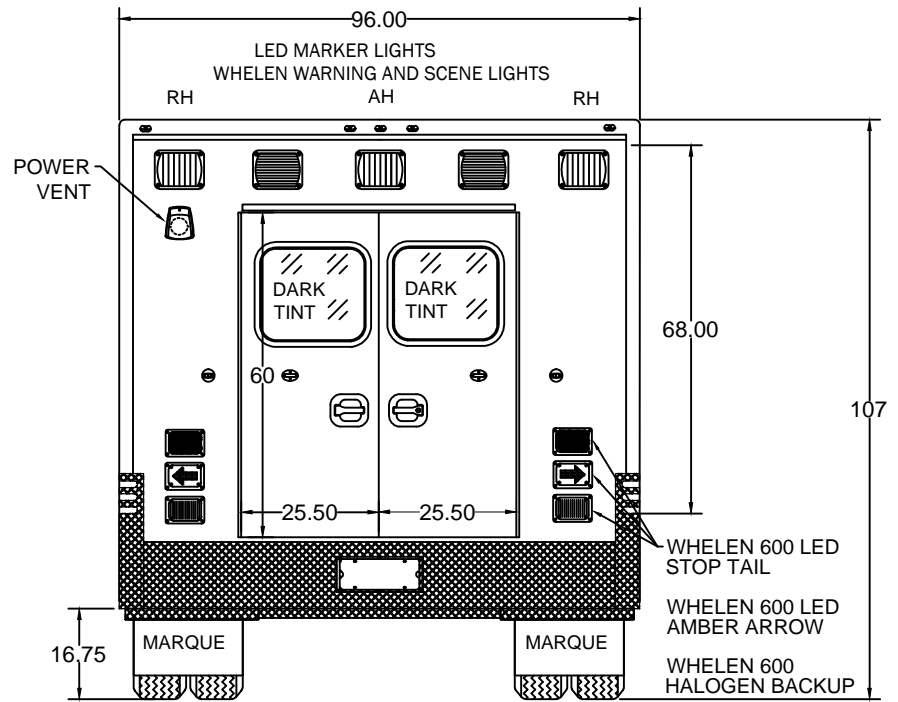
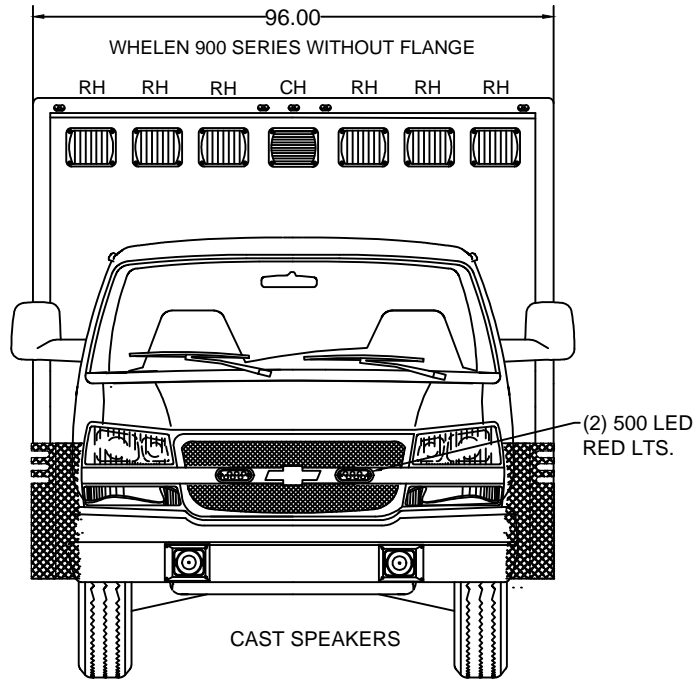
Marque Ambulance

2737 FORSYTH RD, WINTER PARK, FL 32792
PHONE: 888-999-2175

TYPE/MODEL/CHASSIS: TYPE 3 CHEVY 148 COMMANDO

DEALER/CUSTOMER: MASTER PRINT

REAR INT. ELEVATION 11/20/13 MM 06 of 08



BE ADVISED THAT THESE ARE PRELIMINARY LAYOUTS INTENDED TO ILLUSTRATE DESIGN INTENT AND DIMENSIONS ARE FOR REFERENCE ONLY PRIOR TO FINAL ENGINEERING

Marque Ambulance

2737 FORSYTH RD, WINTER PARK, FL 32792
PHONE: 888-999-2175

TYPE/MODEL/CHASSIS: TYPE 3 CHEVY 148 COMMANDO

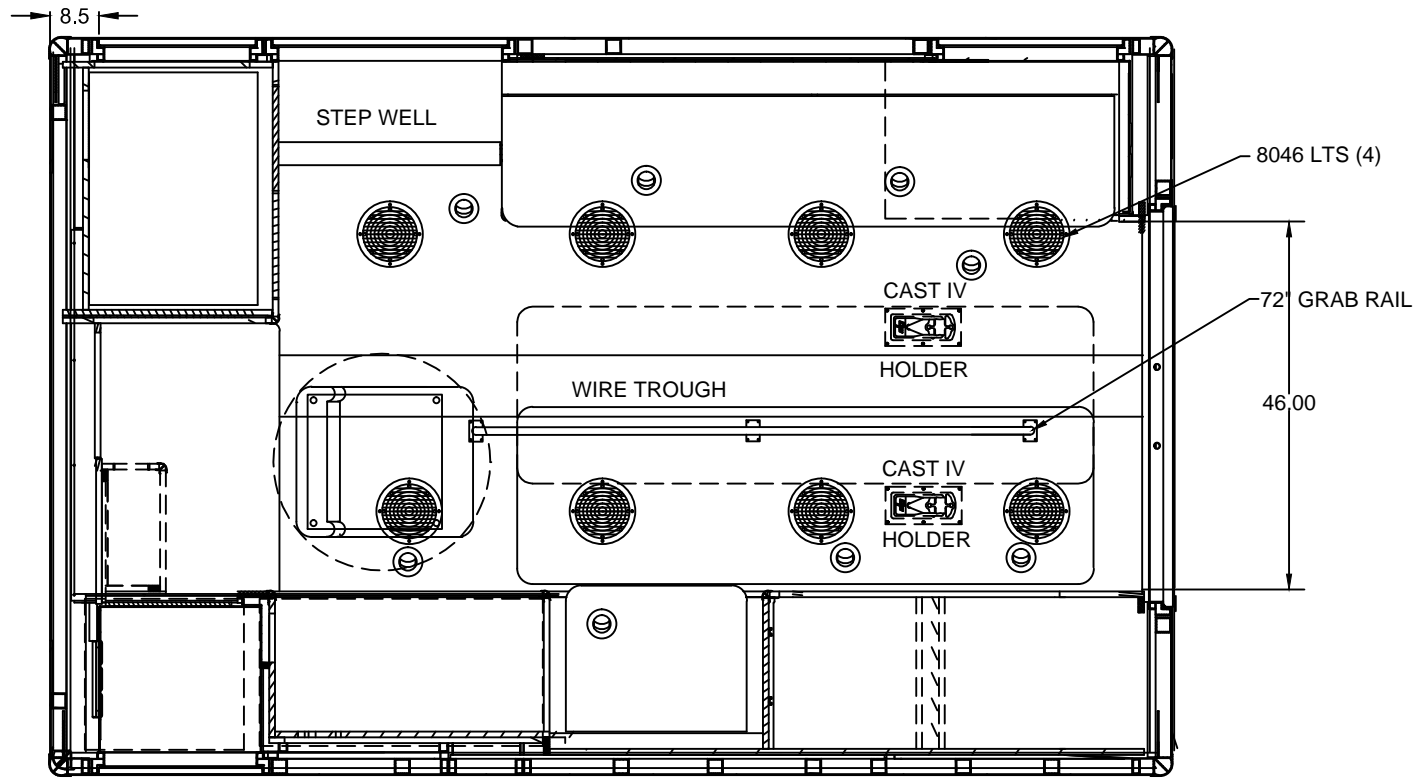
DEALER/CUSTOMER: MASTER PRINT

REAR INT. ELEVATION

11/7/13

MM

01 of 08



BE ADVISED THAT THESE ARE PRELIMINARY LAYOUTS INTENDED TO ILLUSTRATE DESIGN INTENT AND DIMENSIONS ARE FOR REFERENCE ONLY PRIOR TO FINAL ENGINEERING

CABINET SIZES INSIDE DIMENSIONS

NO.	HEIGHT	WIDTH	DEPTH

Marque Ambulance		2737 FORSYTH RD, WINTER PARK, FL 32792 PHONE: 888-999-2175	
TYPE/MODEL/CHASSIS: TYPE 3 CHEVY		148 COMMANDO	
DEALER/CUSTOMER: MASTER PRINT			
REAR INT. ELEVATION	11/7/13	MM	08 of 08