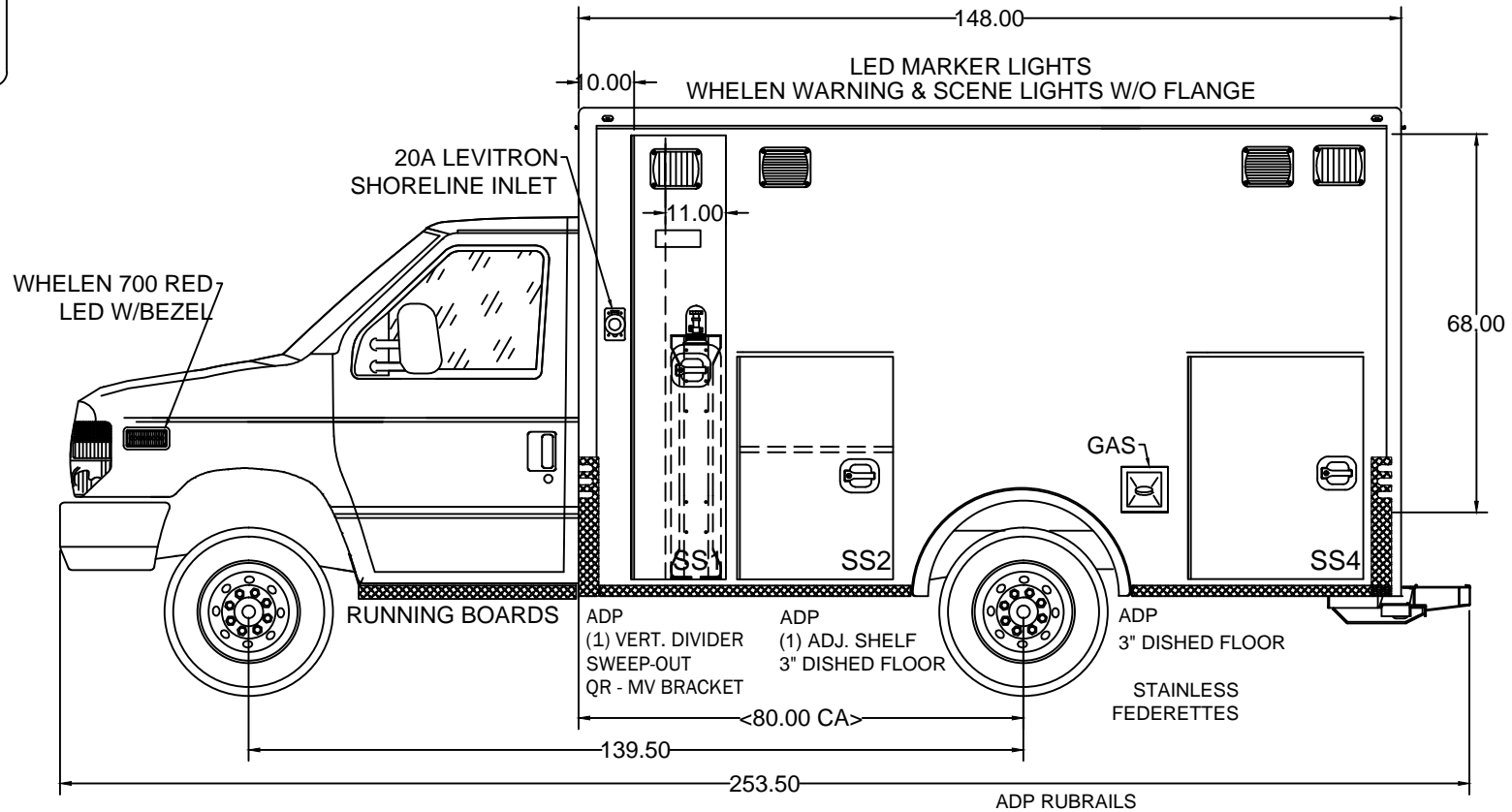


BE ADVISED THAT THESE ARE PRELIMINARY LAYOUTS  
 INTENDED TO ILLUSTRATE DESIGN INTENT AND DIMENSIONS  
 ARE FOR REFERENCE ONLY PRIOR TO FINAL ENGINEERING

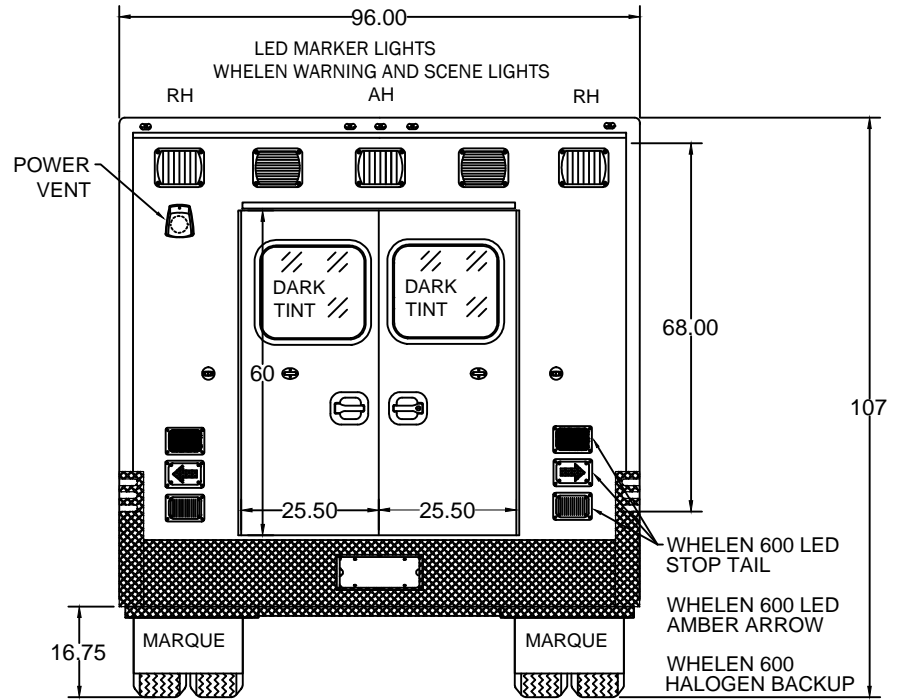
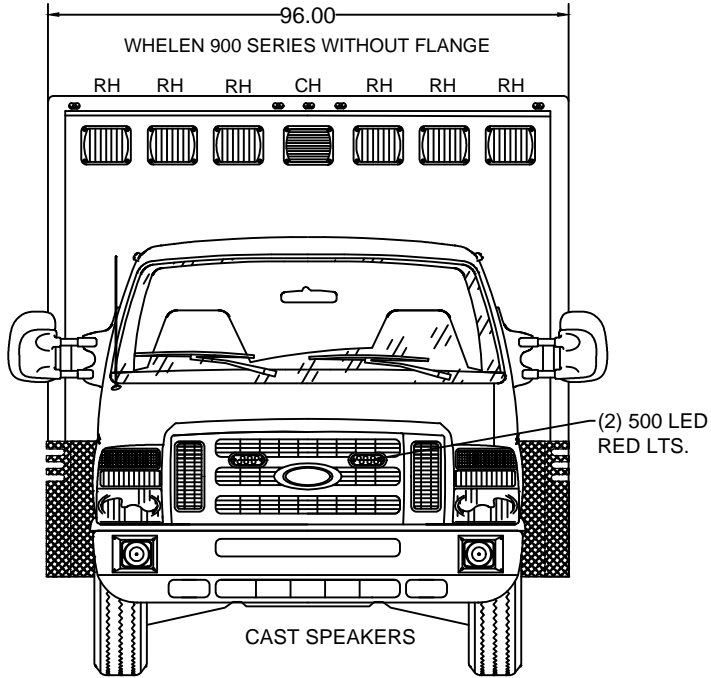
COMPARTMENT SIZES INSIDE DIMENSIONS				JAMB OPENING		<h2 style="margin: 0;">Marque Ambulance</h2> <small style="margin: 0;">2737 FORSYTH RD, WINTER PARK, FL 32792 PHONE: 888-999-2175</small>	
NO.	HEIGHT	WIDTH	DEPTH	HEIGHT	WIDTH		
CS5	24.00	33.00	20.00	23.00	32.25	TYPE/MODEL/CHASSIS: TYPE 3 FORD 148 COMMANDO DEALER/CUSTOMER: MASTER PRINT	
CS7	-	-	-	45.00	20.50		
CS8	13.00	22.00	20.00	13.00	20.50		
REAR INT. ELEVATION		11/7/13	MM	03 of 08			



BE ADVISED THAT THESE ARE PRELIMINARY LAYOUTS INTENDED TO ILLUSTRATE DESIGN INTENT AND DIMENSIONS ARE FOR REFERENCE ONLY PRIOR TO FINAL ENGINEERING

DIMENSIONS ROUNDED DOWN TO THE 1/4"

COMPARTMENT SIZES INSIDE DIMENSIONS				JAMB OPENING		<b>Marque Ambulance</b>		2737 FORSYTH RD, WINTER PARK, FL 32792 PHONE: 888-999-2175		
NO.	HEIGHT	WIDTH	DEPTH	HEIGHT	WIDTH					
SS1	79.00	15.75	20.00	79.00	15.75	TYPE/MODEL/CHASSIS: TYPE 3 FORD 148 COMMANDO		DEALER/CUSTOMER: MASTER PRINT		
SS2	41.50	28.25	20.00	39.00	26.75	REAR INT. ELEVATION		11/7/13	MM	02 of 08
SS4	41.50	31.75	20.00	39.00	30.25					



BE ADVISED THAT THESE ARE PRELIMINARY LAYOUTS INTENDED TO ILLUSTRATE DESIGN INTENT AND DIMENSIONS ARE FOR REFERENCE ONLY PRIOR TO FINAL ENGINEERING

## Marque Ambulance

2737 FORSYTH RD, WINTER PARK, FL 32792  
PHONE: 888-999-2175

TYPE/MODEL/CHASSIS: TYPE 3 FORD 148 COMMANDO

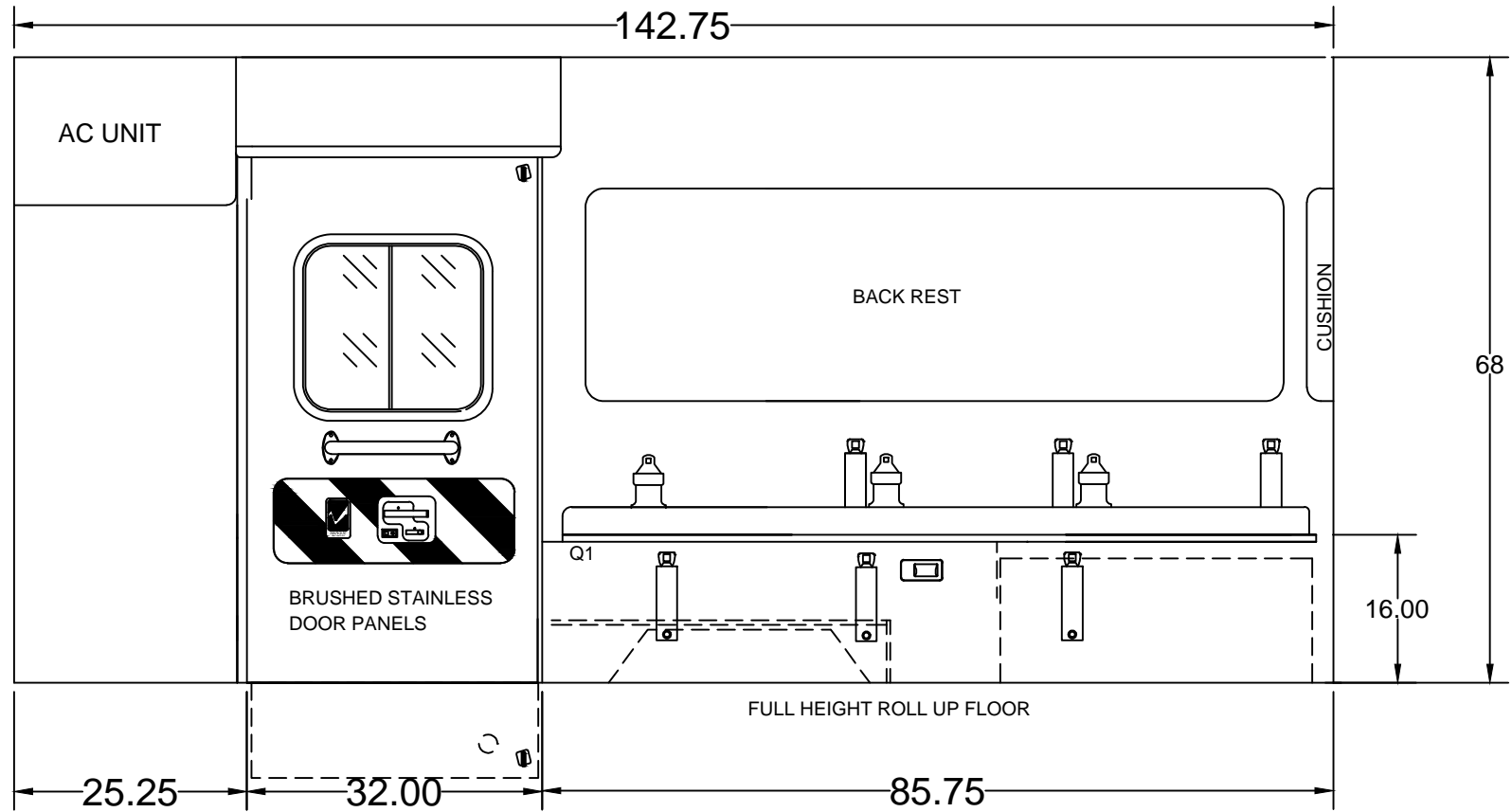
DEALER/CUSTOMER: MASTER PRINT

REAR INT. ELEVATION

11/7/13

MM

01 of 08

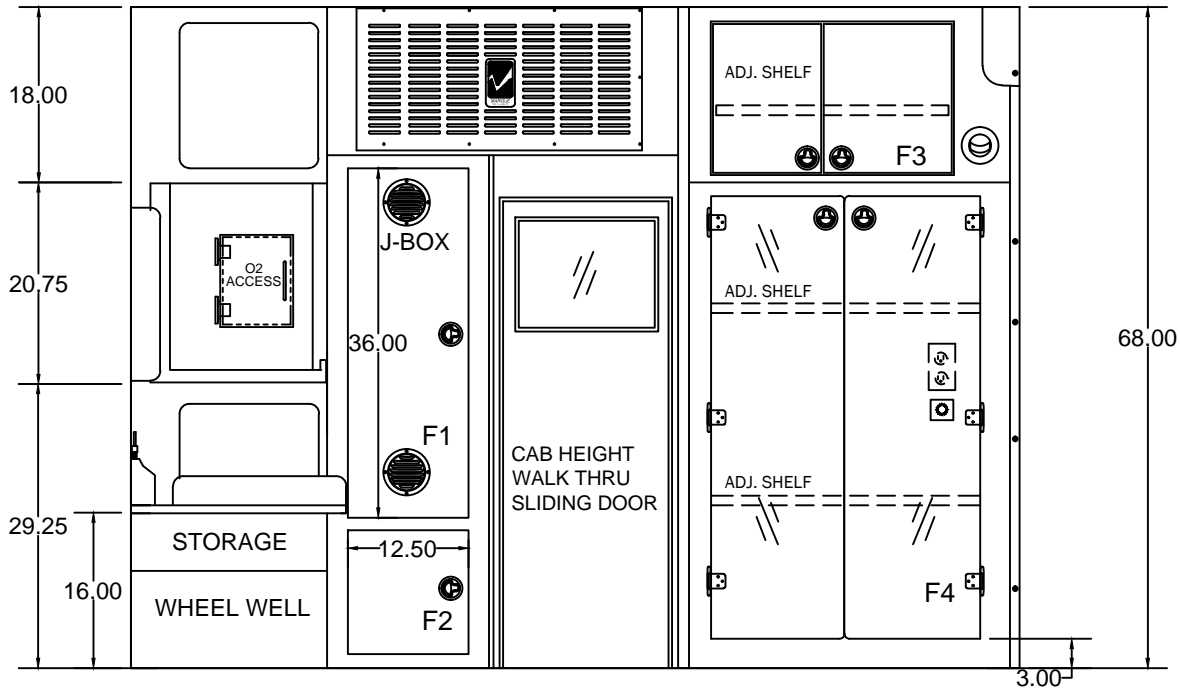


BE ADVISED THAT THESE ARE PRELIMINARY LAYOUTS INTENDED TO ILLUSTRATE DESIGN INTENT AND DIMENSIONS ARE FOR REFERENCE ONLY PRIOR TO FINAL ENGINEERING

**CABINET SIZES INSIDE DIMENSIONS**

NO.	HEIGHT	WIDTH	DEPTH

<b>Marque Ambulance</b>		2737 FORSYTH RD, WINTER PARK, FL 32792 PHONE: 888-999-2175	
TYPE/MODEL/CHASSIS: TYPE 3 FORD 148 COMMANDO			
DEALER/CUSTOMER: MASTER PRINT			
REAR INT. ELEVATION	11/7/13	MM	07 of 08



BE ADVISED THAT THESE ARE PRELIMINARY LAYOUTS INTENDED TO ILLUSTRATE DESIGN INTENT AND DIMENSIONS ARE FOR REFERENCE ONLY PRIOR TO FINAL ENGINEERING

**CABINET SIZES INSIDE DIMENSIONS**

NO.	HEIGHT	WIDTH	DEPTH
F1	36.75	13.00	12.00
F2	13.50	13.00	12.00
F3	16.50	32.25	23.25
F4	46.25	32.25	23.25

DIMENSIONS ARE ROUNDED DOWN TO THE CLOSEST 1/4 INCH

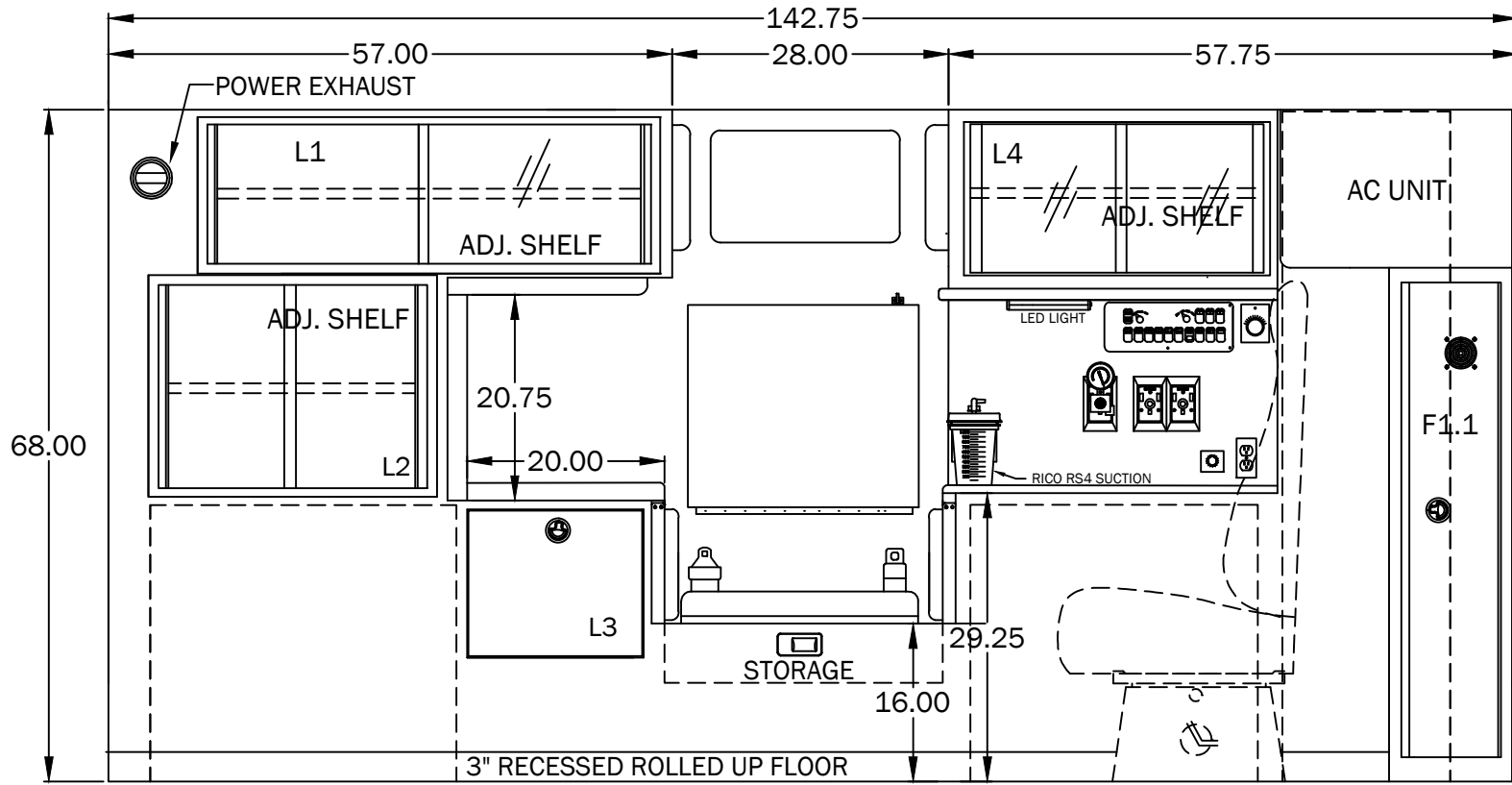
**MARQUE AMBULANCE**

2737 FORSYTH RD, WINTER PARK, FL 32792  
PHONE: 888-999-2175

TYPE/MODEL/CHASSIS: TYPE 3 FORD 148 COMMANDO

DEALER/CUSTOMER: MASTER PRINT

FRONT INT. ELEVATION | 12-02-13 | MM | 04 OF 08



BE ADVISED THAT THESE ARE PRELIMINARY LAYOUTS INTENDED TO ILLUSTRATE DESIGN INTENT AND DIMENSIONS ARE FOR REFERENCE ONLY PRIOR TO FINAL ENGINEERING

**CABINET SIZES INSIDE DIMENSIONS**

NO.	HEIGHT	WIDTH	DEPTH
L1	15.50	45.00	19.75
L2	23.875	28.00	19.75
L3	15.00	18.00	19.75
L4	16.00	29.75	19.75

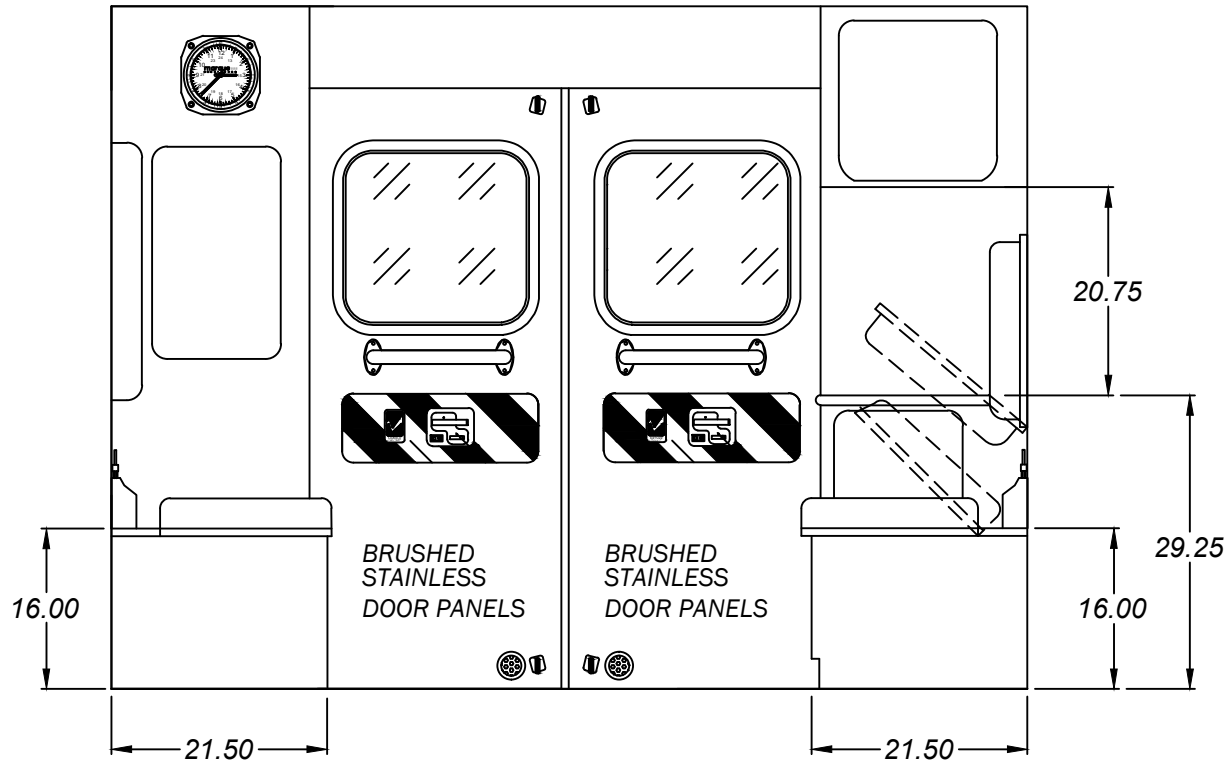
**Marque Ambulance**

2737 FORSYTH RD, WINTER PARK, FL 32792  
PHONE: 888-999-2175

TYPE/MODEL/CHASSIS: TYPE 3 FORD 148 COMMANDO

DEALER/CUSTOMER: MASTER PRINT

REAR INT. ELEVATION      11/20/13      MM      06 of 08



BE ADVISED THAT THESE ARE PRELIMINARY LAYOUTS  
 INTENDED TO ILLUSTRATE DESIGN INTENT AND DIMENSIONS  
 ARE FOR REFERENCE ONLY PRIOR TO FINAL ENGINEERING

**CABINET SIZES INSIDE DIMENSIONS**

NO.	HEIGHT	WIDTH	DEPTH

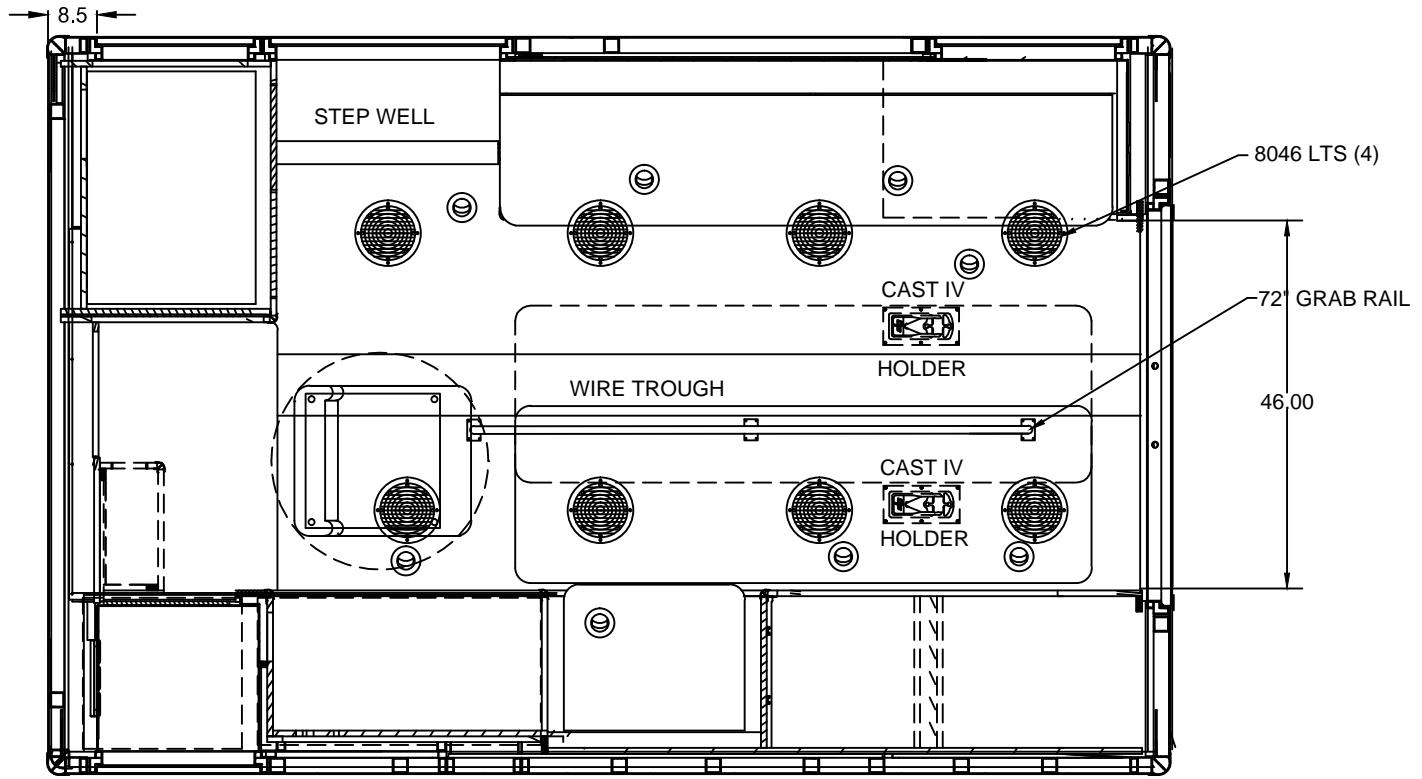
**Marque Ambulance**

2737 FORSYTH RD, WINTER PARK, FL 32792  
 PHONE: 888-999-2175

TYPE/MODEL/CHASSIS: TYPE 3 FORD 148 COMMANDO

DEALER/CUSTOMER: MASTER PRINT

REAR INT. ELEVATION 11/7/13 MM 05 of 08



BE ADVISED THAT THESE ARE PRELIMINARY LAYOUTS INTENDED TO ILLUSTRATE DESIGN INTENT AND DIMENSIONS ARE FOR REFERENCE ONLY PRIOR TO FINAL ENGINEERING

**CABINET SIZES INSIDE DIMENSIONS**

NO.	HEIGHT	WIDTH	DEPTH

**Marque Ambulance**

2737 FORSYTH RD, WINTER PARK, FL 32792  
PHONE: 888-999-2175

TYPE/MODEL/CHASSIS: TYPE 3 FORD 148 COMMANDO

DEALER/CUSTOMER: MASTER PRINT

REAR INT. ELEVATION | 11/7/13 | MM | 08 of 08