

INSTALLATION INSTRUCTIONS

MODEL: 40025 BIKE STORAGE HOIST

THANK YOU FOR YOUR PURCHASE. We take a **SATISFACTION GUARANTEED** approach to our products and our business, if you are not satisfied in any way, or if we can provide you with assistance or information, PLEASE call us TOLL FREE at 800-346-7332 or e-mail us at contactus@mygearup.com.

The GEARUP™ Up & Away Bike Hoist is designed to hold one bicycle, and other items of similar dimensions and weight that can be safely secured using the existing lift hook set up.

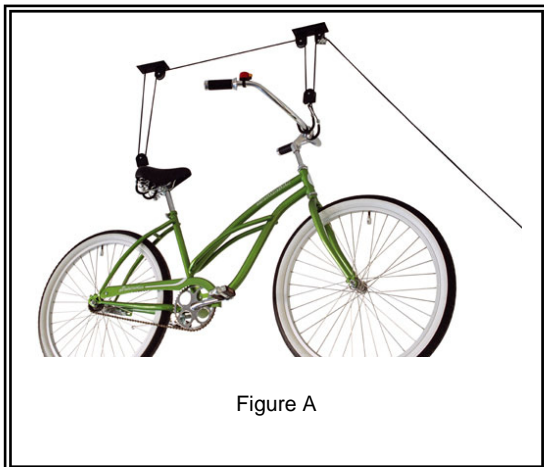


Figure A

Bill of Material:

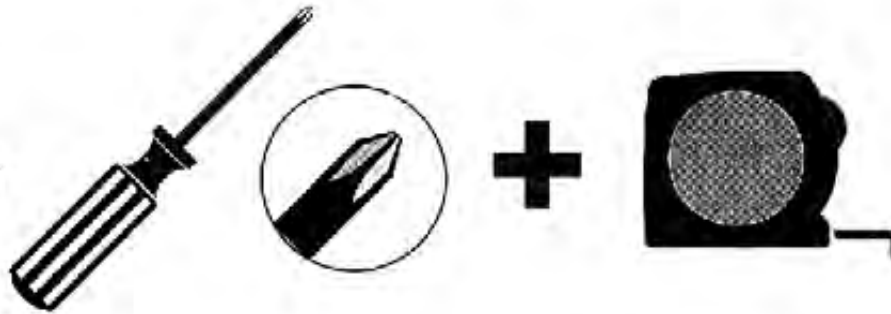
| | | | |
|----|--------|-------------------------------------|---|
| A. | 40025C | Front Pulley w/LOC Mechanism | 1 |
| B. | 40025D | Back Pulley | 1 |
| C. | 40025E | Hoist Lifting Hook Set | 2 |
| D. | 40025F | Hoist Rope | 1 |
| E. | 40025G | Hoist Rope Tie Off Cleat | 1 |
| F. | 40025H | Hoist Phillips Head Screw 2" Silver | 6 |
| G. | 40025J | Hoist Phillips Head 2" Screw Gold | 2 |

SAFETY NOTICE

READ BEFORE INSTALLING AND USE

1. **BEFORE DRILLING & INSTALLING** mounting hardware – **BE SURE NO** electrical, gas, water, or other obstructions will be interfered or damaged. **NOTE:** Drilling into electrical or gas lines can result in serious injury, death, and/or fire. If unsure of the exact location of these obstructions, seek Professional help.
2. **DO NOT INSTALL** over personnel, work areas, and/or walkways.
3. **BEFORE INSTALLING** – **BE SURE** structure where Hoist System is to be attached is **ADEQUATE** enough to support the Hoist and the load(s) to be lifted. If unsure, seek Professional help.
4. **BEFORE LIFTING** – **BE SURE** the item's total weight falls within the stated weight restriction of 50 pounds.
5. **BEFORE LIFTING** – **BE SURE** weight of the load is evenly distributed between both lifting hooks.
6. **BEFORE LIFTING** – **BE SURE** no personnel and/or animals are under or near the load to be lifted.
7. **BEFORE LIFTING** – **BE SURE** the lifting hooks are fully attached to the bicycle as shown in **FIG A**.
8. **BEFORE LIFTING** – perform visual check of the Hoist System ensuring it is firmly attached to the ceiling.
9. **BEFORE LIFTING** – perform visual check of the rope. **DO NOT USE** if the rope shows signs of wear. **REPLACE ROPE** at first sign of wear or at least once annually.
10. **MAXIMUM WEIGHT** capacity is 50 pounds (25 pounds per each lifting hook set).
11. The Bike Hoist is designed for indoor use **ONLY**.

- Tools Required:**
- Phillips screwdriver
 - Measuring tape



Mounting Instructions

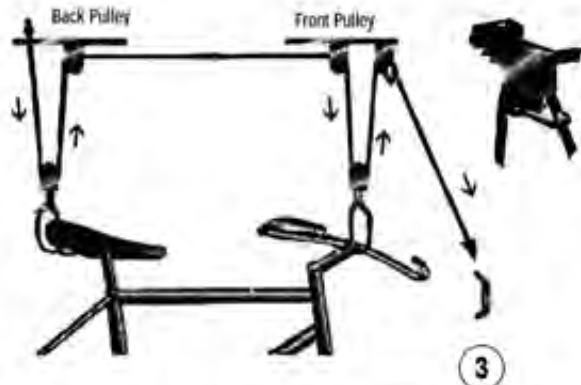
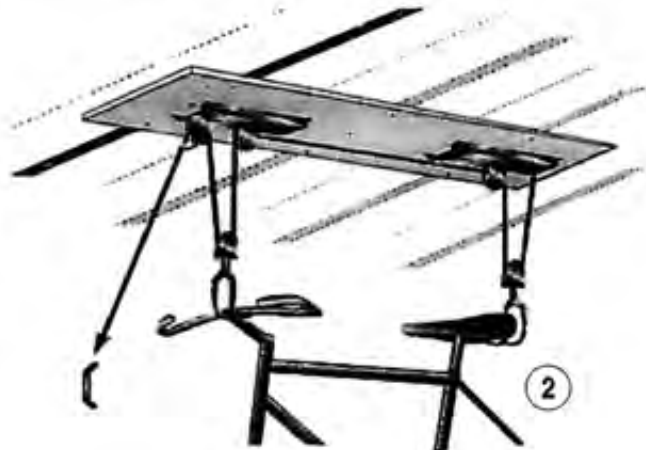
For best results mount the lift assemblies so the hooks are directly above the seat and handlebar. If you wish, you can mount the entire assembly to a board then mount the board to ceiling joists.



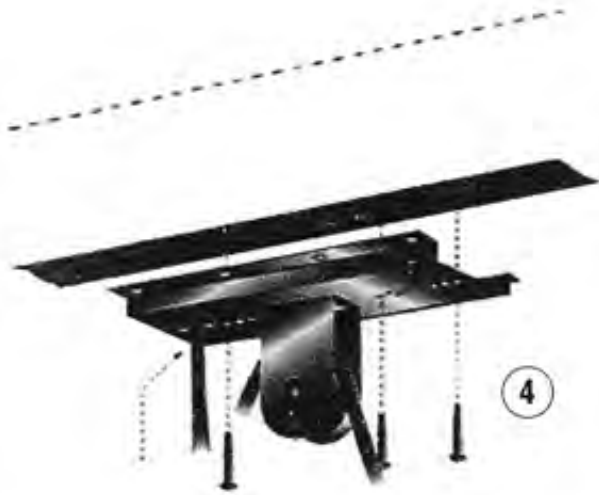
1. Measure the distance between the handlebars and the back of the seat. This is where the hooks will attach to the bike. These measurements will be transferred to the ceiling or a board.

2. Locate a ceiling joist. If your ceiling is covered with drywall, look for nail props, irregularities, and fixtures. These are clues to locating joists. Use a small nail or screwdriver to run a pilot hole into the ceiling to ensure that you've located a joist. Once a joist is located, measure from the wall to the joist. Transfer your seat/handlebar measurement along the joist so the lift attachments line up. If you are planning to mount the lift assemblies in the opposite direction of the joists, you will need to mount the lift assemblies to a board and attach the board to two joists as shown.

It is imperative that you *read* and *comply* with these instructions. Failure to do so could result in personal injury or damage to property.



3. Tie a double knot on rope end. Feed rest of rope through square hole on lift assembly. Continue threading the rope through the lift assembly pulleys and hook assembly pulleys as shown.



4. Using the wood screws provided, mount each of the lift assemblies (3 screws each) to the ceiling ensuring that the hooks line up with your handlebar/seat measurements.

5. Use the remaining 2 wood screws to mount the rope cleat to the wall. Again you will need to find a stud to mount the cleat. Use wall anchors if mounting into a hollow surface. Wall anchors can be found at most hardware stores and home centers. Do not cut rope! Use cleat for excess.



Using the Bike Hoist

Lower the hooks over the bike handlebar and seat. Ensure that the ropes are not twisted. Lift the bike onto the hooks. The bike can then be raised to the ceiling by pulling the rope. Anytime the rope is released the rope lock will engage preventing the bike from falling. For safety, tie off the rope on the cleat and wind the excess rope around it.

Lowering Your Bike

Pull rope towards back pulley maintaining tension on rope (see figure below). Slowly let the rope out as the bike lowers. Letting the rope out too fast will engage the rope lock. When the bike is down remove it from the hooks and raise the hooks to the ceiling. Store excess rope around the rope cleat.

WARNING

DO NOT STEP, CLIMB, OR HANG ON THE STORAGE RACK

DO NOT ALLOW SMALL CHILDREN OR PETS TO PLAY IN, ON, OR AROUND THE STORAGE RACK. IMPROPER INSTALLATION AND/OR USE OF THE STORAGE RACK COULD CAUSE SERIOUS INJURY AND/OR DEATH.

User assumes total responsibility for the proper installation and use of this product. GearUp Inc. will not be held liable for damages or injuries resulting from the installation and/or use of this product. If the installer or user is unsure of the requirements described herein, it is his/her responsibility to seek adequate professional assistance or contact our customer care center at 800-346-7332. **REMEMBER** – stored items can fall resulting in injuries and/or property damage when not properly installed or used.

THANK YOU again for your purchase. We have worked hard to make sure the product you purchased is of top quality and that all parts and necessary instructions have been included. If we have overlooked anything, or if we can be of assistance, help walk you through installation, or offer tips on how to use our product, **PLEASE** give us a call on our **Toll Free Customer Hotline 800-346-7332. YOUR SATISFACTION IS OUR TOP PRIORITY.**

Visit us at our web site www.mygearup.com for other storage solutions and special offerings.