



13912 SW U.S. Highway 54
 Andover, Kansas 67002
 Telephone: 800-346-7332
 Web: www.mygearup.com

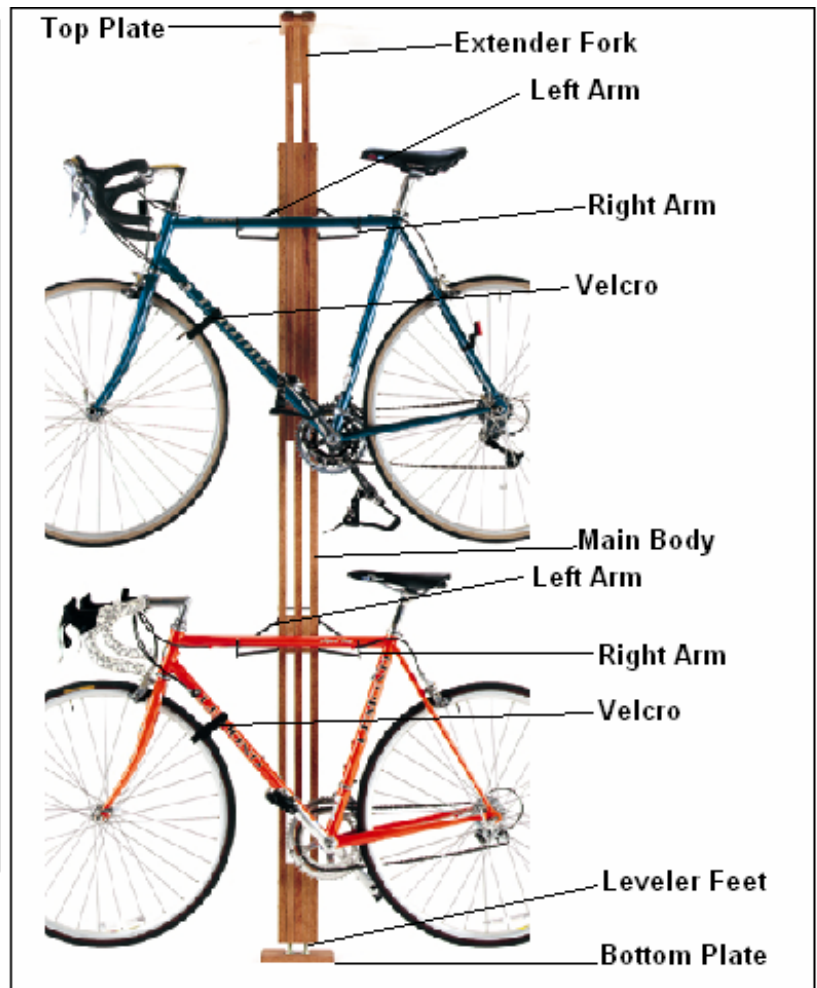
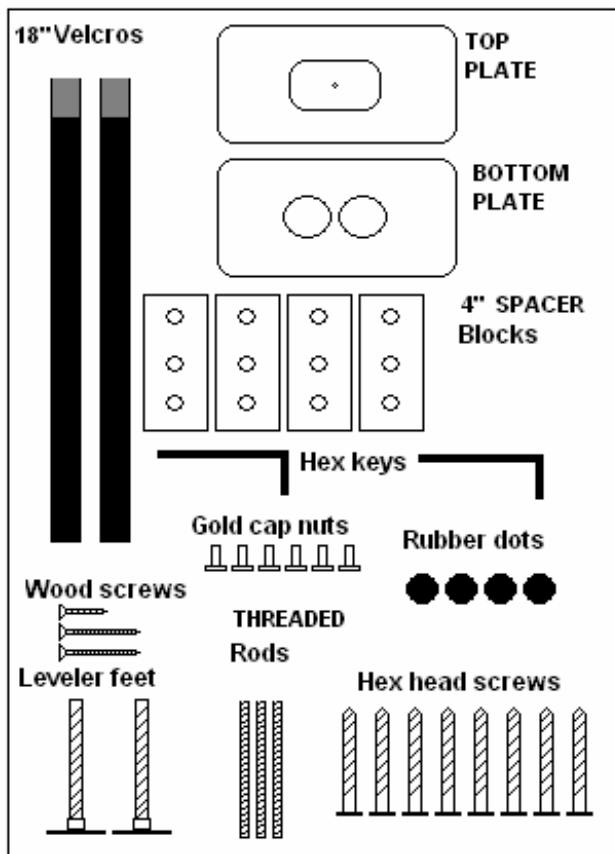
INSTALLATION INSTRUCTIONS

MODEL: 20095 OAK FLOOR-TO-CEILING BICYCLE STORAGE SYSTEM

THANK YOU FOR YOUR PURCHASE. We take a **SATISFACTION GUARANTEED** approach to our products and our business, if you are not satisfied in any way, or if we can provide you with assistance or information, PLEASE call us TOLL FREE at 800-346-7332 or e-mail us at contactus@mygearup.com.

THE OAK FLOOR-TO-CEILING Bicycle Storage system comes equipped to store 2 standard two wheel bicycles of any frame design. Two additional bicycles can be stored with the purchase of OAK Add-On Kits model 20080. Each Add-On Kit holds one bicycle.

Please read these instructions in full BEFORE ASSEMBLY. Assistance is required to install and secure this product.



STEP ONE



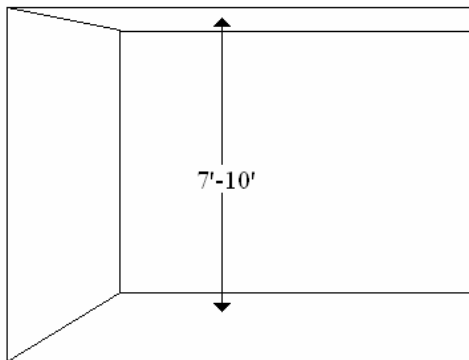
Attach top plate to extender fork with 1- short wood screw and apply compression foam dots in all four corners as shown.

STEP TWO



Insert the 2-leveler feet into the threaded metal inserts in bottom of the main body. Thread them approx. $\frac{3}{4}$ of the way in.

STEP THREE



measure height of the ceiling where model 20095 will be installed.

STEP FOUR



Insert extender fork into main body section as shown. Adjust total length (from top of top plate to bottom of leveler feet) to less than 1" of the actual ceiling height as measured in step 3. Secure the extender fork and the main body sections together using 2 threaded rods and 4 gold cap nuts. For maximum stability insert one rod in the top hole of main body and the other in the bottom hole in the extender fork. Tighten securely using the 2 hex keys provided.

STEP FIVE



*** IMPORTANT* install bicycle rack directly below ceiling beam. Stand rack upright and place bottom plate under leveler feet. unscrew 2-leveler feet until rack is against ceiling. Check rack for vertical placement (carpenters level is recommended for this). Using 8mm wrench or adjustable wrench, unscrew leveler feet equally until there is sufficient tension on rack. (OPTIONAL) Using 2-long wood screws, attach top plate to ceiling.**

STEP SIX



Position left arm at desired height and attach 2-hex head screws through arm, main body, and into 4" spacer block. Repeat step six for all arms.

Arms may be off set to assure bikes with slant frame or y-frames will hang parallel to the floor.

STEP SEVEN



Using black Velcro strap, secure front wheels as shown in picture.

Add versatility to your Oak Storage Rack. Check out our most popular accessory!



22019 Sports basket is great for gear like shoes, water bottles, and helmets

Thanks again for choosing Gear Up Inc. for your active storage needs. Visit our web site at www.mygearup.com for other storage solutions.

WARNING

DO NOT STEP, CLIMB, OR HANG ON THE STORAGE RACK

DO NOT ALLOW SMALL CHILDREN OR PETS TO PLAY IN, ON, OR AROUND THE STORAGE RACK. IMPROPER INSTALLATION AND/OR USE OF THE STORAGE RACK COULD CAUSE SERIOUS INJURY AND/OR DEATH.

User assumes total responsibility for the proper installation and use of this product. GearUp Inc. will not be held liable for damages or injuries resulting from the installation and/or use of this product. If the installer or user is unsure of the requirements described herein, it is his/her responsibility to seek adequate professional assistance or contact our customer care center at 800-346-7332. **REMEMBER** – stored items can fall resulting in injuries and/or property damage when not properly installed or used.

THANK YOU again for your purchase. We have worked hard to make sure the product you purchased is of top quality and that all parts and necessary instructions have been included. If we have overlooked anything, or if we can be of assistance, help walk you through installation, or offer tips on how to use our product, **PLEASE** give us a call on our **Toll Free Customer Hotline 800-346-7332**.

YOUR SATISFACTION IS OUR TOP PRIORITY!

Visit us at our web site www.mygearup.com for other storage solutions and special offerings.