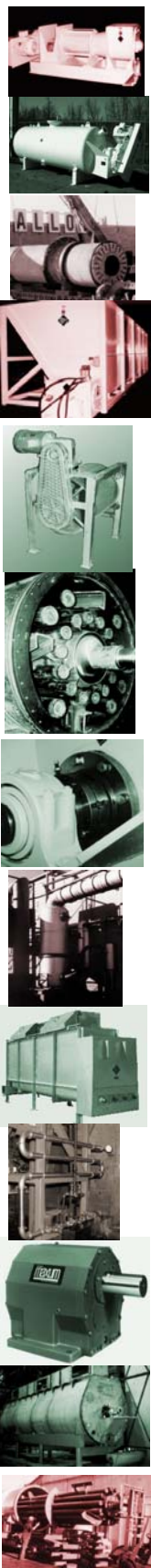




DRUM SCALPER SCREEN



EFFECTIVE AND EFFICIENT:

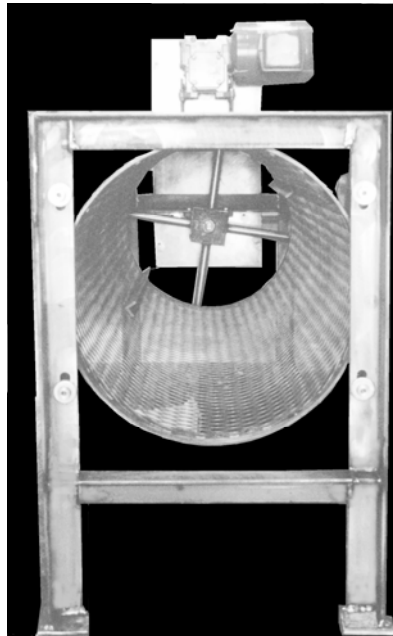
The Scalper Screen removes a broad variety of “tramp” materials; including ferrous and non-ferrous metals, picker fingers, gloves and other similar items.

EASY TO INSTALL AND OPERATE:

The Alloy Drum Scalper Screen is as easy to install as it is to operate. The pitch required by the equipment is built into the stand permitting users to run electrical, bring feed and discharge conveyors to the screen, bolt the unit to the floor and begin processing.

DURABLE:

The Drum Screen is stainless steel in all contact areas. This coupled with its heavy duty frame assure years of service.



LOW OPERATING EXPENSE:

The Alloy Drum Screen uses a fractional one half horsepower motor, making operating expense negligible. Add this to the heavy duty construction of the screen in corrosion resistant materials and you have an investment which will last for years.

- ◆ *Easy to Install*
- ◆ *Effective*

- ◆ *Simple to Use*
- ◆ *Low Maintenance*

ALLOY HARDFACING & ENG. CO., INC.

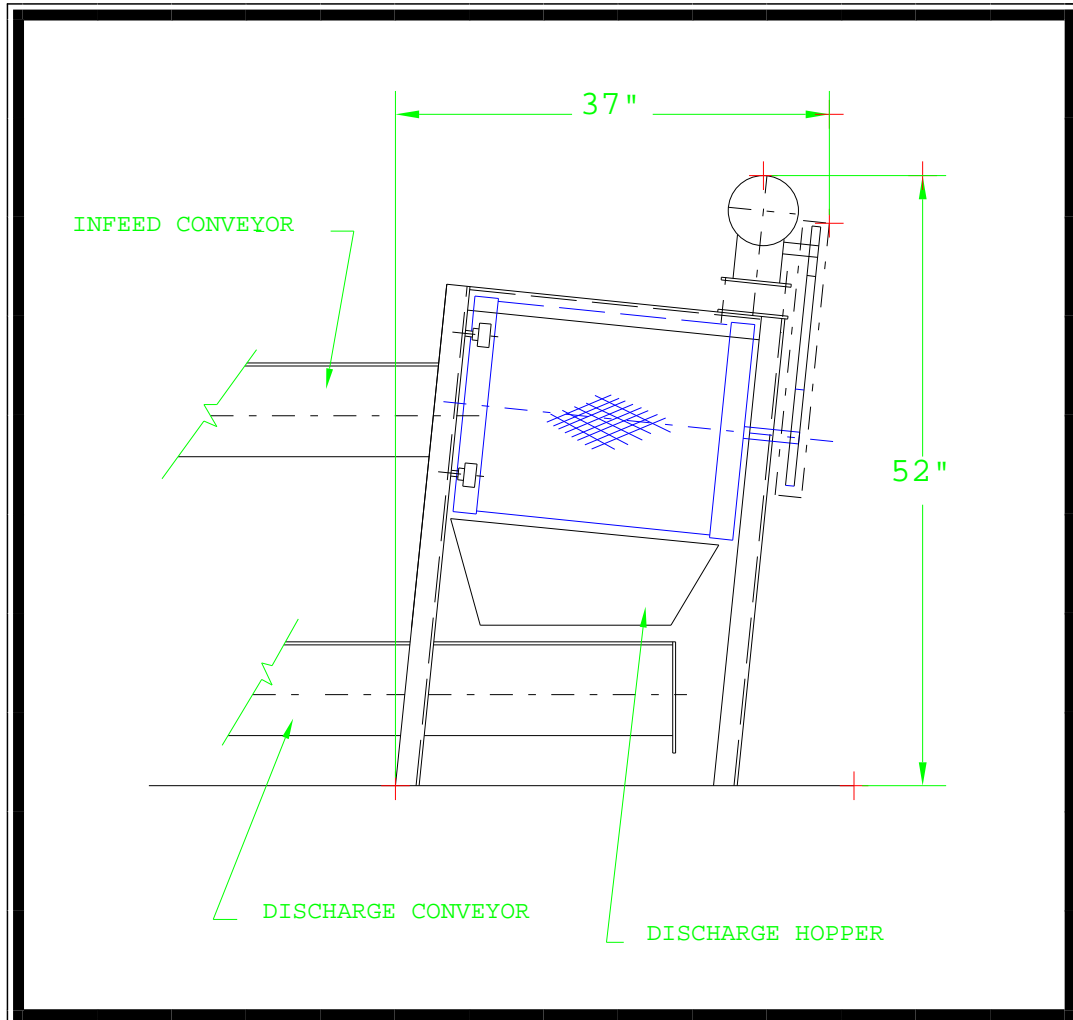
20425 Johnson Memorial Drive
Jordan, MN 55352

800-328-8408 or 952-492-5569 Fax: 952-492-3100

Online: www.alloyhardfacing.com

Email: msa@alloyhardfacing.net

Drum Scalper Screen



Typical Installation

ALLOY HARDFACING & ENGINEERING CO. INC.
20425 Johnson Memorial Drive
Jordan, MN 55352

Phone: 800-328-8408

Fax: 952-492-3100