



ALLOY HARDFACING & ENGINEERING CO. INC.
20425 Johnson Memorial Drive, Jordan, MN USA 55352
Voice: 952-492-5569 Fax: 952-492-3100

Company Information:

Company Name: _____

Address 1 _____

Address 2 _____

Contact Information:

Company Contact Name: _____

Contact Phone #: _____

Contact Fax #: _____

Contact email Address: _____

Equipment Information:

Type of Equipment _____

Brand of Equipment _____

Manufacturer of Equipment _____

Agitator / Rock Arm Yes No _____

Process Information:

What are we sealing:

Water Yes No _____

Hexane Yes No _____

Chemicals: (specify) Yes No _____

Are any of the Products:

Combustible _____

Explosive _____

Dangerous/ Hazardous _____

Maximum Process Pressure: _____

Minimum Process Pressure: _____

Process is:

Batch _____

Continuous _____

Maximum Temperature: _____

Minimum Temperature: _____

Process pH

Maximum _____

Minimum\ _____

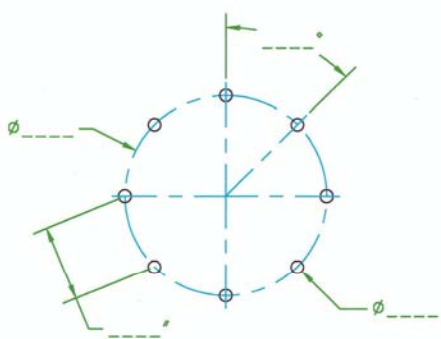
Materials of Construction Desired

Carbon Steel _____

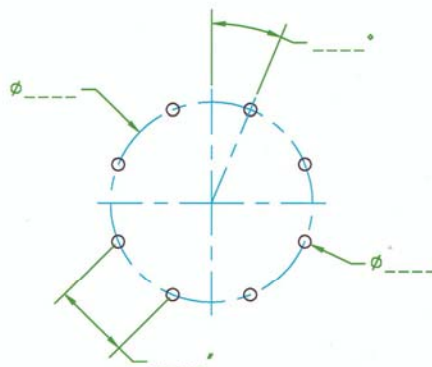
Stainless Steel _____



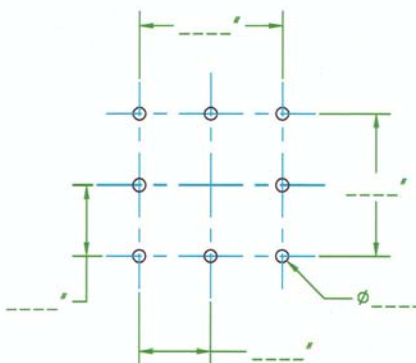
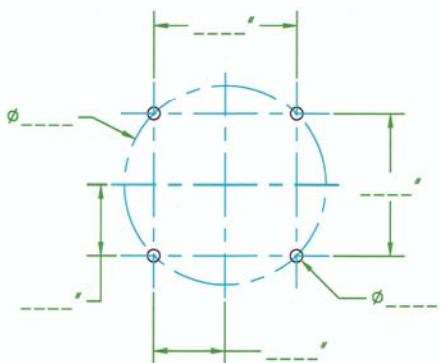
ALLOY HARDFACING & ENGINEERING CO. INC.
20425 Johnson Memorial Drive, Jordan, MN USA 55352
Voice: 952-492-5569 Fax: 952-492-3100



MSEAL_BOLT PATTERN 1 . Bmp



MSEAL_BOLT PATTERN 2 . Bmp



Place an "X" in the box of the picture that most closely represents your bolt pattern, or describe below.

"A" Diameter of the Bolt Circle:

"B" Hole Size

Stud / Bolt Diameter

Stud / Bolt Length

Quantity of Holes

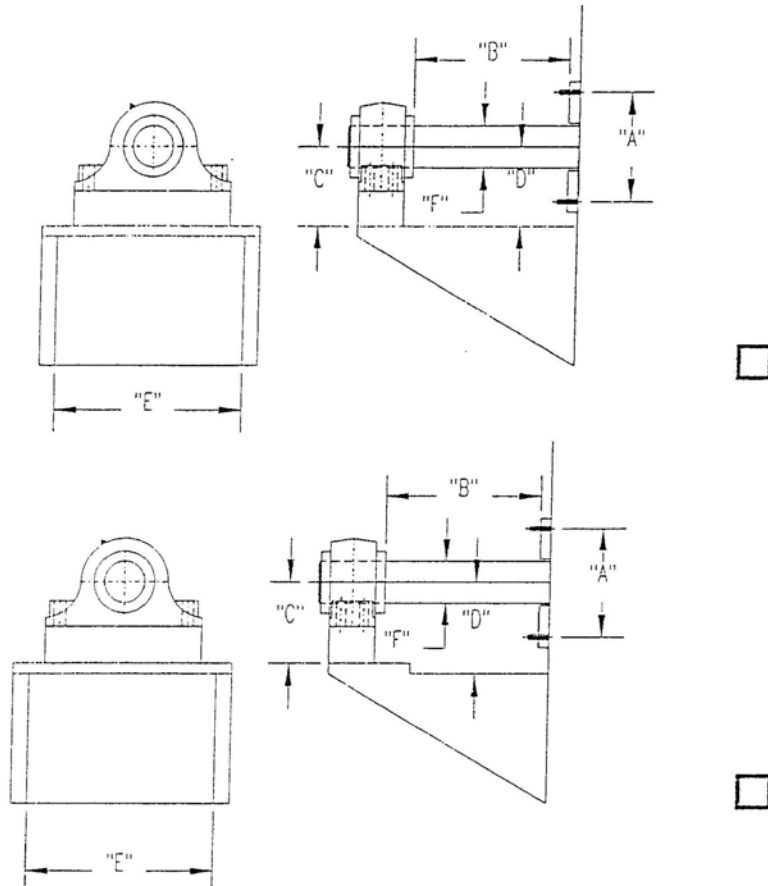
"C" Reference Angle to First Hole

"D" Horizontal Distance from Center to First Hole

"E" Vertical Distance from Center to First Hole



ALLOY HARDFACING & ENGINEERING CO. INC.
20425 Johnson Memorial Drive, Jordan, MN USA 55352
Voice: 952-492-5569 Fax: 952-492-3100



Place an "X" in the box of the picture that most closely represents your bearing support, or describe below.

"A" Diameter of the Bolt Circle: _____

"B" Distance from Bearing to Wall _____

"C" Distance from Center Line of Shaft to Bearing Support _____

"D" Distance to Bearing Support if Different from "C" _____

"E" Distance Between Bearing Supports _____

"F" Diameter of the Shaft _____

Bearing Information:

Manufacturer _____

Model Number _____

Part Number _____

Can Bearing be moved vertically? _____

How Far _____

Can Bearing be moved Horizontally? _____

How Far _____