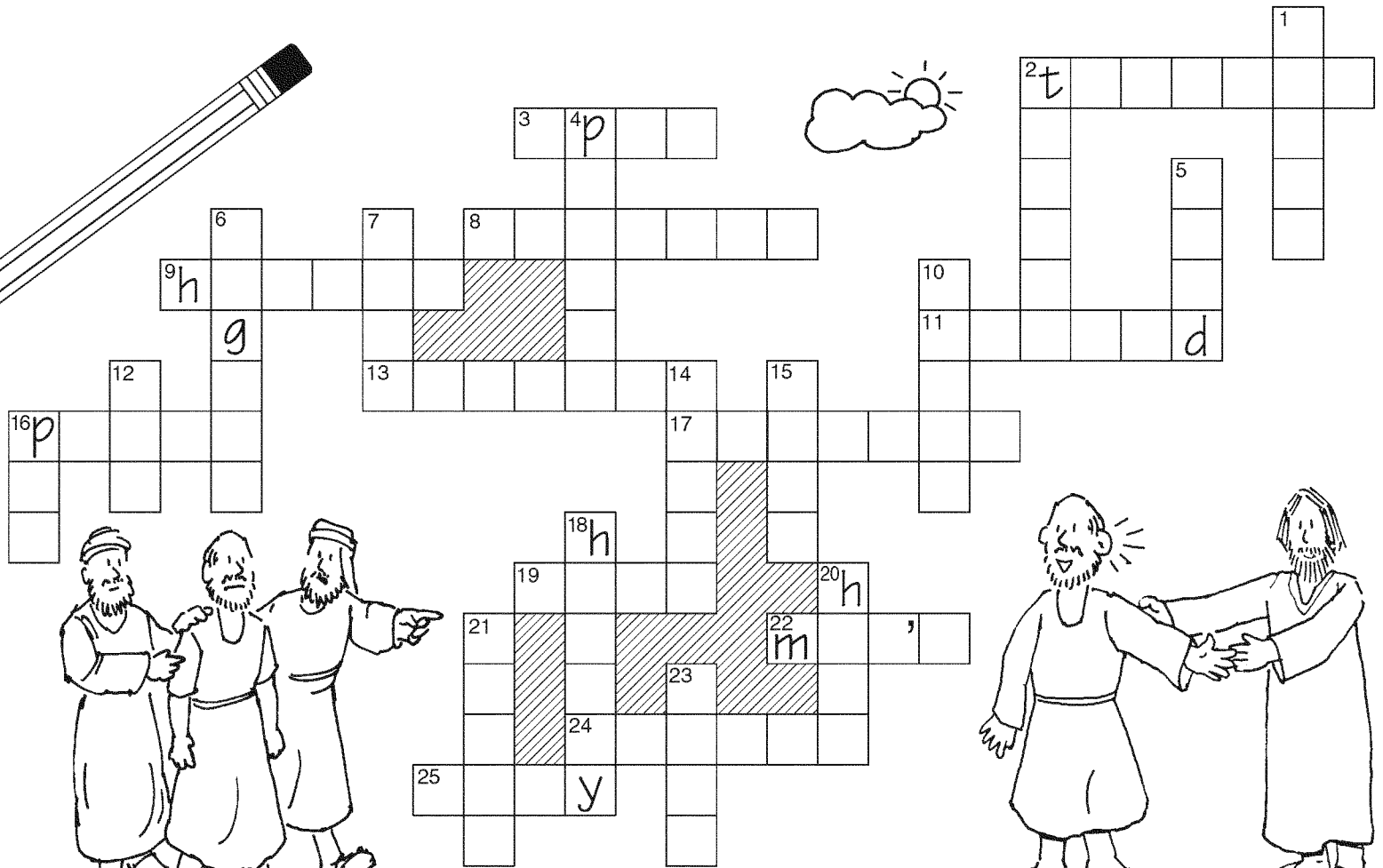
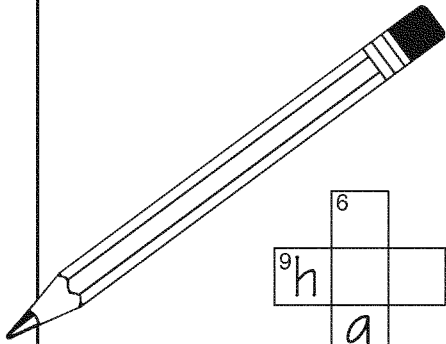


Fit the words in the puzzle. Transfer the letters to the story.

man crowd
 put speak
 deaf people
 talk hardly
 hand begged
 took tongue
 away looked
 man's heaven
 ears opened
 spit brought
 said fingers
 Jesus plainly
 could touched
 place



Some 4) _____ 8) _____ a 12) _____ to 1) _____ who was 7) _____ and 10) _____
 18) _____ 19) _____. They 6) _____ Him to 16A) _____ His 20) _____ on the 12) _____.
 He 23) _____ the 12) _____ 25) _____ from the 21) _____ and 16D) _____ His 13) _____ into the
 22) _____ ' 15) _____. Then He 3) _____ and 2A) _____ the 22) _____ ' 2D) _____.
 He 24) _____ to 9) _____ and 5) _____, "Be 11) _____!" The 22) _____ ' 15) _____ were
 11) _____ and he 10) _____ 14) _____ 17) _____.