

# Plan I Nest Box For:

- House Wren
- Black-capped Chickadee
- White-breasted Nuthatch
- Prothonotary Warbler
- White-footed Mouse
- Woodland-deer Mouse
- Tufted Titmouse
- Bluebird

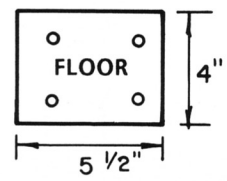
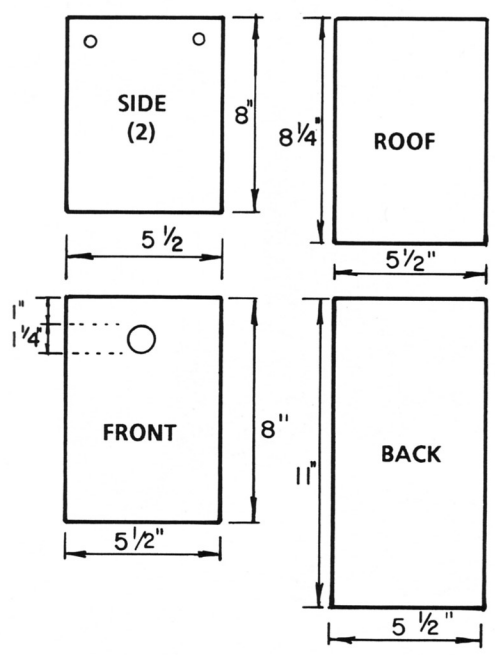
With slight modifications, this plan can also be used to make a simple one-board, flat roof bluebird house. Simply extend the side, front and roof to 9 inches. The remainder of a 6 foot long board can be used for the back and floor. A different hole size is required too, see Plan 24, page 58.

Easier yet, (no drill required) shorten the front by 1-1/2 inches. This will leave an open slot right beneath the roof overhang. Bluebirds will use these slots.

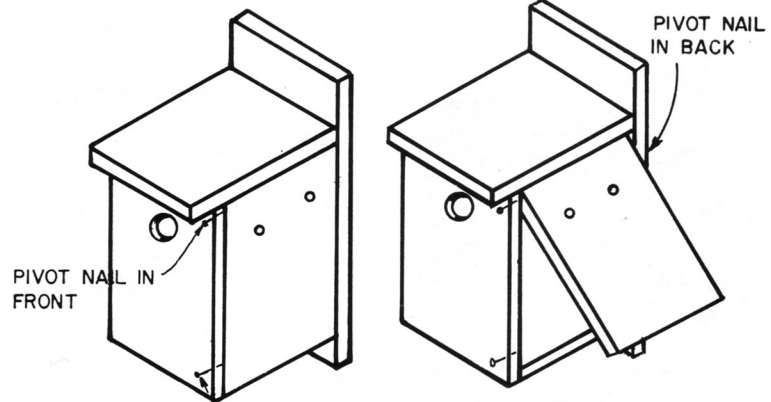


1/4" Holes for Ventilation

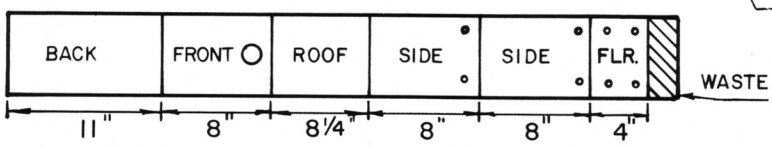
1/4" Holes for Drainage



NOTE: ENTRANCE HOLE DIAMETER IS 1 1/4"



NAIL OR SCREW HOLDS SIDE CLOSED.  
TWO "PIVOT" NAILS ALLOW SIDE TO SWING OUT FOR CLEANING.  
USE ONE NAIL AT BOTTOM TO CLOSE SIDE.



LUMBER:  
ONE 1" x 6" x 4' 0"