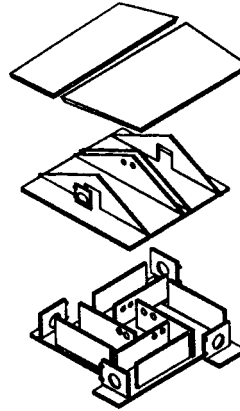
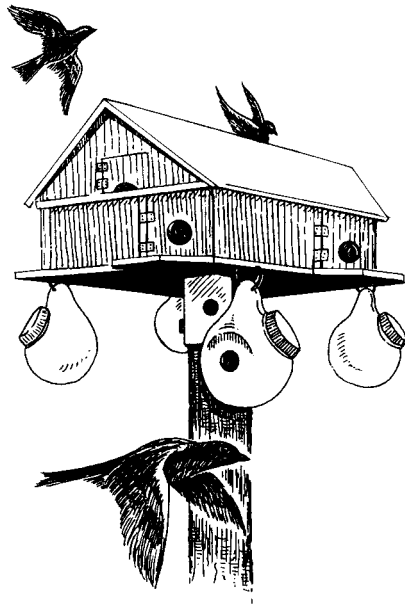
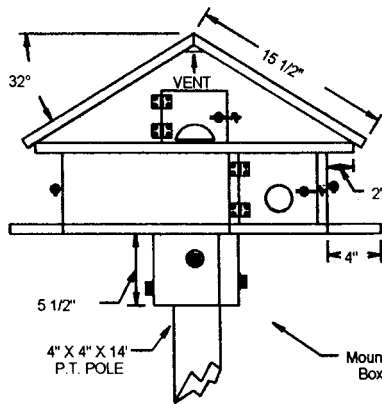


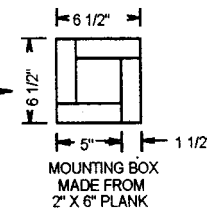
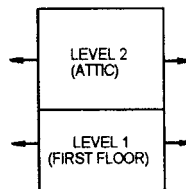
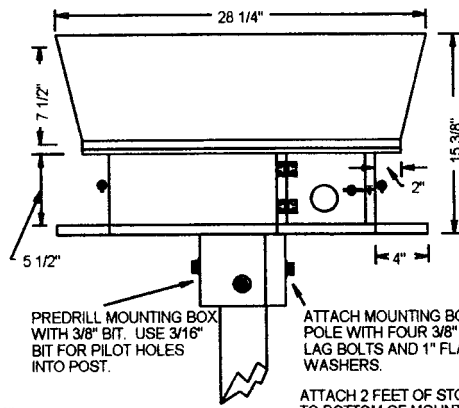
# Plan 8 Purple Martin House



END VIEW



SIDE VIEW

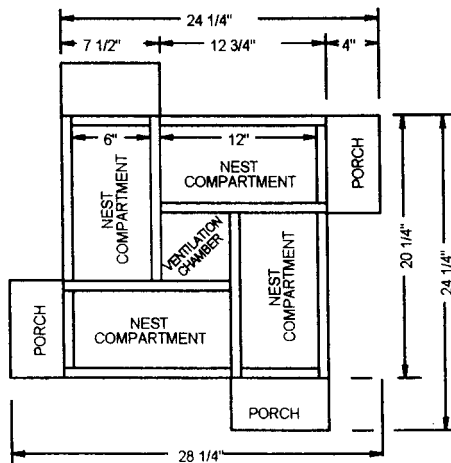


PREDRILL MOUNTING BOX WITH 3/8" BIT. USE 3/16" BIT FOR PILOT HOLES INTO POST.

ATTACH MOUNTING BOX TO POLE WITH FOUR 3/8" X 3" LAG BOLTS AND 1" FLAT WASHERS.

ATTACH 2 FEET OF STOVE PIPE TO BOTTOM OF MOUNTING BOX OR USE GUARD ILLUSTRATED IN PLAN . . .

FLOOR PLAN LEVEL 1 (TOP VIEW)



FLOOR PLAN LEVEL 2 (TOP VIEW)

