

# Plan 15 Nest Box For:

Common & Hooded Merganser  
 Wood Duck  
 Raccoon  
 Fox & Gray Squirrel

## ENTRANCE HOLES

Common Merganser  
 min. 5" diameter round

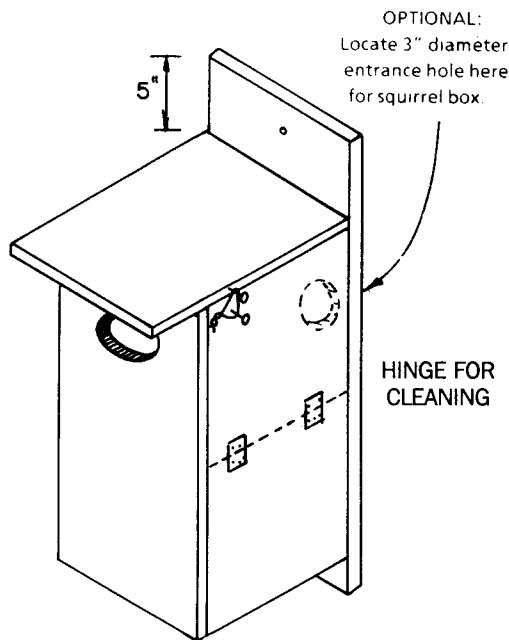
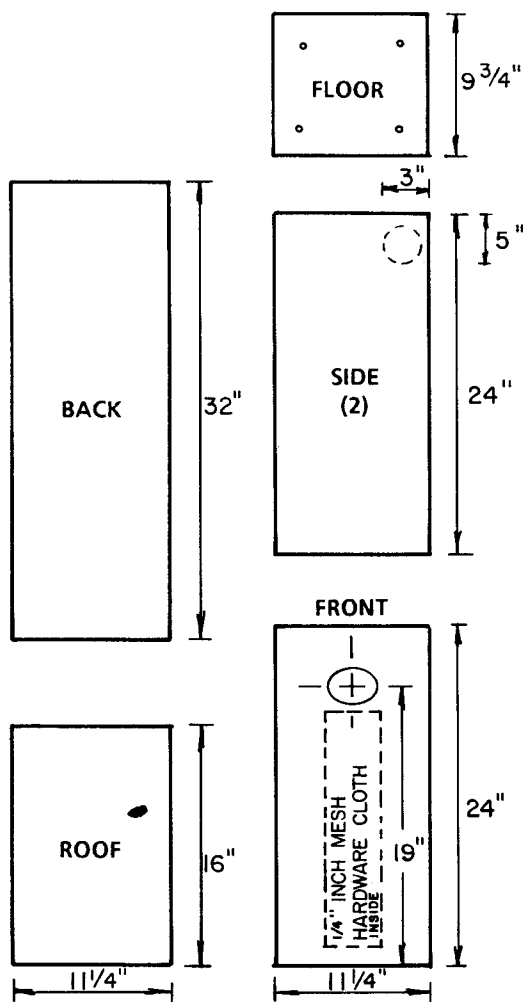
Wood Duck & Hooded Merganser  
 3" high & 4" wide oval

Raccoon  
 5" high & 9" wide oval

Fox & Gray Squirrel  
 3" diameter round



SIDELINGER

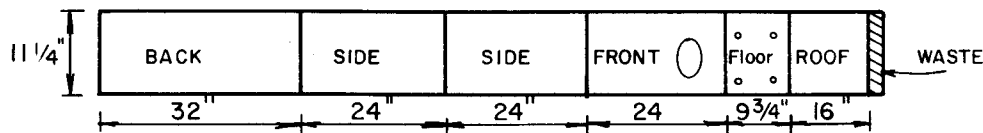


OPTIONAL:  
 Locate 3" diameter  
 entrance hole here  
 for squirrel box.

HINGE FOR  
 CLEANING

FOR WOOD DUCK HOUSE -  
 Place 3-4" Chainsaw Wood Chips in  
 bottom of box.

LUMBER:  
 ONE 1" X 12" X 12'0"



NOTE: PILEATED WOODPECKER BOX SHOULD BE  
 CONSTRUCTED FROM ONE 2" X 12" X 12'0" CEDAR, AND  
 FLOOR MUST BE 8 1/4" LONG INSTEAD OF 9 3/4"  
 FOR USE OF 1 1/2" THICK LUMBER.