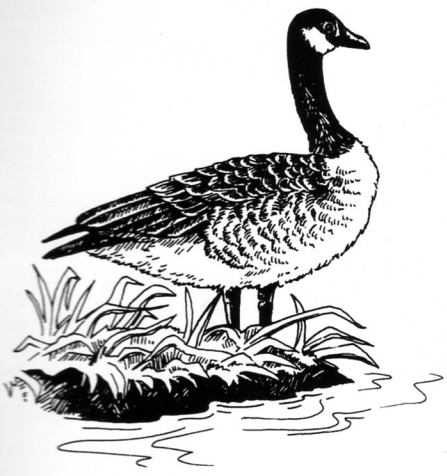
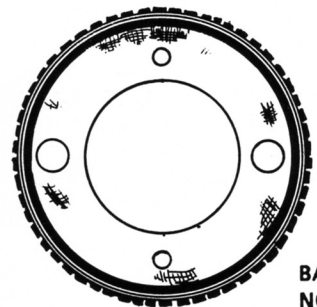


# Plan 19 Canada Goose Nest

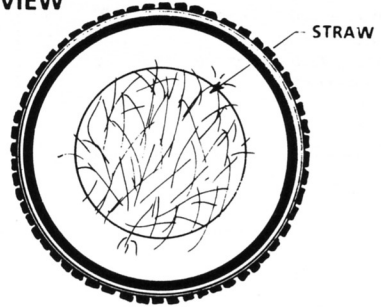


**BOTTOM VIEW**

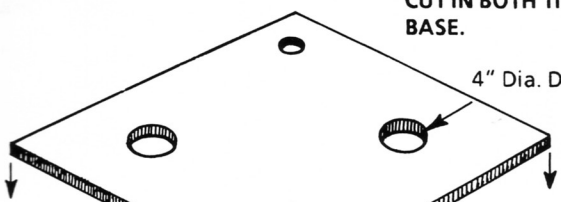


TIRE: 10:00 - 20 TRUCK TIRE (MINIMUM 20" RIM WIDTH)

**TOP VIEW**



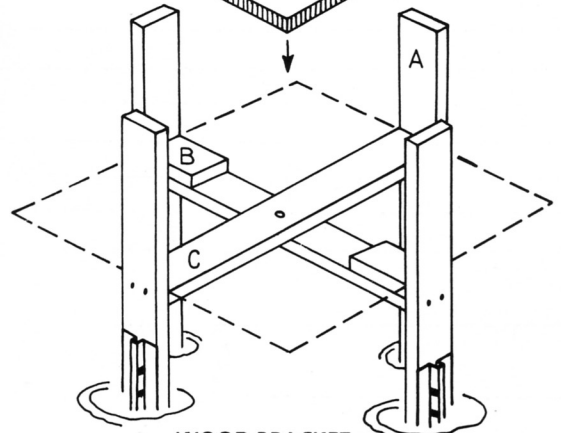
BASE BOLTED TO TIRE  
NOTE: DRAINAGE HOLES CUT IN BOTH TIRE & BASE.



4" Dia. Drainholes

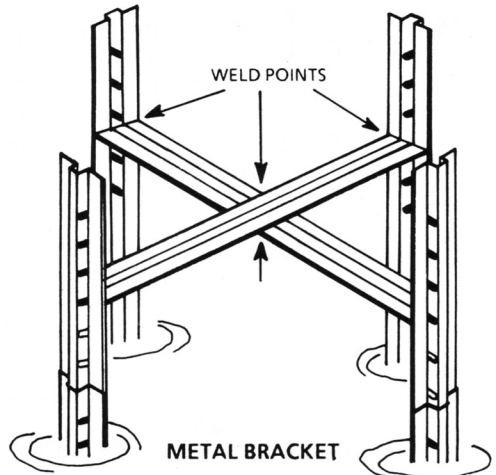
**LUMBER & METAL:**

- A - (4) 2" X 4" X 2' Posts
- B - (2) 2" X 4" X 1' Braces
- C - (2) 2" X 4" X 3' Crossbars



WOOD BRACKET

MIN. HT. 3' ABOVE WATER LEVEL



METAL BRACKET

METAL: 3" U-TYPE METAL FENCE POST. LENGTH TO BE DETERMINED BY DEPTH OF WATER