

Plan 20 Mallard Nest Cylinder

SUPPLIES NEEDED:

One 7' X 3' piece of plastic coated garden fencing and straw

Metal posts; number and length depends on water depth and chosen design.

Platform design

One 8" X 36" X 3/4" pine board
 One 2" X 4" X 10" pine board
 Two 4" lag screws and washers
 Two 6" bolts w/nuts and washers

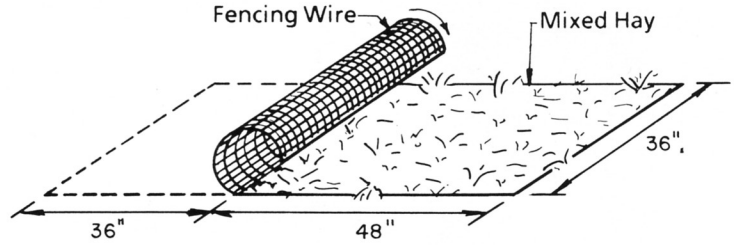
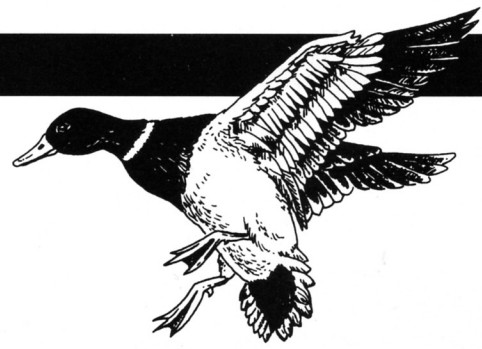
Cradel design

Two 1 1/2" bolts w/nuts and washers

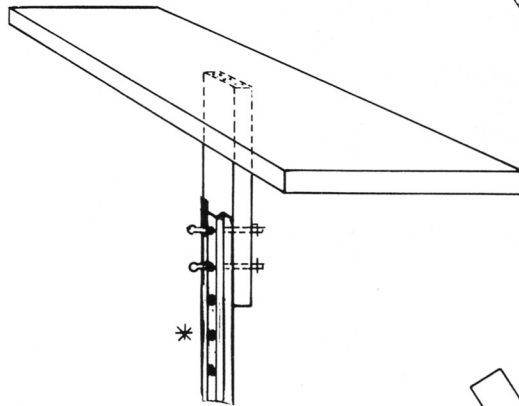
ASSEMBLY INSTRUCTIONS:

To make this device use welded, plastic coated, garden fencing, with a 2" X 2 1/2" mesh. A 50' X 3' roll will make seven nests. Also needed is a supply of mixed hay such as a timothy/ orchard grass mixture. Sudan grass also works well. Small grain straw is a poor choice because it doesn't last very long.

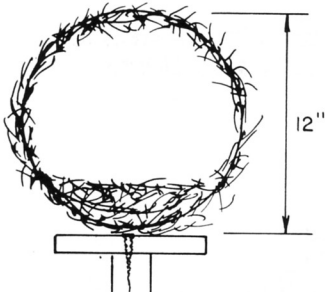
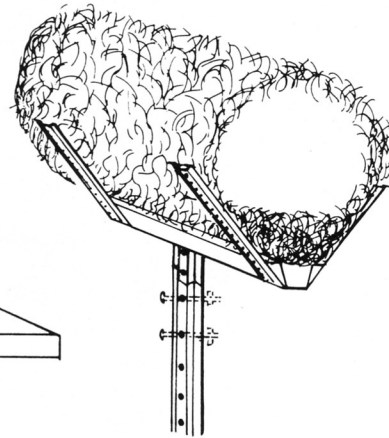
Cut seven feet of fencing off the roll of wire and place on a flat hard surface. Measure three feet in from one end and mark the wire. Roll the end of the three foot section of wire to mark which results in a nesting cylinder 3 foot long by 1' in diameter. Place about two inches of hay over the remaining four feet. Continue rolling the wire over the hay and fasten with pig rings or wrap the ends of the cut wire to secure it. Place a handful of hay in the center for nesting material.



WOODEN PLATFORM



METAL CRADEL



HARDWARE

6" BOLTS
(WASHERS & NUTS)

* METAL POST - Length to be determined by depth of water

