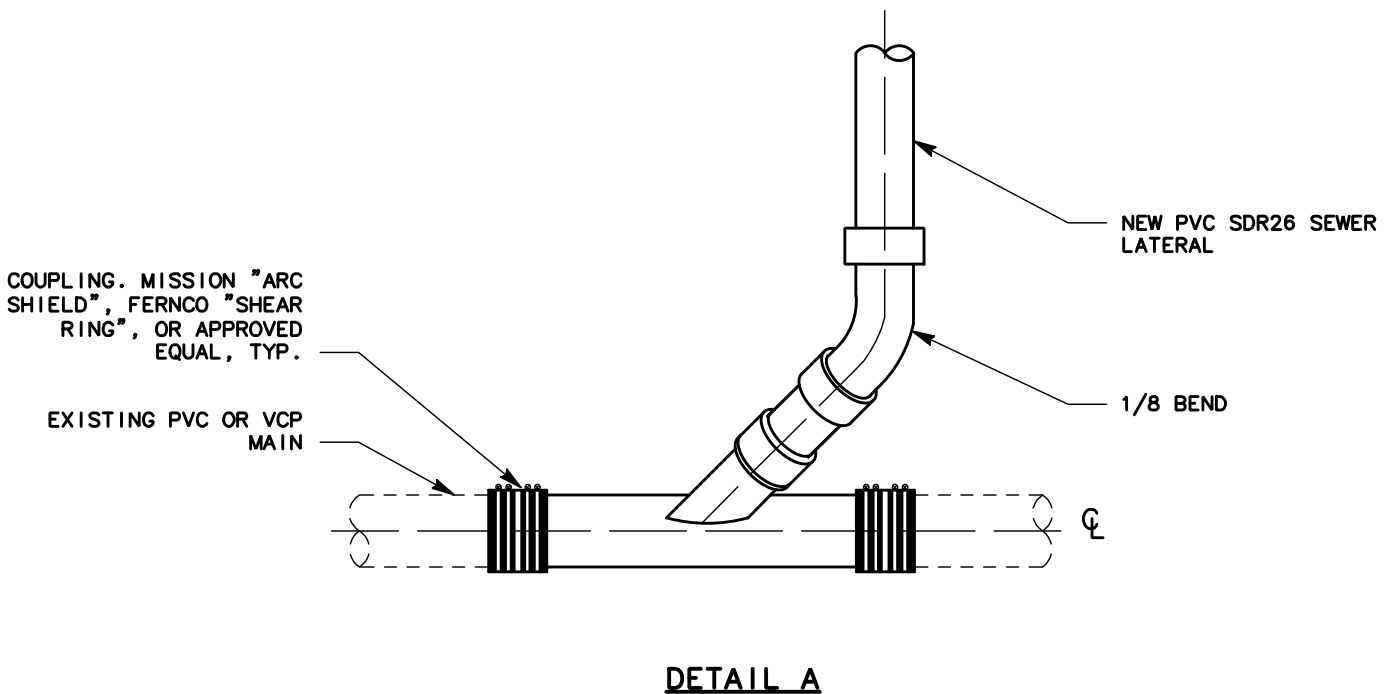
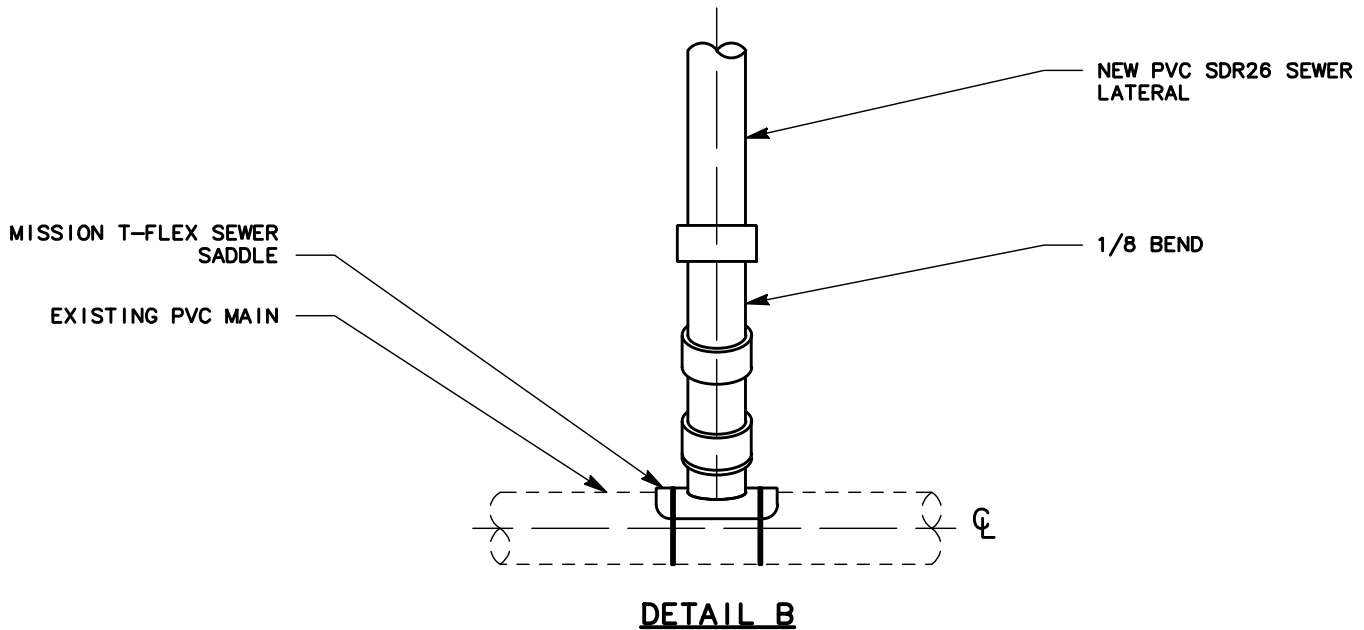




CUPERTINO SANITARY DISTRICT



NOTES:

1. DETAIL A – NEW LATERAL INTO EXISTING PVC & VCP (CLAY) SEWER MAINS
2. DETAIL B – ALTERNATIVE CONNECTION AS APPROVED BY THE DISTRICT

LATERAL CONNECTIONS TO MAINS

DETAIL **10**

DR. BY: ED
DATE: 05/04/2020

CK. BY: FQ
DATE: 05/04/2020

APPROVED. BY:

DATE: 05/04/2020