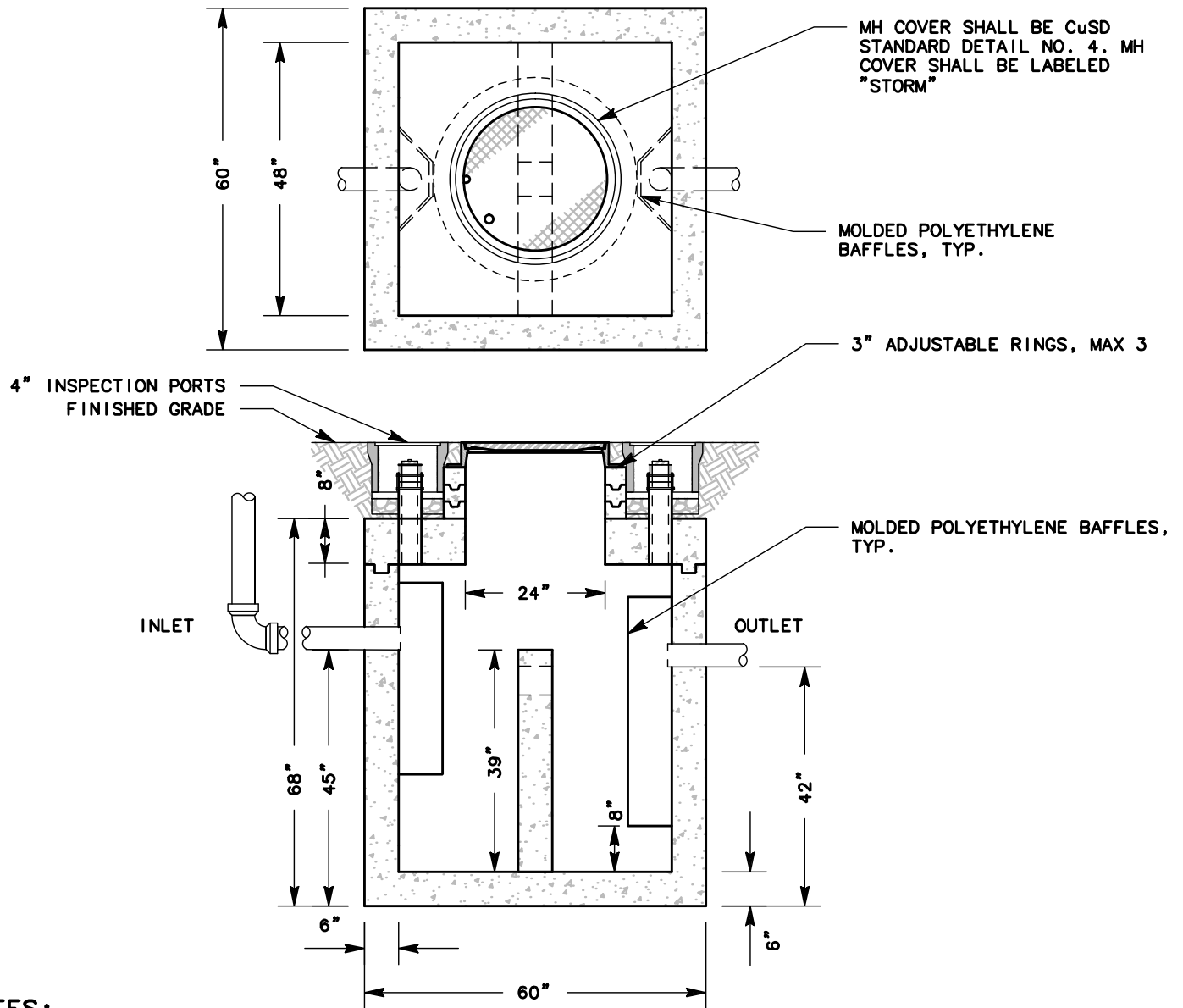




CUPERTINO SANITARY DISTRICT



NOTES:

1. SAND/OIL SEPARATOR SHALL BE MONARCH PRECAST 315 GAL SIZE, OR APPROVED EQUAL.
2. ALL PIPING SHALL MATCH ONSITE PIPE MATERIAL
3. ALL CLEANOUT BOXES SHALL BE BE CHRISTY CONCRETE PRODUCTS MANUFACTURED BY OLDCASTLE PRECAST, INC. OR APPROVED EQUAL.

	4" RISER	
	NON-TRAFFIC	TRAFFIC
BOX	F08	G05T
LID	F08C	G05CT

4. LIDS SHALL BE MARKED "STORM"
5. 1/8 BEND MAY BE PART OF 45° WYE IF APPROVED BY DISTRICT
6. BEDDING MATERIAL SHALL FOLLOW CUSD STANDARD SPECIFICATIONS SECTION 3.17

SAND/OIL SEPARATOR FOR TRASH ENCLOSURE

DETAIL **15**

DR. BY: NC
DATE: 10/12/2017

CK. BY: FQ
DATE: 10/12/2017

APPROVED. BY:

DATE: 10/25/2017