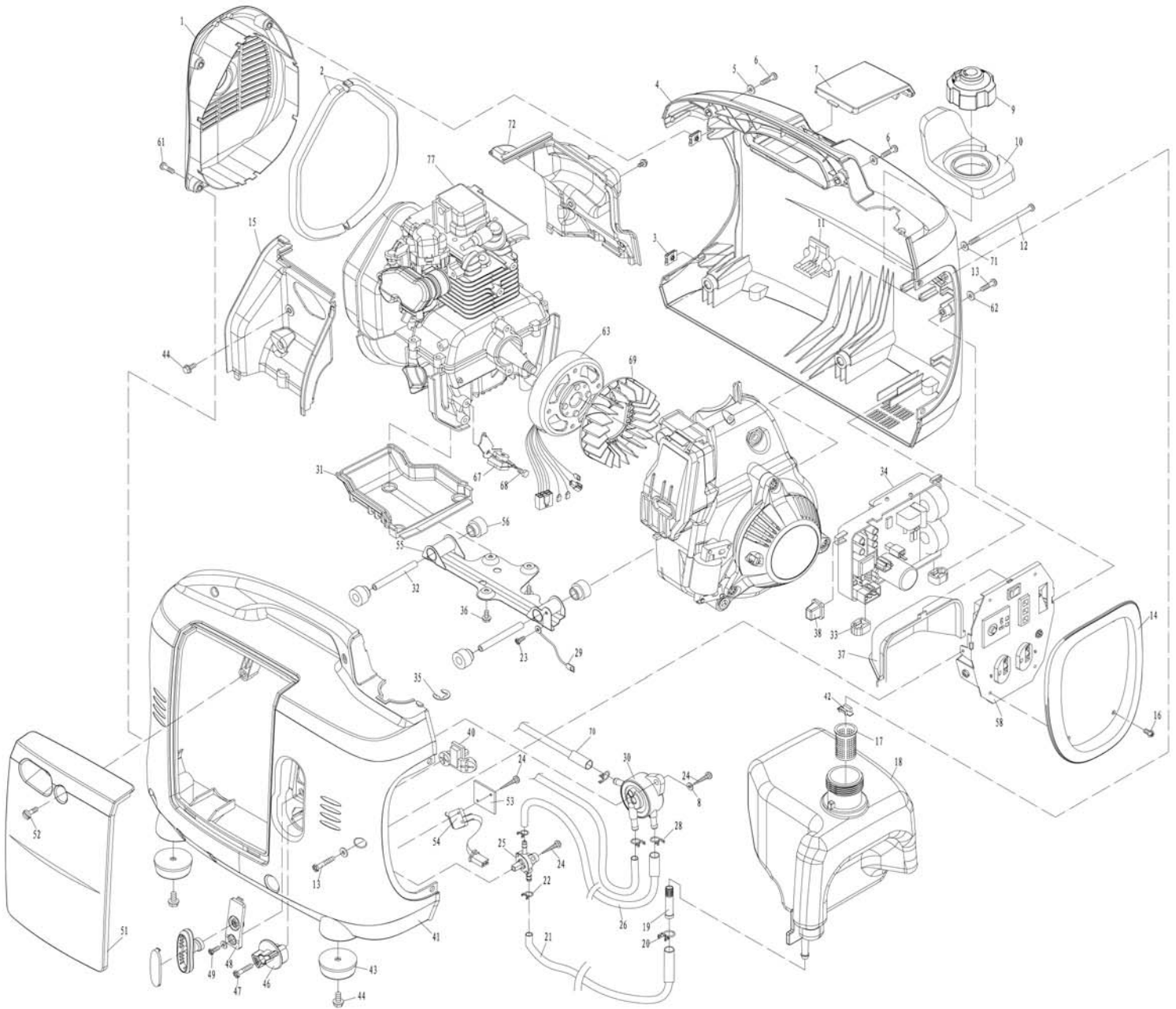
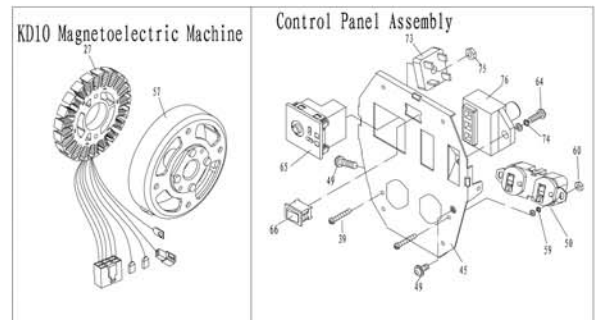


KIPOR IG1000 INVERTER GENERATOR PARTS



© 2007 by The Coast Distribution System, Inc.



KIPOR IG1000 INVERTER GENERATOR PARTS

No.	Manf. #	Order #	Description	Qty.
1	KGE1000Ti-06610	65970	Rear case	1
2	KGE1000Ti-06601	66222	Seal strip of Rear case	1
3	KGE1000Ti-06115		Inserter	4
4	KGE1000Ti-06310	65929	Right Case	1
5	GB/T97.1-85		Gasket 6	2
6	GB/T818-2000		H-type plus screw M6X20	2
7	KGE1000Ti-06401	66946	Top Cover of Right Case	1
8	GB/T97.1-85		Gasket 4	4
9	KGE1000Ti-07200	66228	Fuel Tank Cover	1
10	KGE1000Ti-07009	66947	Protective sleeve	1
11	KGE1000Ti-06301		Cross type protective holder of right case	1
12	KGE1000Ti-00007		Bolt M6X105	2
13	GB/T818-2000		H-type plus screw M5X25	2
14	KGE1000Ti-06501	65969	Front Case	1
15	KGE1000Tia-03011	66947	Air Inlet Deflector	1
16	GB/T818-2000		H-type plus screw M5X15	4
17	KGE1000Ti-07011	66227	Filter	1
18	KGE1000Ti-07005	66948	Fuel tank	1
19	KGE1000Ti-07004	66749	Strainer	1
20	KGE1000Ti-07012	66750	Clip 10	1
21	KGE1000Ti-07001	66953	Fuel pipe	1
22	KGE1000Ti-07006	66752	Clip 7	2
23	GB/T818-2000		H-type plus screw M6X16	1
24	GB/T845-85		Self-tapping screw ST4.8X20-C-H	6
25	KGE1000Ti-07300	66275	Fuel valve assembly	1
26	KGE1000Ti-07002	66953	Fuel pipe II	1
27	KN10-02100		Stator	1
27-57	KF10-02000	65972	Alternator Assembly	
28	KGE1000Ti-07007	66767	Clip 9	3
29	KGE1000Ti-05600		Ground cable of engine mountings	1
30	KGE1000Ti-07100	65924	Vaccum fuel pump	1
31	KGE1000Tia-03031		Air Outlet Deflector	1
32	KGE1000Ti-04204		Lower Hollow Shaft	2
33	KGE1000Ti-00008		Damping cushion	2
34	DU10	65949	Inverter Module	1
35	GB/T896-1986		Split Washer 9	1
36	GB/T5789-1986		Hexagon Flange Bolt M6X16	3
37	KGE1000Ti-06001		Electrical elements protect cover	1
38	KGE1000Ti-00004		Square type rubber protective frame	1
39	GB/T818-2000		H-type plus screw M5 20	4
40	KGE1000Ti-06101		Cross type protective holder of left case	1
41	KGE1000Ti-06110	65967	Left case	1
42	KGE1000Ti-07013	66954	Oil Scale	1
43	KGE1000Ti-06700	66224	Damping cushion of the case bottom	4
44	GB/T5789-1986		Hexagon Flange Bolt M6X16	6
45	KGE1000Ti-13101		Control Panel	1
46	KGE1000Ti-07008	66226	Oil switch lever	1
47	KGE1000Ti-07304		Screw	1
48	KGE1000Ti-06102		Fixing sleeve of starter handle	1
49	GB/T818-2000		H-type plus screw M5X12	3
50	5-20R	66763	American Twin Socket	1
51	KGE1000Ti-06201	66219	Side door of left case	1
52	KGE1000Ti-00006	66217	Screw M6	1
53	KGE3000Ti-03017		Micro Switch Baffle	1
54	KW4A-Z6CSF200	66756	Micro Switch	1
55	KGE1000Tia-04100		Mounting Weldment of Engine	1
56	KGE1000Ti-04201b		Lower Daming Shealth	4
57	KM10-02200		Rotor	1
58	KGE1000Ti-13100		Control Panel Assembly	1

No.	Manf. #	Order #	Description	Qty.
59	GB/T93-87		Spring Gasket 4	2
60	GB/T6177-2000		Hexagonal Flange Nut M4	2
61	GB/T818-2000		Screw M5X16	4
62	GB/T97.1-85		Gasket 5	4
63	KD10-0000	65972	KD10 Magnet Electric Machine	1
64	GB/T818-2000		H-Type Plug Screw M5X12	1
65	WZ-Z2	66284	DC Receptacle (DC12V 8.3A)	1
66	RF-1003-BB2	66498	Smart Throttle Switch	1
67	KGE1000Ti-13601	66956	Trigger	1
68	GB/T5789-1986		Hexagonal Flange Bolt M5X12	1
69	KD10-02001	66957	Fan	1
70	KGE1000Ti-07003		Fuel Pipe III	1
71	GB/T96-85		Gasket 6	2
72	KGE1000Tia-03021		Exhaust Side Deflector	1
73	KBPC25-10	66518	Rectifier Bridge	1
74	GB/T93-87		Spring Gasket	2
75	GB/T6177-2000		Hexagonal Flange Nut M5	1
76	KMDK-01	65906	Three In One Ignition Controller	1
77	KG144-00000	66965	KG144 Gasoline Engine	1