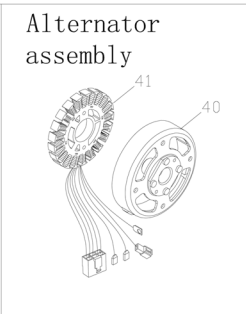
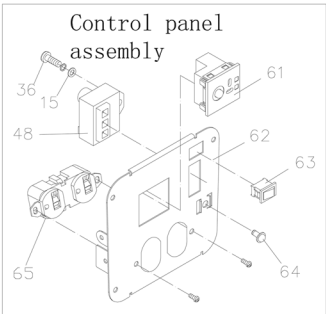
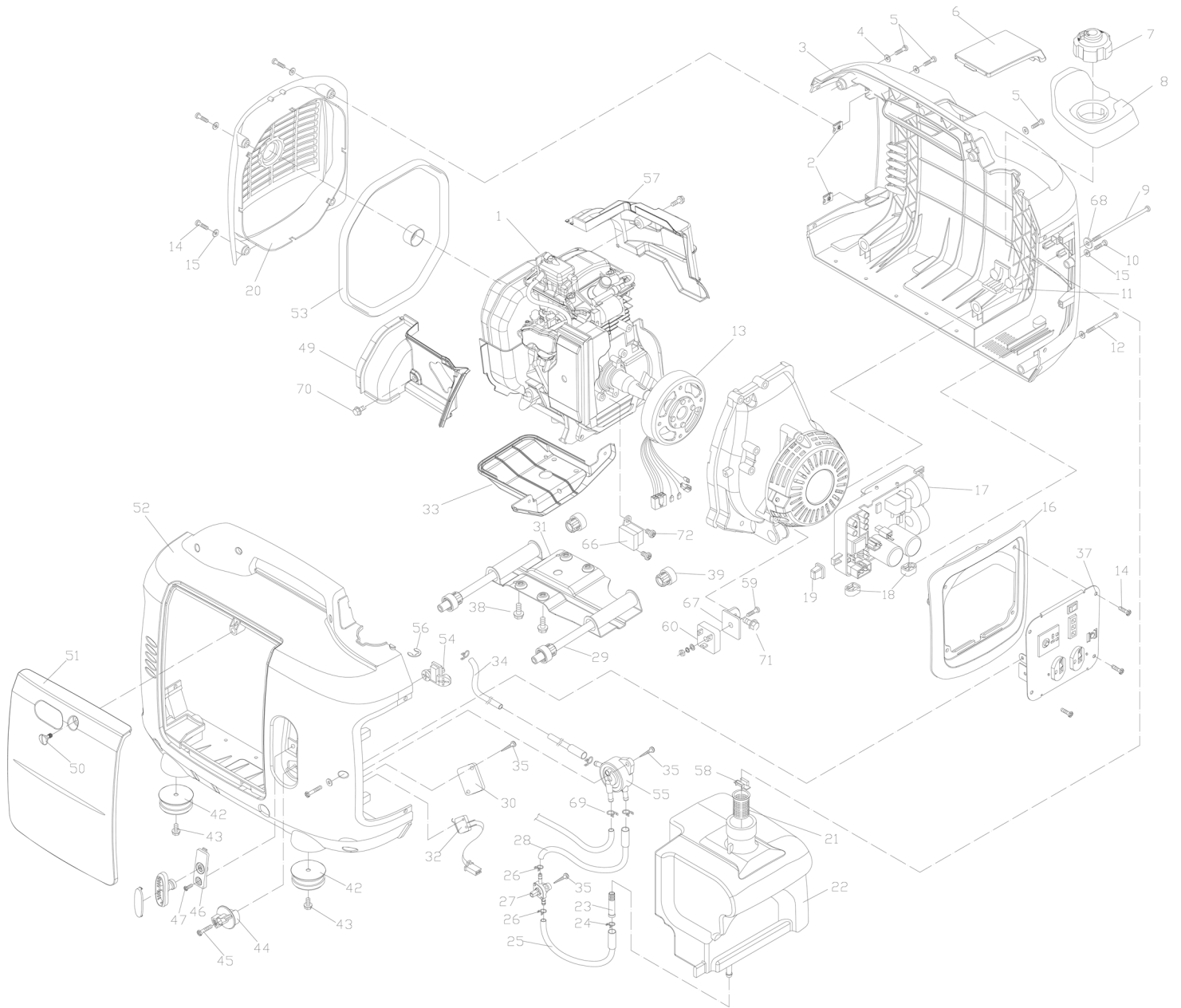


IG2000



IG2000

No.	Manf. #	Order #	Description	Qty.
1	KG158-00000	66739	Gasoline engine	1
2	KGE1000Ti-06115		Rear Case Locking Plug-in Board	8
3	KGE2000TiA-03300	66742	Right case and inlays	1
4	GB97.1-1985	66800	Gasket 6	3
5	GB/T5789-1986		Bolt M6X20	3
6	KGE2000Ti-03600	66744	Top cover assembly	1
7	KGE1000Ti-07200	66228	Fuel tank cover assembly	1
8	KGE2000Ti-07005	66746	Fuel filler washer	1
9	KGE2000Ti-03002		Hexagonal Bolt	2
10	GB/T818-2000		Screw M5X25	2
11	KGE1000Ti-06301		Cross Type Protective Bracket of Right Case	1
12	KGE2000Ti-03003		Hexagonal Bolt	1
13	KD20-02000	65995	Alternator Assembly	1
14	GB/T818-2000		Screw M5X10	8
15	GB97.1-1985		Gasket 5	7
16	KGE2000Ti-03100	65988	Front Case and Inlays	1
17	DU20	65989	Inverter Module	1
18	KGE1000Ti-00008		Module Damping Washer	2
19	KGE1000Ti-00004		Square type robber protective bracket	1
20	KGE2000Ti-03200	65990	Rear Case and Inlays	1
21	KGE1000Ti-07011	66227	Filter Cup	1
22	KGE2000Ti-07100	66748	Fuel tank	1
23	KGE1000Ti-07004	66749	Strainer	1
24	KGE1000Ti-07012	66750	Hoop 10	1
25	KGE1000Ti-07001	66951	Fuel pipe (switch to fuel tank)	1
26	KGE1000Ti-07006	66752	Hoop 7	2
27	KGE1000Ti-07300	66275	Fuel switch assembly	1
28	KGE2000Ti-07002	66754	Fuel pipe (switch to pump)	1
29	KGE2000Ti-12102a		Hollow Shaft	2
30	KGE3000Ti-03017		Microswitch Board	1
31	KGE2000Ti-12110a		Fixing Plate of Engine	1
32	KW4A-Z6CSF200	66756	Micro-Switch	1
33	KGE2000Ti-04300		Lower Air Deflector	1
34	KGE2000Ti-07003	66757	Fuel Pipe III	1
35	GB/T845-1985		Screw ST3.8X15	6
36	GB/T818-1985		Screw M5X8	1
37	IG2000-13100		Control Panel Assembly	1
38	GB/T5789-1986		Bolt M8X30	4
39	KGE3000Ti-12101		Damper Bushing	4
40	KD20-02200	66747	Rotor	1
41	KD20-02100	65996	Stator	1
42	KGE2000Ti-03004		Bottom Washer	4
43	GB/T5789-1986		Bolt M6X12	4
44	KGE1000Ti-07008	66226	Fuel Switch Lever	1
45	KGE1000Ti-07304		Screw	1
46	KGE1000Ti-06102	66758	Grip Mounting Base	1
47	GB/T818-2000		Screw M5X12	1
48	DHQ-20	66152	Ignition Module	1
49	KGE2000Ti-04200		Inlet Side Guide Plate	1
50	KGE1000Ti-00006	66217	Screw M6	1
51	KGE2000Ti-03500	66235	Side door assembly	1
52	KGE2000TiA-03400	66762	Left case and inlays	1
53	KGE2000Ti-03001	66233	Rear case sealing strip	1
54	KGE1000Ti-06101		Cross type protective bracket of left case	1
55	KGE1000Ti-07100	65924	Fuel vaccum pump assembly	1
56	GB/T896-1986		Open ring 9	1
57	KGE2000Ti-04100		Deflector on the exhaust side	1
58	KGE1000Ti-07013	66954	Oil Indictor	1
59	GB/T818-1985		Screw M5X20	1

No.	Manf. #	Order #	Description	Qty.
60	KBPC25A 1000V	66410	Rectifier Bridge	1
61	WZ-Z2	66284	DC Receptacle	1
62	IG2000-13110		Control Panel	1
63	RF-1003-BB2	66498	Smart Throttle Switch	1
64	GB/T818-2000		Screw M6X10	1
65	5-20R	66763	A-Style Receptacle	1
66	KGE2000Ti-13601	66766	Trigger	1
67	KGE2000Ti-13340		The Board of Commute Bridge	1
68	GB/T96-1985		Big Gasket 6	2
69	KGE1000Ti-07007	66767	Hoop 9	3
70	GB/T96-1986		Bolt M6X12	2
71	GB/T96-1986		Bolt M6X16	2
72	GB/T818-2000		Screw M6X10	2