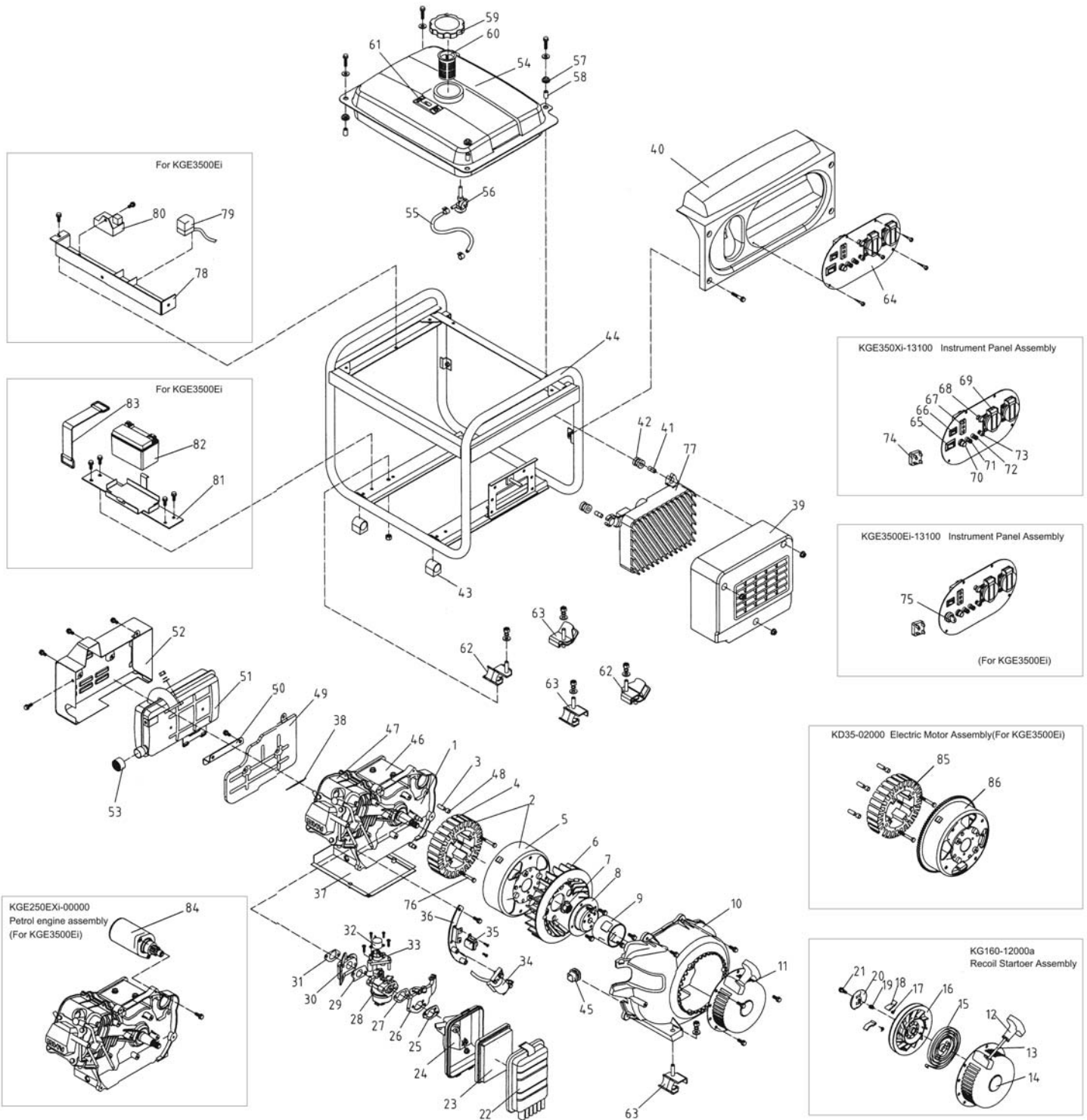


IG3000E



IG3000E

No.	Manf. #	Order #	Description	Qty.
1	KG205GETI-00000	66557	Gasoline engine	1
2	KD30-02100/02000	66008	Stator/Rotor Assemnly	1
3	KD30-02205		Stator locating pin	4
4	KD30-02100		Stator assembly	1
5	KD30-02200		Rotor assembly	1
6	KGE3300Ti-05001	66904	Fan	1
7	KG160-05004		Flywheel nut	1
8	KGE3500Ti-03010		Fixing plate	1
9	KG160-05005a	66929	Starter wheel	1
10	KGE3300Ti-04001	66897	Engine Air Cover	1
11	KG160-12000a	66930	Recoil starter	1
12	KG160-12011		Starting lever	1
13	KG160-12009		Starting rope	1
14	KG160-12101		Outside shell of starter	1
15	KG160-12003		Recoil starter spring	1
16	KG160-12002a		Starter reel	1
17	KG240-12007		pawl spring	2
18	KG240-12008		pawl	2
19	KG240-12004		Friction spring	1
20	KG240-12005		Pawl guide plate	1
21	KG240-12006		Fastening bolt	1
22	KG205GETI-07002	66372	Air filter cover	1
23	KG200GTI-07100	66191	Air Filter Element	1
24	KG205GETI-07001	66373	Air Cleaner Housing	1
25	KG160-07007		Carburetor washer	1
26	KG200GTI-11000	66192	Choke Plate	1
27	KG200GTI-02019	66884	Carburetor gasket B	1
28	KG200GTI-10000	66006	Carburetor	1
28A	P019-15A	66283	High Altitude Main Jet	1
29	KG160-02018	66183	Carburetor gasket A	1
30	KG205GTI-02017a	66887	Insulation block of carburetor	1
31	KG160-02013		Air intake gasket	1
32	24BYJ24	66147	Stepping motor	1
33	KG200GTI-10210		Motor bracket part	1
34	KGE3300Ti-13300	66446	Ignition coil	1
35	KGE3500Ti-13601	66016	Trigger	1
36	KGE3300Ti-13320	66892	Ignition coil bracket	1
37	KGE3500Xc-01100		Air block	1
38	KG160-02014	66182	exhaust gasket	1
39	KGE3500Xc-00002	66932	Fan cover of module	1
40	KGE3500Xc-00001		Control panel cover	1
41	8KM-214-002		Air conduct plate cover	6
42	8KM-213-002		Module damping washer	3
43	KGE2200X-03001	67276	Bracket damping washer	4
44	KGE3500Xi-03000		Bracket	1
45	KGE3300Ti-13002		Sealing block	1
46	KGE3300Ti-01020		Top Plate	1
47	KGE3300Ti-01030		Cylinder End Guide Plate	1
48	KD30-02206		Stator location pin	4
49	KGE3500Xc-10400		Rear Cover	1
50	KGE3500Xc-10500		Muffler fixing plate weldment	1
51	KGE3500Xc-10000	66934	Muffler assembly	1
52	KGE3500Xc-10100	66935	Muffler Guard	1
53	KGE3300Ti-10400	66242	Spark Arrestor	1
54	KGE3500Xc-11100	66936	Fuel Tank	1
55	KGE3300Ti-11007	66937	Fuel Pipe	1
56	KGE2800Xi-11400	66938	Fuel Valve	1
57	KDE5000X-30003		Damping washer	4
58	KDE5000X-30004		Liner pipe	4
59	KGE2800Xi-11300	66939	Gas Cap	1
60	KGE2800Xi-11001	66940	Strainer	1

No.	Manf. #	Order #	Description	Qty.
61	KGE3300Ti-11300	66243	Fuel Gauge	1
62	KGE3300Ti-12100	66263	Damping Cushion	2
63	KGE3300Ti-12200	66264	Damping Cushion II	2
64	KGE3500Xc-13100		Control panel assembly	1
65	RF-1003-BB2	66498	Smart Throttle Switch	1
66	RF-1003		Cymbiform Switch	1
67	DHQ-30	66153	Ignition Module	1
68	KGE3500Ti-14000		Choke Cable	1
69	L5-30	66279	TL Receptacle	1
70	WZ-22	66284	DC Socket	1
71	GB/806-1988		Positive terminal assembly	1
72	KBPC25A 1000V	66410	Rectifier Bridge	1
73	JK425	66913	Ignition Switch w/ Keys	1
73A	JK425-1	66912	Key for JK425	
74	KD35-2100		Stator Assembly	1
75	KD35-2200		Rotor Assembly	4
76	GB70-1985		Inner Hexagonal Bolt M6X60	1
77	DU30	66020	Inverter Module	1
78	KGE3500Ei-13100		Fixing plate	1
79	GY6	66407	Starting relay	1
80	SFCD9AH	66941	Charging Regulator	1
81	KGE3500Ei-18000		Battery Tray	1
82	6FM-6.5	67230	Battery	1
83	KGE3500Ei-17000	66448	BatteryStrap	1
84	KG205GETI-15100	66007	Electric Starter	1
85	KGE3300Ti-11410		Fuel Filter (on part 56)	1
86	P15-028		Fork	1
87	P15-029		Fork Spring	1
88	5-20R	66763	Receptacle	1