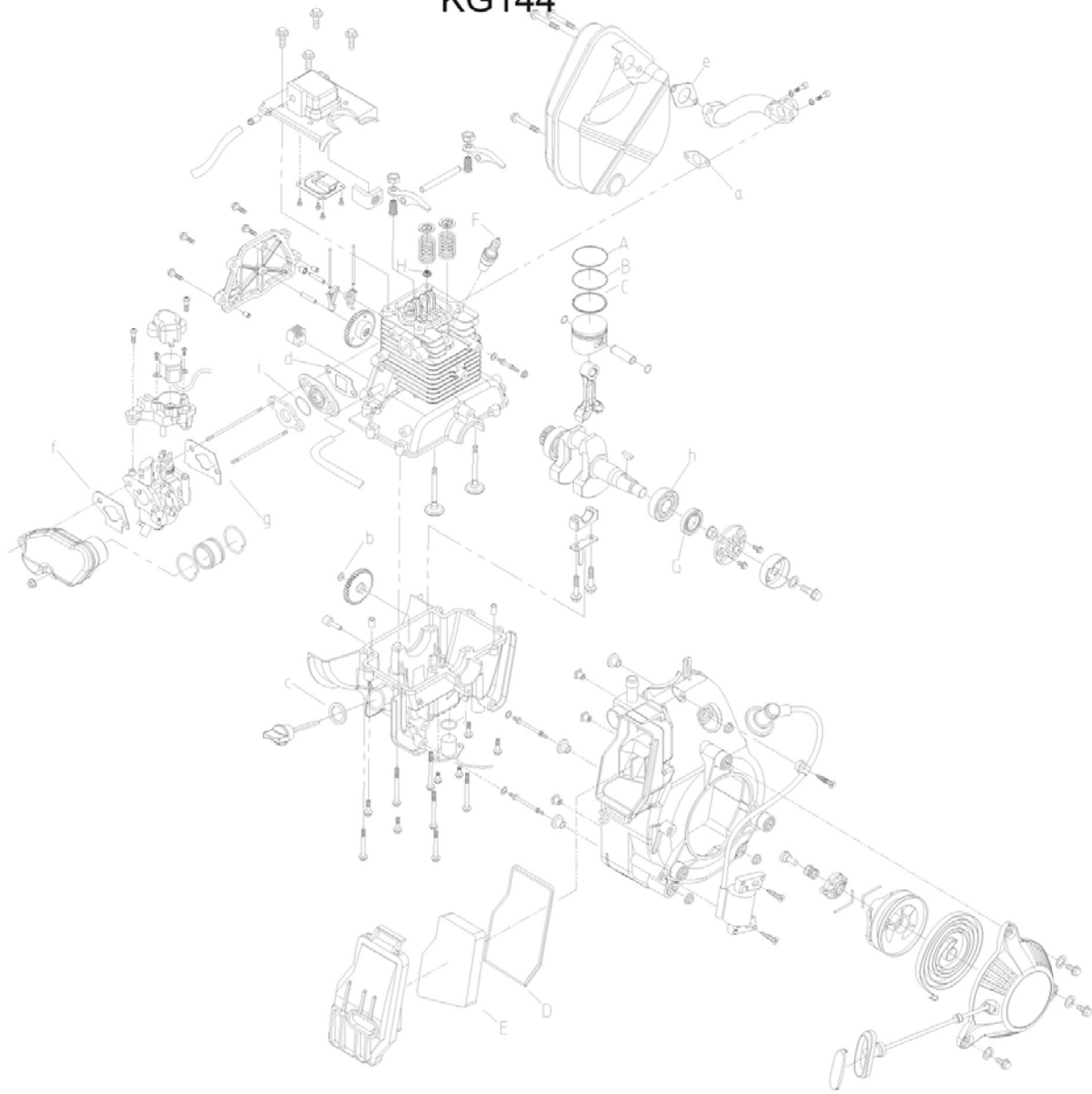


KIPOR ASSEMBLY AND PARTS DRAWING

KG144

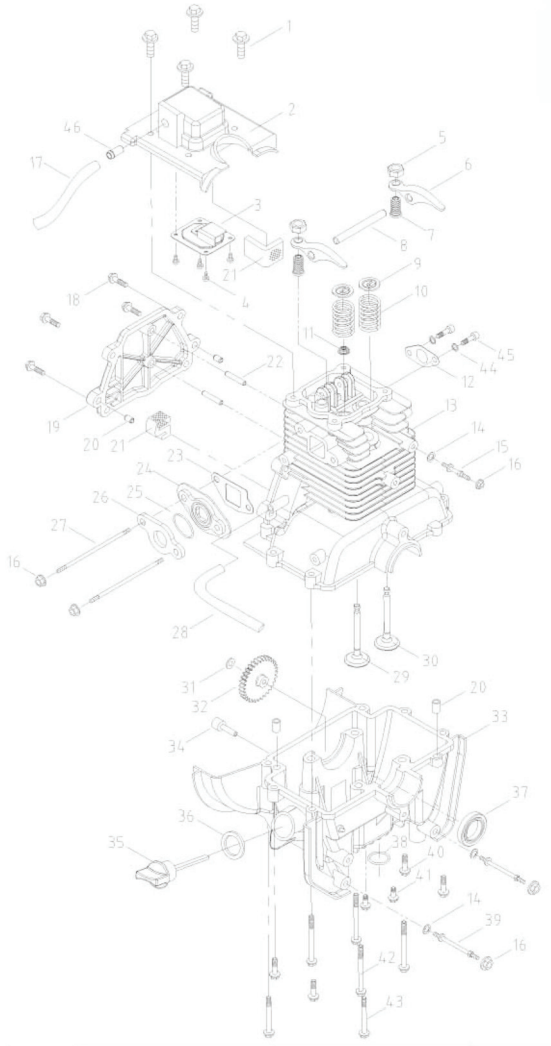


No.	Manf. #	Order #	Description	Qty.
EASY WEARING PARTS				
A-C	KG55-04001,2,3	65910	Piston Ring Set	1
D	KG55-07113	67028	Sealing Gasket II	1
E	KG55-07122	66208	Filter Element	1
F	QC/T430-1999	67039	Spark Plug UR5/A7RTC	1
G	KG55-01037		Oil Seal (27x17x5)	1
OIL SEAL				
H	KG-55-01041	66987	Inlet Valve Pipe Oil Seal	1
GASKET				
a	KG55-01023	66207	Exhaust Pipe Gasket	1
b	KG55-01104		Gasket (10x4x0.5)	1
c	KG240-01016	66197	Oil Rule Gasket	1
d	KG55-01018	66206	Inlet Pipe Gasket	1
e	KG55-08002	66210	Muffler Gasket	1
f	KG55-10003	66201	Carburetor Gasket	1
g	KG55-10004		Carburetor Gasket A	1

No.	Manf. #	Order #	Description	Qty.
TIGHT TORQUE FOR MAIL BOLTS AND NUTS (Unit: N.m)				
1	Connection Rod Bolt		8-10	
2	Flywheel Nut		48-52	
3	Crankcase Cover Bolt		6-8	
4	Spark Plug		12-15	
5	Standard M6 Bolt (Nut)		8-10	
6	Standard M5 Bolt (Nut)		6-8	
BEARING				
h	GB/T276-1994		Rolling Bearing 6203	2
O SEAL RING				
i	KG55-01033	66993	O Seal Ring (20x1.4)	1
j	KG55-01015	66203	O Seal Ring (27.5x2.65)	1

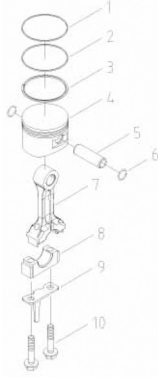
KG144 Engine Parts Listing

Cylinder Block Assembly KG55AGTi-01000



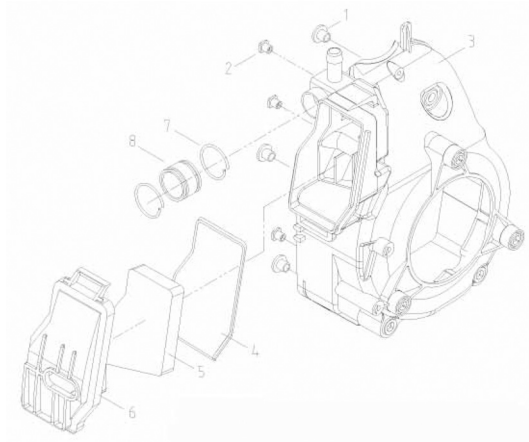
No.	Manf. #	Order #	Description	Qty.
1	GB/T5789-1986		Bolt M5X20	4
2	KG55AGTi-01009		Cylinder Cover	1
3	KG55AGTi-01300		Inspirator Pars	1
4	GB/T818-2000		Screw M3X5	4
5	KG55-01039	66973	Valve Clearance Adjusting Nut	2
6	KG55-01008a		Valve Rocker Arm	2
7	KG55-01006	66997	Valve Clearance Adjusting Screw	2
8	KG55-01007		Rocker Arm	1
9	KG55-01026	66982	Valve Spring Retainer	2
10	KG55-01027	66983	Valve Spring	2
11	KG55-01041	66987	Oil Seal of Inlet Valve Pipe	1
12	KG55-01023	66207	Exhaust Pipe Gasket	1
13	KG55AGTi-01200		Cylinder Machining Part	1
14	GB/T97.1-2002		Washer 6	3
15	KG55-01014		Air Conduct Cover Stud	1
16	GB/T6177.1-2000		Nut M5	5
17	KG55AGTi-01034	66994	Ventilation Pipe	1
18	GB/T5789-1986		Bolt M5X16	4
19	KG55AGTi-01001		Rear Cover of Crankcase	1
20	KG55-01003		Location Pin of Crankcase Rear Cover	4
21	KG55-01042		Oil Gas Separator	2
22	KG55-01005		Tappet Shaft	2
23	KG55-01018	66206	Inlet Pipe Gasket	1
24	KG55-01017	66205	Heat Insulation Plate of Carburator	1
25	KG55-01033	66993	O-Seat Ring (20x1.4)	1
26	KG55-01016	66204	Insulation Block of Carburator	1
27	KG55-01038		Inlet Pipe Stud	2
28	KG55AGTi-01036	66991	Subpressure Pipe	1
29	KG55-01024	66989	Inlet Valve	1
30	KG55-01025	66986	Exhaust Valve	1
31	KG55-01104		Gasket 10x4x0.5	1
32	KG55AGTi-01102		Oilgear	1
33	KG55AGTi-01101		Crankcase Oil Tray	1
34	KG55AGTi-01103		Oilgear Shaft	1
35	KG55-01031	66990	Dipstick	1
36	KG240-01016	66197	Dipstick Gasket	1
37	KG55-01037		Oil Seal 27x17x5	1
38	KG55AGTi-01015		O-Seal Ring 29.5x2.65	1
39	KG55-10128		Air Conduct Cover Stud	2
40	GB/T5789-1986		Bolt M5x25	4
41	GB/T5789-1986		Bolt M5x12	2
42	GB/T5789-1986		Bolt M5x20	4
43	GB/T5789-1986		Bolt M5x35	2
44	GB/T97.1-2002		Washer 5	2
45	GB/T70.1-2000		Inner Hexagonal Screw M5x20	2
46	KG55AGTi-01032	66995	Pipe Connector	1

KG144 Engine Parts Listing, continued



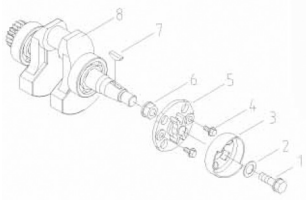
Piston Connection Rod Assembly KG55-04000

No.	Manf. #	Order #	Description	Qty.
1-3	KG55-04001/2/3		Piston Ring Set	1
4	KG55-04003	66996	Piston	1
5	KG55-04004	66997	Piston Pin	1
6	KG55-GB/T895.1-1986		Retainer Ring 10	2
7-10	KG55-04200	67259	Connecting Rod Assembly	1



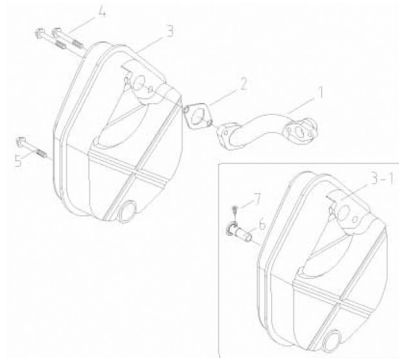
Inlet System KG55AGTi-07000

No.	Manf. #	Order #	Description	Qty.
1	KG55-07126		Bushing II	3
2	KG55-07125		Bushing I	3
3	KG55AGTi-07123		Air Conduct Cover	1
4	KG55-07113	67028	Sealing Gasket II	1
5	KG55-07122	66208	Filter Element	1
6	KG55-07111	67029	Air Filter Cover	1
7	KG55-07001		Clip Hoop	2
8	KG55-07002		Connection Pipe	1



Crankshaft Assembly KG55-05000

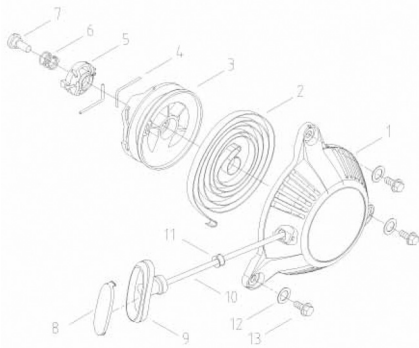
No.	Manf. #	Order #	Description	Qty.
1	GB/T5789-1986		Bolt M6X12	1
2	GB/T96.1-2002		Washer 6	1
3	KG55-05006		Starting Claw Panel	1
4	GB/T5789-1986		Bolt M5X12	1
5	KG55-05005a		Starting Claw Panel Bracket	1
6	KG55-05004		Rotor Nut	2
7	KG55-05003		Key (3X4.9X16)	1
8	KG55-05100		Crankshaft Part	1



Exhaust System KG55-08000

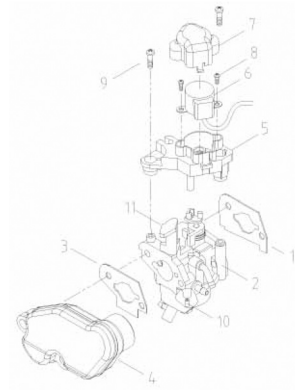
No.	Manf. #	Order #	Description	Qty.
1	KG55-08001	66209	Exhaust Pipe	1
2	KG55-08002	66210	Muffler Gasket	1
3	KG55-08100		Muffler	1
3-1	KG55-08100a	66211	Muffler w/Spark Arrestor	1
4	GB/T5789-1986		Bolt M6x55	2
5	GB/T5789-1986		Bolt M6x45	1
6	KG55-08140	66212	Spark Arrestor	1
7	GB/T846-1985		Screw ST3.5X7	1

KG144 Engine Parts Listing, continued



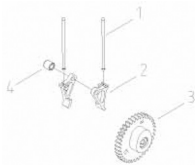
KG55-12000 Recoil Starter Assembly

No.	Manf. #	Order #	Description	Qty.
1-13	KG55-12000	65921	Recoil Starter Assembly	1
1	KG55-12001		Starter Outer Shell	1
2	KG55-12003		Recoil Starter Spring	1
3	KG55-12002		Starter Reel	1
4	KG55-12006		Retainer Rod	2
5	KG55-12007		Retainer Rod Panel	1
6	KG55-12004		Friction Spring	1
7	KG55-12008		Screw	1
8	KG55-12012		Starter Handle Cover	1
9	KG55-12011		Starter Handle	1
10	KG55-12005		Starting Pulling Rope	1
11	KG55-12009		Pulling Rope Bushing	1
12	GB/T97.1-2002		Washer 5	3
13	GB/T5789-1986		Bolt M5X12	3



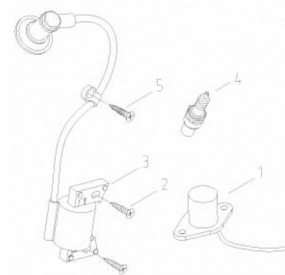
Carburetor Assembly KG55AGTi-10000

No.	Manf. #	Order #	Description	Qty.
1	KG55-10003	66201	Carburetor Gasket	1
2	P15-000	65927	Carburetor Part	1
3	KG55-10004	67034	Carburetor Gasket A	1
4	KG55AGTi-10100		Inlet Pipe Part	1
5	KG55-10001		Motor Bracket	1
6	24BYJ-24	66147	Stepping Motor	1
7	KG55-10002	67032	Motor Bracket Cover	1
8	GB/T818-2000		Screw M3X5	2
9	GB/T818-2000		Screw M4X10	2
10	P15-015		Main Metering Jet	1
10A	P15-015A	66282	High Altitude Main Jet	1
11	P15-016		Choke Valve Handle	1



Mechanism Assembly KG55-06000a

No.	Manf. #	Order #	Description	Qty.
1	KG55-06002	67030	Valve Pushing Rod	2
2	KG55-06001	67031	Valve Tappet	2
3	KG55-06101a		Cam and Driving Gear	1
4	KG55-06003		Axle Sleeve	1



Ignition System KG55AGTi-14000

No.	Manf. #	Order #	Description	Qty.
1	KG55AGTi-14200	67038	Oil Alarm	1
2	GB/T845-1985		Screw ST5.5x19 FH	2
3	KG55-14100	65908	Ignition Coil	1
4	QC/T430-1999	67039	Spark Plug A7RTC	1
5	GB/T845-1985		Screw ST4.2x16	1