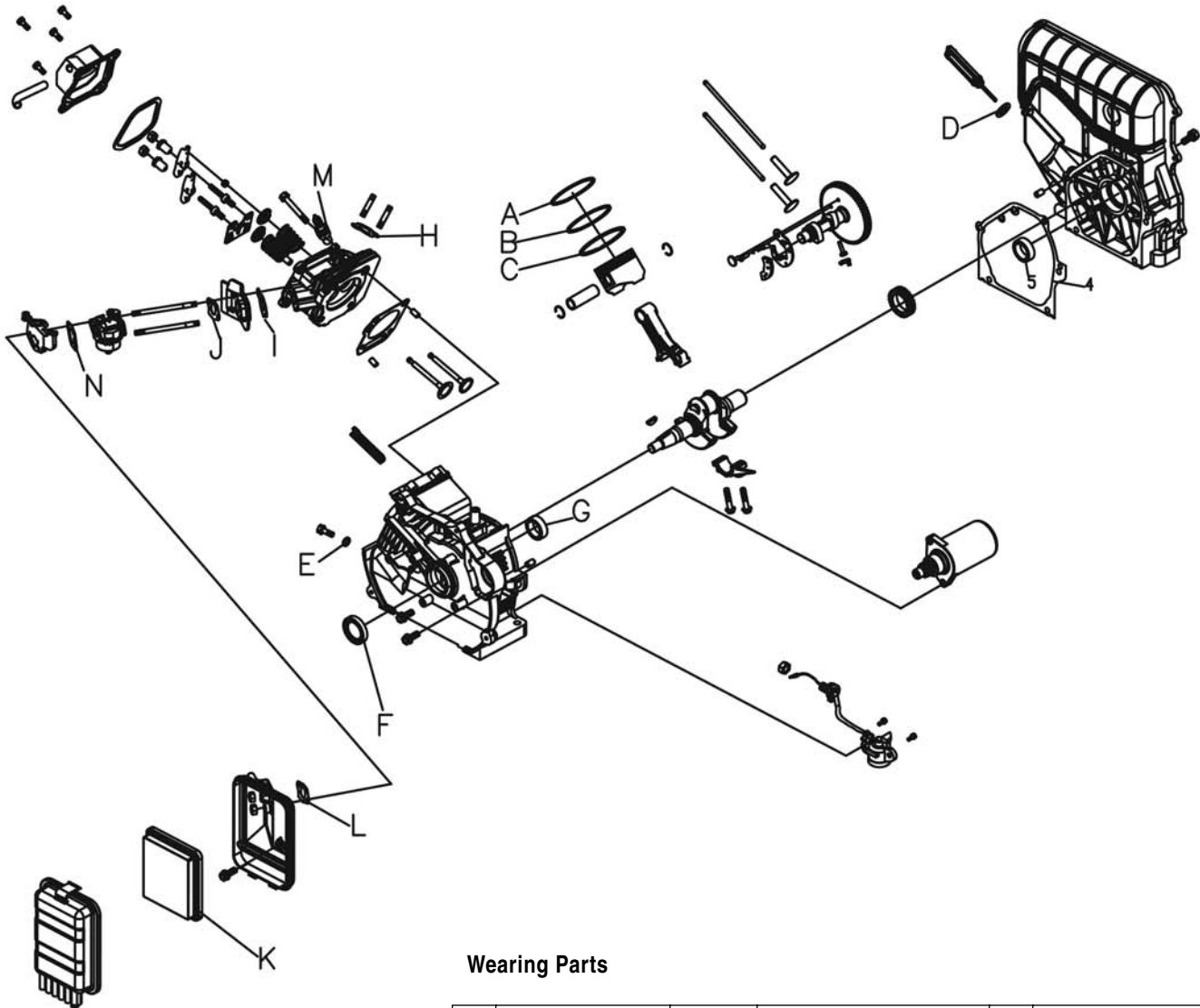


KG205GETi Gasoline Engine Parts Drawing



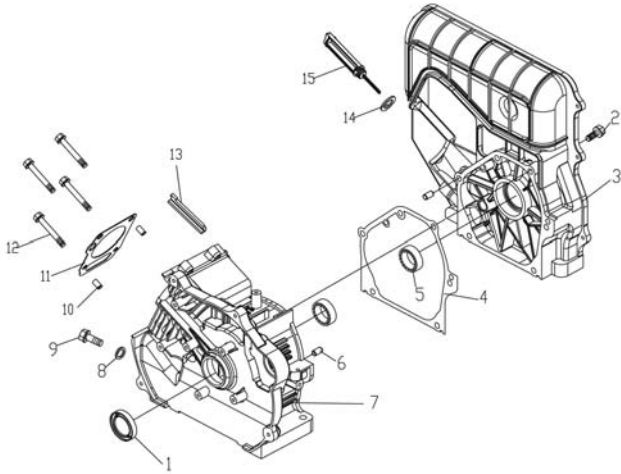
Wearing Parts

| Ref. | Manf. # | Order # | Description | Qty. | Mounted to |
|------|----------------|---------|------------------------|------|----------------------------|
| A-C | KG200W-04100 | 66001 | Piston Ring Set | 1 | Piston connecting rod assy |
| A | KG160-04001 | | First air ring | 1 | Piston connecting rod assy |
| B | KG160-04002 | | Second air ring | 1 | Piston connecting rod assy |
| C | KG160-04100 | | Oil ring Assembly | 1 | Piston connecting rod assy |
| D | KG160-01016 | 66181 | Oil dipstick washer | 1 | Cylinder body assy |
| E | KG160-01008 | 66180 | Oil drain plug washer | 1 | Cylinder body assy |
| F | KG160-01017 | | Oil seal | 1 | Cylinder body assy |
| G | GB/T276-1994 | | Rolling bearing 6205 | 2 | Cylinder body assy |
| H | KG160-02014 | 66182 | Washer of exhaust pipe | 1 | Cylinder cover assy |
| I | KG160-02013 | 66888 | Washer of inlet pipe | 1 | Cylinder cover assy |
| J | KG240-02018 | 66183 | Carburetor washer A | 1 | Cylinder cover assy |
| K | KG200GTi-07100 | 66191 | Element assem | 1 | Cylinder cover assy |
| L | KG160-07007 | | Carburetor washer | 1 | Inlet system |
| M | QC/T430-1999 | 66164 | Spark plug WR7DC | 1 | Ignition system |
| N | KG200GTi-02019 | 66884 | Carburetor washer B | 1 | Inlet system |

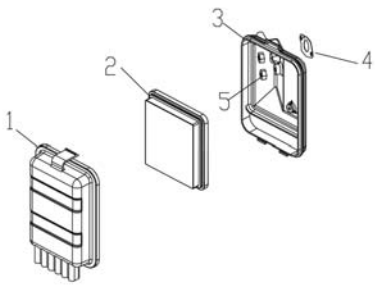
Tightening Torque of Main Bolts and Nuts (N.m)

| No. | Description | Tightening Torque |
|-----|-----------------------|-------------------|
| 1 | Connecting rod bolt | 14-16 |
| 2 | Flywheel nut | 80-90 |
| 3 | Crankcase cover bolt | 20-23 |
| 4 | Cylinder cover bolt | 28-32 |
| 5 | Rocker arm shaft bolt | 20-23 |

KG205GETi-01000 Cylinder Body Assy.

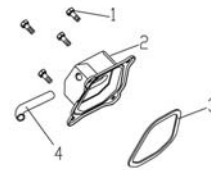


| No. | Manf. # | Order # | Description | Qty. |
|-----|-----------------|---------|------------------------------|------|
| 1 | KG160-01017 | | Oil seal | 1 |
| 2 | GB/T5789-1986 | | Bolt M8X30 | 6 |
| 3 | KG205GETi-01006 | | Crankcase cover | 1 |
| 4 | KG205GETi-01005 | 66869 | Crankcase cover gasket | 1 |
| 5 | GB/T276-1994 | | Rolling bearing 6205 | 2 |
| 6 | KG160-01011 | | Crankcase cover location pin | 2 |
| 7 | KG205GETi-01001 | | Cylinder | 1 |
| 8 | KG160-01008 | 66180 | Oil drain plug gasket | 1 |
| 9 | KG160-01007 | 66179 | Oil drain plug | 1 |
| 10 | KG160-01012 | | Cylinder cover location pin | 2 |
| 11 | KG160-01004 | 66896 | Head Gasket | 1 |
| 12 | KG160-01003 | | Cylinder cover bolt | 4 |
| 13 | KG205GETi-01019 | | Seal washer | 1 |
| 14 | KG160-01016 | 66181 | Oil dipstick gasket | 1 |
| 15 | KG205GETi-01015 | 66415 | Oil dipstick | 1 |



KG205GETi-07000 Inlet Assy.

| No. | Manf. # | Order # | Description | Qty. |
|-----|-----------------|---------|--------------------|------|
| 1 | KG205GETi-07001 | | Air filter base | 1 |
| 2 | KG200GTi-07100 | 66191 | Air filter element | 1 |
| 3 | KG205GETi-07002 | | Air filter cover | 1 |
| 4 | KG160-07007 | | Carburetor washer | 1 |
| 5 | GB/T5789-1986 | | Nut M6 | 2 |



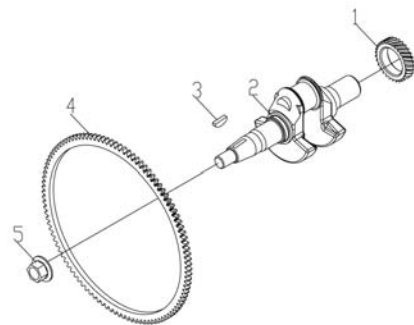
KG205GETi-03000 Cylinder Cover Assy.

| No. | Manf. # | Order # | Description | Qty. |
|-----|-----------------|---------|--------------------|------|
| 1 | GB/T5789-1986 | | Bolt M6X12 | 4 |
| 2 | KG160-03100 | 67191 | Valve Cover | 1 |
| 3 | KG160-03002 | 67192 | Valve Cover Gasket | 1 |
| 4 | KG205GETi-03001 | 66196 | Breather Pipe | 1 |

KG205GETi-11000 Governor & Operation System



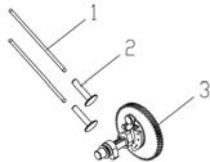
| No. | Manf. # | Order # | Description | Qty. |
|-----|-----------------|---------|------------------------|------|
| 1 | KG205GETi-05002 | | Crankshaft Timing Gear | 1 |



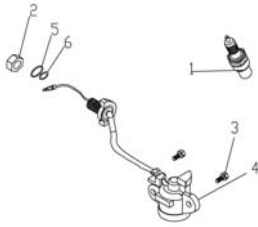
KG205GETi-05000 Crankshaft Assy.

| No. | Manf. # | Order # | Description | Qty. |
|-----|-----------------|---------|------------------------|------|
| 1 | KG205GETi-05002 | | Crankshaft Timing Gear | 1 |
| 2 | KG205GETi-05001 | | Crankshaft | 1 |
| 3 | KG160-05007 | | Key | 1 |
| 4 | KG205GETi-05105 | | Flywheel Gear Ring | 1 |
| 5 | KG160-05004 | | Flywheel Nut | 1 |

KG205GETi-06000 Camshaft Assy.



| No. | Manf. # | Order # | Description | Qty. |
|-----|-------------|---------|-----------------------|------|
| 1 | KG160-06002 | | Valve Pulling Rod | 2 |
| 2 | KG200-06001 | | Valve Supporting Post | 2 |
| 3 | KG200-06100 | | Camshaft Part | 1 |



KG205GETi-14000 Ignition System

| No. | Manf. # | Order # | Description | Qty. |
|-----|-----------------|---------|------------------|------|
| 1 | QC/T430-1999 | 66164 | Spark Plug WR7DC | 1 |
| 2 | GB/T6177.1-2000 | | Nut M10 | 1 |
| 3 | GB/T5789-1986 | | Bolt M6X18 | 2 |
| 4 | KG200Gii-14300 | 66186 | Oil Alarm | 1 |
| 5 | KG160-14002 | | O-ring Seal 1 | 1 |
| 6 | KG160-14003 | | O-ring Seal 2 | 1 |



KG205GETi-15000 Starter Motor System

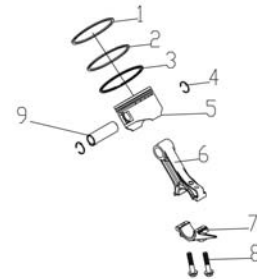
| No. | Manf. # | Order # | Description | Qty. |
|-----|-----------------|---------|--------------------|------|
| 1 | GB/T5789-1986 | | Bolt M6X25 | 2 |
| 2 | KG205GETi-15100 | 66007 | Starter Motor Part | 1 |

KG205GETi-02000 Cylinder Cover Assy.

| No. | Manf. # | Order # | Description | Qty. |
|-----|-----------------|---------|------------------------------------|------|
| 1 | KG160-04001 | | Rocker arm shaft adjuster nut | 2 |
| 2 | KG160-04002 | | Rocker arm shaft | 2 |
| 3 | KG160-04100 | | Valve rocker arm | 2 |
| 4 | KG160-04005 | | Air exhaust valve adjuster cushion | 1 |
| 5 | KG160-04003 | | Rocker arm shaft bolt | 2 |
| 6 | KG160-04201 | | Pulling rod guide plate | 1 |
| 7 | KG160-04202 | | Air exhaust valve spring base | 1 |
| 8 | KG160-04203 | | Valve spring | 2 |
| 9 | KG160-04004 | | Stud AM8X20 | 2 |
| 10 | KG160-02014 | 66182 | Exhaust Pipe Gasket | 1 |
| 11 | KG200-02100 | | Cylinder cover machining parts | 1 |
| 12 | KG160-02005 | | Outlet valve | 1 |
| 13 | KG160-02004 | | Intake valve | 1 |
| 14 | KG200GTi-02019 | 66884 | Carburetor washerB | 1 |
| 15 | KG160-02013 | 66888 | Inlet pipe washer | 1 |
| 16 | KG205GETi-02017 | | Carburetor collets | 1 |
| 17 | KG160-02018 | 66183 | Carburetor washerA | 1 |
| 18 | KG160-02015 | | Air intake pipe stud | 2 |
| 19 | KG160-02012 | | Air intake valve pipe seal | 1 |
| 20 | KG160-02001 | | Air intake valve spring base | 1 |

KG205GETi-10000 Carburetor Assy.

| No. | Manf. # | Order # | Description | Qty. |
|-----|----------------|---------|---------------------|------|
| 1 | KG200GTi-10000 | 66006 | Carburetor Assembly | 1 |



KG205GETi-04000 Piston Connecting Rod Assy.

| No. | Manf. # | Order # | Description | Qty. |
|-----|--------------|---------|----------------------|------|
| 1-3 | KG200W-04100 | 66001 | Piston Ring Set | 1 |
| 1 | KG160-04001 | | First air ring | 1 |
| 2 | KG160-04002 | | Second air ring | 1 |
| 3 | KG160-04100 | | Oil ring part | 1 |
| 4 | KG160-04005 | | Shield ring | 2 |
| 5 | KG160-04003 | | Piston | 1 |
| 6 | KG160-04201 | | Connecting rod body | 1 |
| 7 | KG160-04202 | | Connecting rod cover | 1 |
| 8 | KG160-04203 | | Connecting rod bolt | 2 |
| 9 | KG160-04004 | | Piston pin | 1 |

