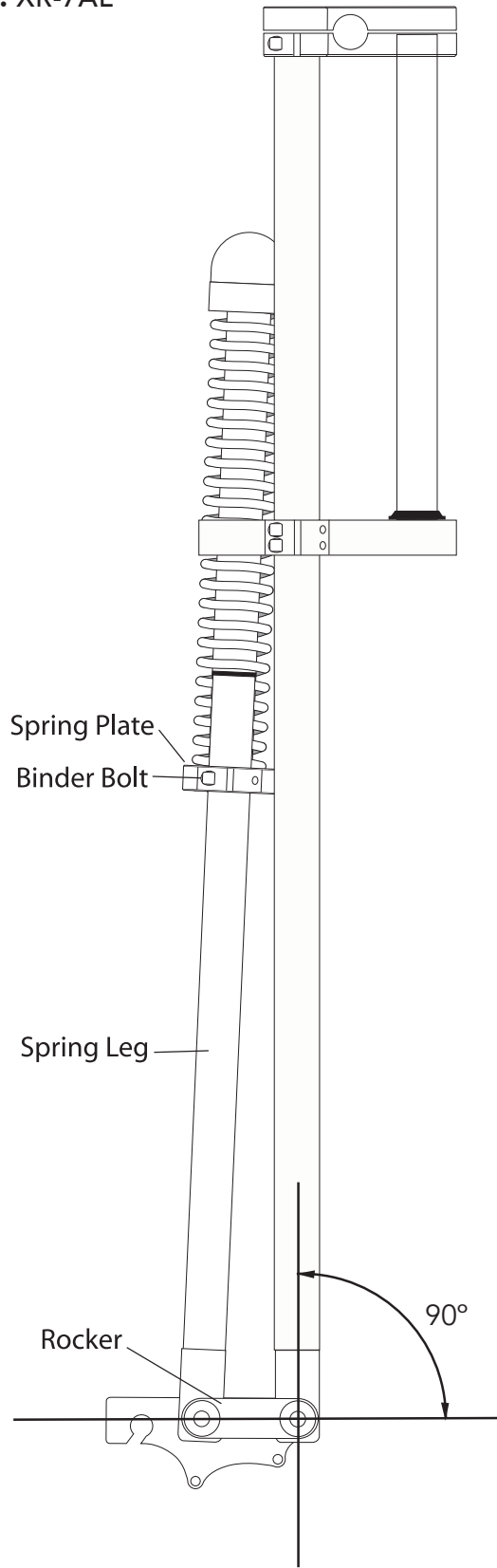


Linkage w/ Double Top Plate: Alignment

Models: XR-7AL



The Rocker Angle is adjusted by moving the Spring Leg up or down in the Spring Plate.

- 1** Loosen the Spring Plate Binder Bolts (2) Move the legs up or down until the rockers are approximately 90° to the legs.
- 2** Tighten only one of the Spring Leg binder bolts then install the front wheel.
- 3** Adjust the other leg up or down until the wheel is centered and straight in the forks and tighten the remaining binder bolt.

