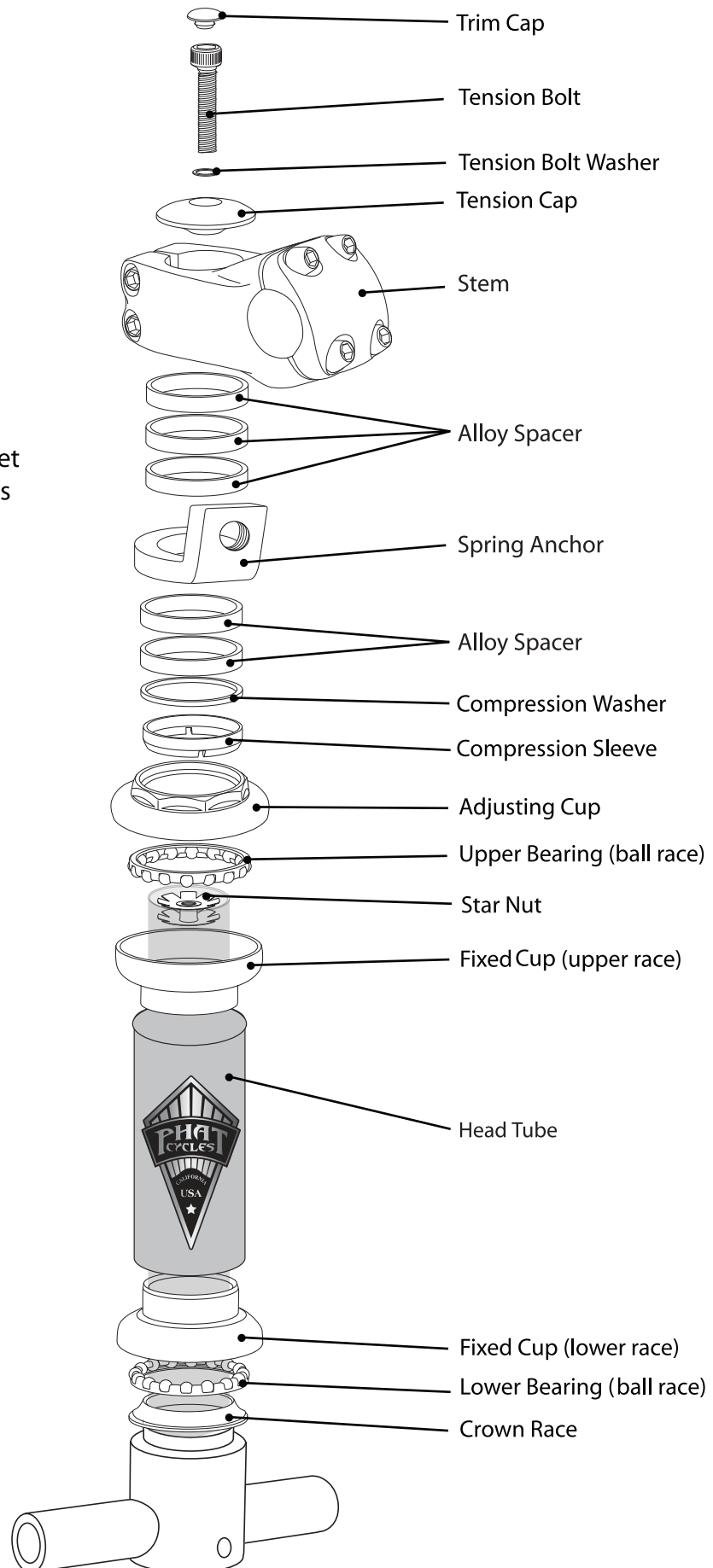
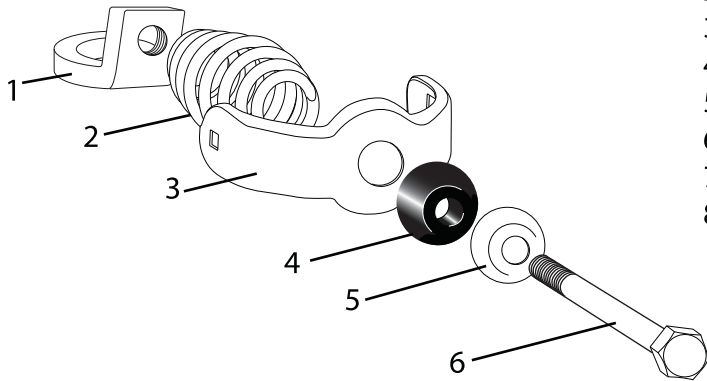


Springer w/ Double Clamp Stem: Head Set / Fork Assembly

A-Head Style threadless headset with conventional ball bearings designed for a BMX style double clamp stem.





- 1 Spring Anchor
- 2 Spring
- 3 Spring Collar
- 4 Spring Rubber
- 5 Spring Rubber Cap
- 6 Spring Bolt
- 7 Steerer Tube
- 8 Knee Bolt Tube

- 9 Knee Bolt
- 10 Knee Bolt Bushing
- 11 Knee Bolt Cap Nut
- 12 Spring Leg Carrage Bolt
- 13 Spring Leg Nut
- 14 Right Fork Leg
- 15 Left Fork Leg
- 16 Right Fork Brace
- 17 Left Fork Brace

