

1

2

3

4

5

A

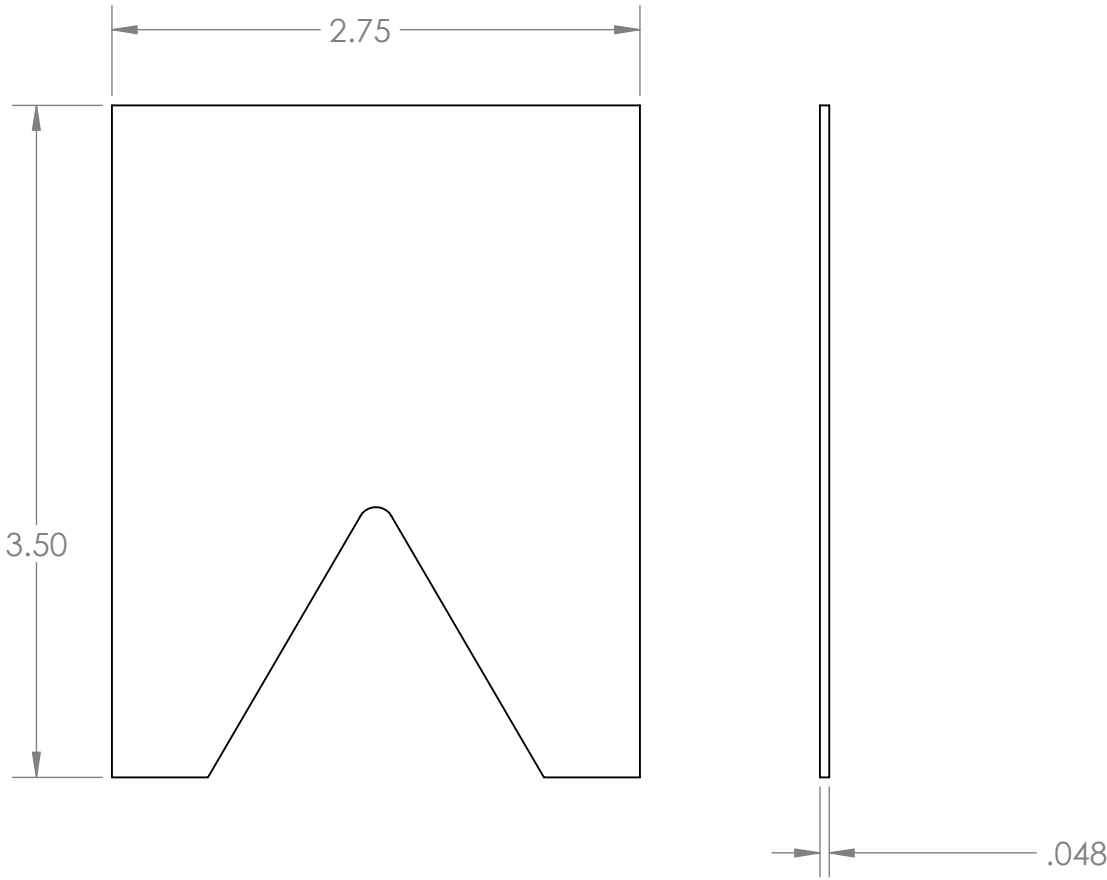
A

B

B

C

C



PROPRIETARY NOTICE

This drawing is considered proprietary property and shall not be reproduced, copied, or lent for any other purpose than for which it is specifically furnished. All information herein is to remain confidential and must be returned to the providing party upon demand.

Drawing #	TT-150-014	Rev	-
Title:			
Material Description:	304 SS		

Tolerances unless otherwise specified:	
0.0 = ±0.1	≤ = ±1°
0.00 = ±0.01	0/0 = ±1/16
0.000 = ±0.005	Units = INCHES

Drawn By :	-
Date :	11/1/2016
Project # :	-
Weight :	

Tallgrass Solutions, Inc
 36780 Tallgrass Rd. Manhattan, KS

1

2

3

4

5

1

2

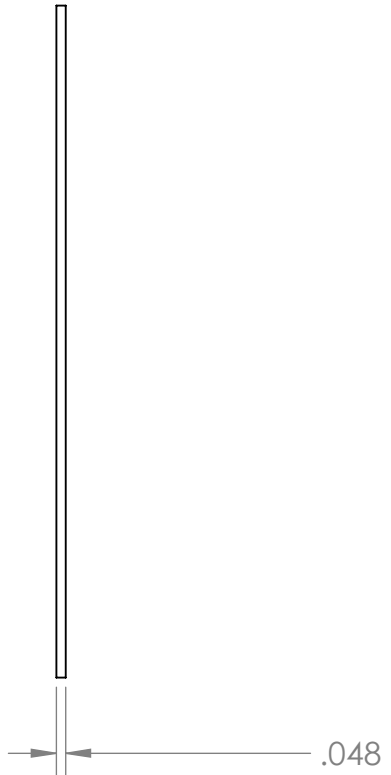
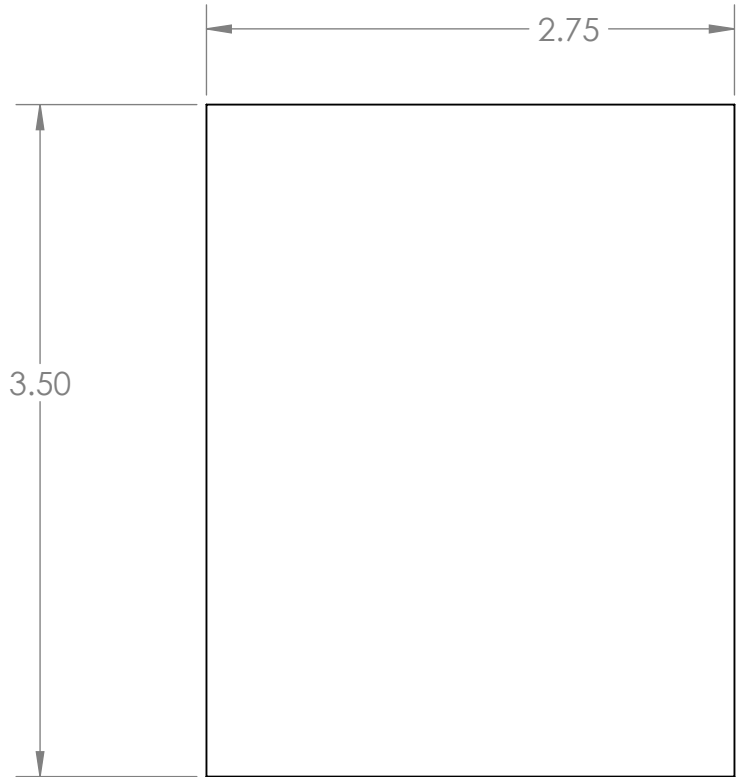
3

4

5

A

A



B

B

C

C

PROPRIETARY NOTICE

This drawing is considered proprietary property and shall not be reproduced, copied, or lent for any other purpose than for which it is specifically furnished. All information herein is to remain confidential and must be returned to the providing party upon demand.

Drawing #	TT-150-054	Rev	-
Title:			
Material Description:	304 SS		

Tolerances unless otherwise specified:
 0.0 = ±0.1 $\leq 30^\circ$ = ±1°
 0.00 = ±0.01 0/0 = ±1/16
 0.000 = ±0.005 Units = INCHES

Drawn By :	-
Date :	11/1/2016
Project # :	-
Weight :	

Tallgrass Solutions, Inc
 36780 Tallgrass Rd. Manhattan, KS

1

2

3

4

5