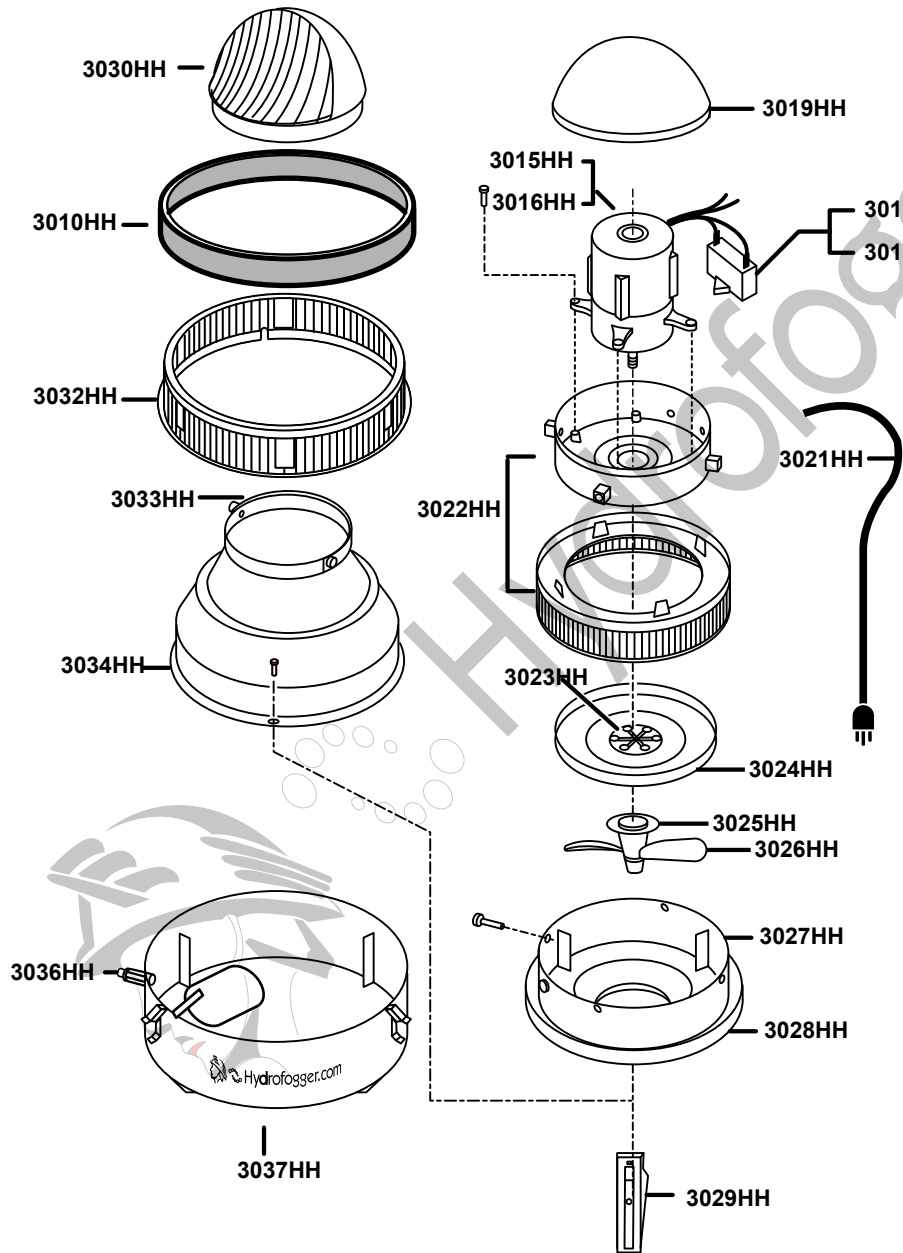


# HydroFogger



PART#	DESCRIPTION	QTY
3010HH	AIR FILTER	1
3015HH	MOTOR (115V/60Hz) North American	1
3016HH	MOTOR (230V/50Hz) Foreign	1
3017HH	CAPACITOR (115V/60Hz) North American	1
3018HH	CAPACITOR (230V/50Hz) Foreign	1
3019HH	MOTOR COVER	1
3021HH	CORD	1
3022HH	ATOMIZING SCREEN + MOTOR SUPPORT	1
3023HH	HUB ASSEMBLY	1
3024HH	DISK	2
3025HH	PUMP	1
3026HH	FAN BLADE	1
3027HH	MID PAN	1
3028HH	LOWER PAN	1
3029HH	LEG	3
3030HH	FOGGING HEAD	1
3032HH	SCREEN	1
3033HH	HANDLE	1
3034HH	HOUSING	1
3036HH	FLOAT VALVE KIT	1
3037HH	RESERVOIR PAN	1