



☎ : 800-741-1258
☎ : 866-709-2802
P.O. Box 15, Ashley | ✉ : Sales@loadingdocksupply.com
Oh 43003 | 🌐 : www.Loadingdocksupply.com

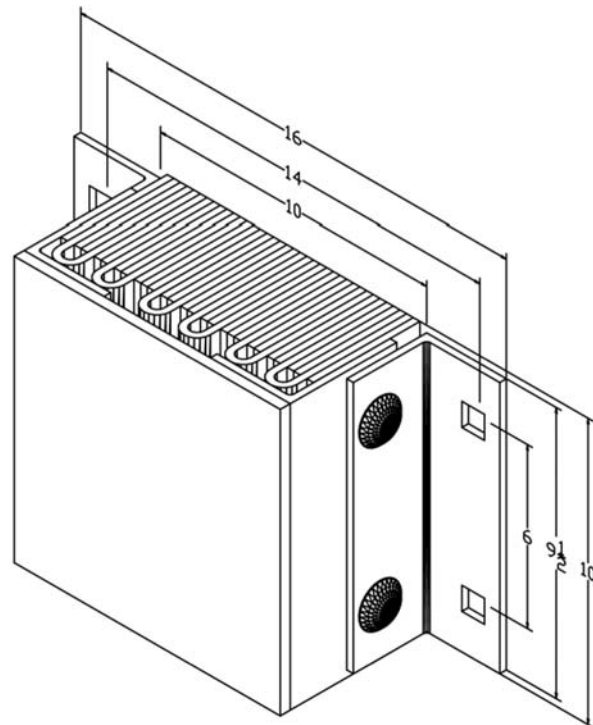
MODEL: B5510-14DS

Size

Projection 5-1/2"
Height 10"

Length

-Overall 16"
-Anchor Holes 14"
-Rubber 10"
Angle Size (2) 1/4"x3"x3"x9-1/2"
Slot Angle Size (2) 1/4"x3"x4"x10"
Face Plate Size (1) 3/8"x10"x10"



All measurements are within +/- 1/8"