

## MODEL: *B5510-18-DS*

### *Size*

Projection 5-1/2"

Height 10"

### *Length*

-Overall 20"

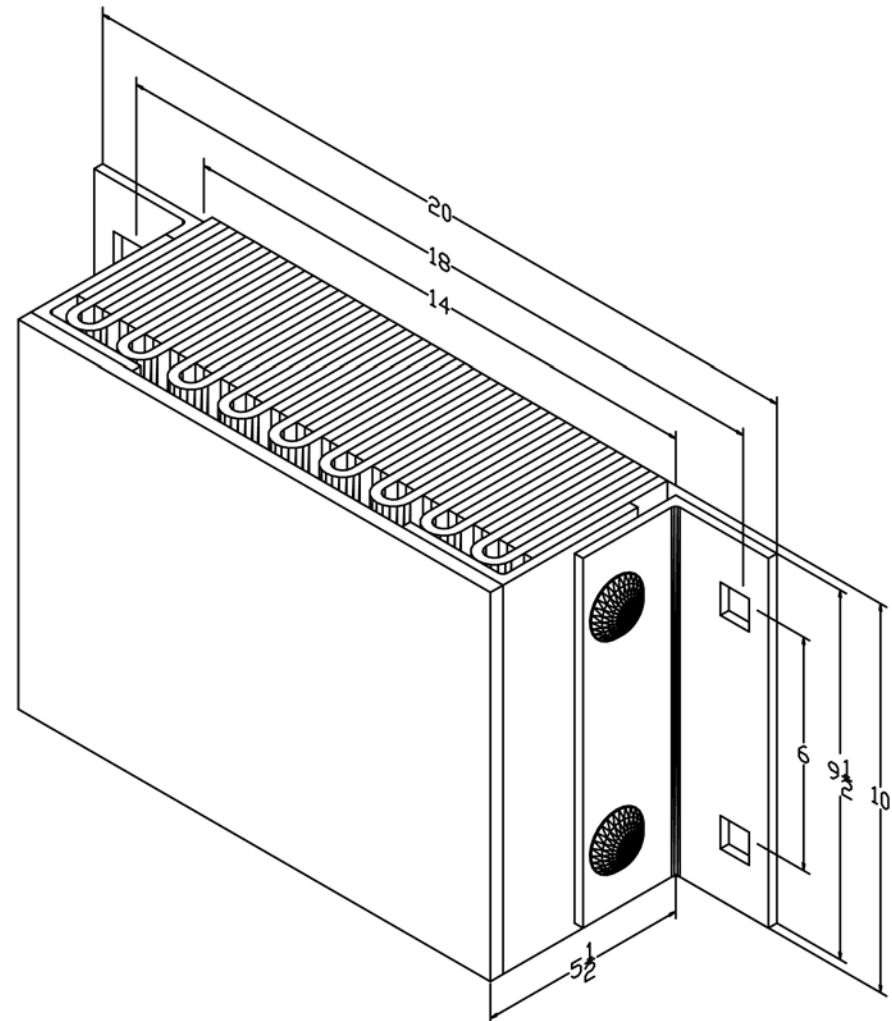
-Anchor Holes 18"

-Rubber 14"

Angle Size 1/4"x3"x3"x9-1/2"

Slot Angle Size 1/4"x3"x4"x10"

Face Plate Size 3/8"x10"x14"



All measurements are within +/- 1/8"