

EXTRA-LENGTH LAMINATED BUMPERS

USES/APPLICATIONS

- Primarily used in conjunction with dock seals
- Ideal for sealing in/out heat, cold, bugs, dust and debris
- Provides continuous protection across face of dock for applications where trucks back in at an angle

INSTALLATION

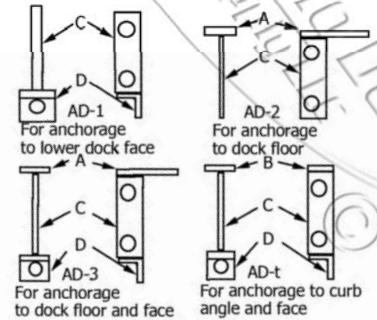
- Structural steel angles mechanically fastened or welded by 3/4" anchors to dock face
- Four anchorage device options for welded and anchored applications

SPECIFICATIONS

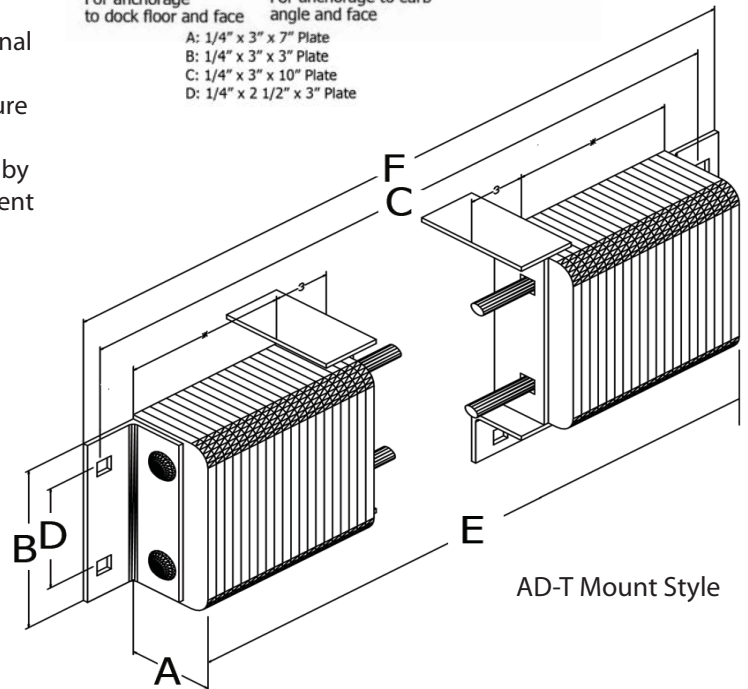
- Resilient rubber material of bumpers shall be sourced from truck tires cut to uniform size pads and punched to receive 3/4" supporting rods
- All bumpers compressed under approximately 1,500 lbs of pressure, steel angles secured by 1/4" steel rods passing through tire sections
- The anchor leg of the angle extends a minimum of 3" beyond the rubber surface at either end and contains 13/16" anchor bolt holes as required (anchor bolts supplied separately)
- Galvanized available upon request, surcharges apply

FEATURES

- Dock seal and bumper interact to totally seal the truck to the dock
- Provides continuous protection for truck, cargo, dock/shelter from wind, snow, heat, rain, and pests
- Custom lengths available
- Four styles of mounting tabs provide a superior mount for a variety of uses
- Tough plies of truck tires provide superior resistance to chipping or abrasion; unlike molded rubber, extruded rubber, conveyor belting or wood plank bumpers
- Attractive deep black color stimulates a neat, professional look for your loading dock
- Manufactured under pressure exceeding 1,500 lbs.
- Anchor bolts are protected by at least 3" of rubber to prevent damage



A: 1/4" x 3" x 7" Plate
 B: 1/4" x 3" x 3" Plate
 C: 1/4" x 3" x 10" Plate
 D: 1/4" x 2 1/2" x 3" Plate



AD-T Mount Style

Model	Standard Sizes (A x B x C)	D Vertical Bolt Hole Centers	E Rubber Length	F Overall Length	Approximate Weight	# Anchorage Devices
B4506-87-A*	4.5" X 6" X 87"	3"	83"	89"	98	2
B4506-99-A*	4.5" X 6" X 99"	3"	95"	105"	121	2
B4510-51-A*	4.5" X 10" X 51"	6"	47"	57"	101	1
B4510-63-A*	4.5" X 10" X 63"	6"	59"	69"	124	1
B4510-75-A*	4.5" X 10" X 75"	6"	71"	81"	147	1
B4510-87-A*	4.5" X 10" X 87"	6"	83"	93"	172	2
B4510-99-A*	4.5" X 10" X 99"	6"	95"	105"	193	2
B4510-111-A*	4.5" X 10" X 111"	6"	107"	117"	218	3
B4510-123-A*	4.5" X 10" X 123"	6"	119"	129"	238	3
B4512-51-A*	4.5" X 12" X 51"	4"	47"	57"	120	1
B4512-63-A*	4.5" X 12" X 63"	4"	59"	69"	120	1
B4512-75-A*	4.5" X 12" X 75"	4"	71"	81"	175	1
B4512-87-A*	4.5" X 12" X 87"	4"	83"	93"	202	2
B4512-99-A*	4.5" X 12" X 99"	4"	95"	105"	230	2
B4512-111-A*	4.5" X 12" X 111"	4"	107"	117"	258	3
B4512-123-A*	4.5" X 12" X 123"	4"	119"	129"	284	3

More sizes available online @loadingdocksupply.com

*Standard mounting style will be AD-3