

USES/APPLICATIONS

- Edge of Dock levelers and pit levelers
- Perfect protection for any low traffic truck dock
- In-plant wall protection from forklifts and other material Handling equipment

MATERIAL

- High Quality Rubber Blend

SPECIFICATIONS

- Nylon and polyester reinforced rubber molded to specific dimensions
- Bumpers have a durometer reading of 80 ± 5 , tensile strength of 950-1050 PSI, and an impact recovery of 95% (ASTM 1170)

INSTALLATION

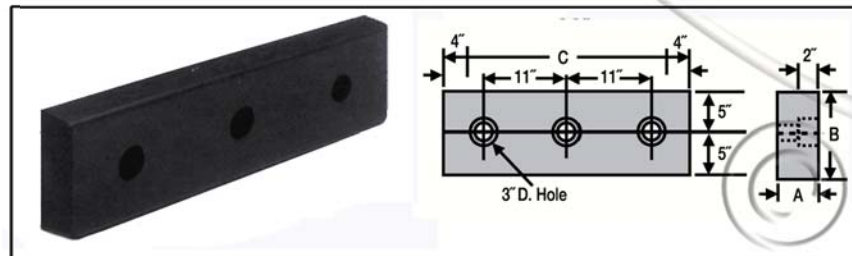
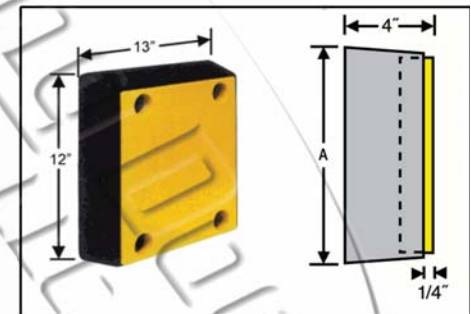
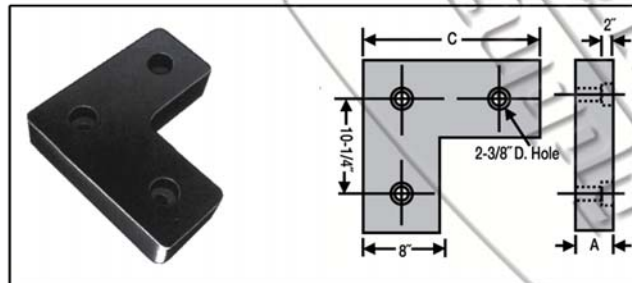
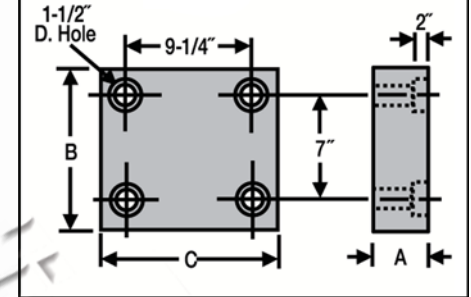
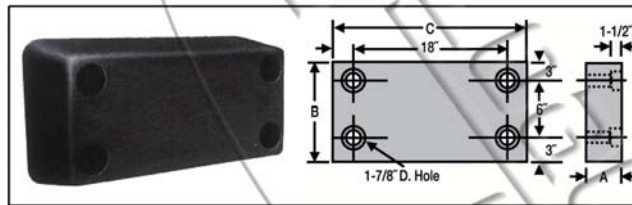
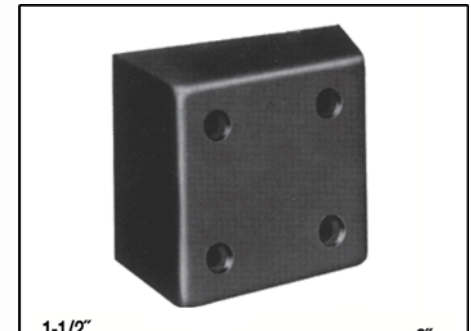
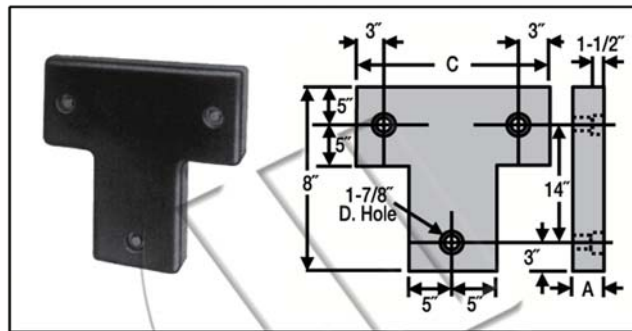
- Installation is easy—All models have predrilled countersunk mounting holes for fast installation (drilled to accept $\frac{3}{4}$ " anchor bolts)

FEATURES

- Creates a clean, neat, attractive dock appearance
- Molded in one piece
- Will not warp or rust
- Compact in size

BENEFITS

- Unique design and construction achieves the highest impact resistance
- Immune to all weather conditions
- Maintenance free
- Offers the correct amount of resilience to absorb pressure and impact shock without damage to truck or dock
- One year warranty



Model	A Thickness	B Height	C Width	Approximate Weight
T	3"	22"	22"	35
L	4"	18"	18"	33
R	4"	12"	13"	22
SS1213	4"	12"	13"	25
M-18	4"	10"	18"	27
M-30	4"	10"	30"	43
B	3"	12"	24"	29
BB	4"	12"	24"	38
BBB	6"	12"	24"	67
M-2818	2"	8"	18"	11
DB-13	4"	10"	13"	18
TB-10	3/4"	2 7/8"	6"	3
TB-20	3 1/2"	3 1/4"	6 1/2"	3
TB-60	2"	2 1/2"	7 7/8"	3
DBE-10	3"	4 1/2"	10"	5
DBE-20	3"	4 1/2"	20"	10
DBE-30	3"	4 1/2"	30"	15