

STEEL-FACED BUMPERS



USES/APPLICATIONS

- Mechanical/Welded Fastening to the loading dock
- Ideal for use in docking areas where excessive friction from up and down trailer movement occurs.
- Can be used in any material-Handling system area where heavy-duty protection is required
- Ideal for docks receiving air ride trailers
- Protection above low docks
- Wall protection from forklifts and other material handling equipment

INSTALLATION

- Structural steel angles welded or mechanically fastened by 3/4" anchors to dock face

MATERIAL

- Black powder coated heavy duty 3/8" thick high carbon steel, mounted to standard laminated dock bumper face
- Fabric reinforced rubber pads cut from selected recycled truck tires
- Black powder coated steel angles
- 3/4" steel tie rods

SPECIFICATIONS

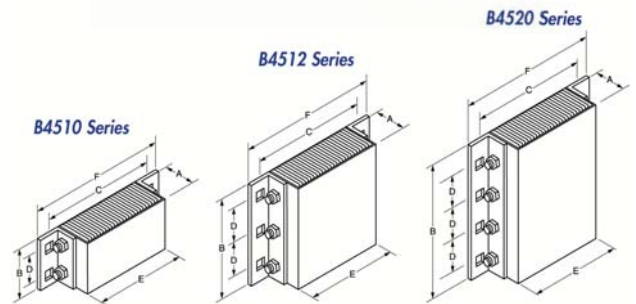
- Bumper to have 3/8" steel face plate equal to the rubber surface dimensions
- Resilient rubber material of bumpers shall be sourced from truck tires cut to uniform size pads and punched to receive 3/4" supporting rods
- All bumpers compressed under approximately 1,500 lbs of pressure, steel angles secured by 1/4" steel rods passing through tire sections
- The anchor leg of the angle extends a minimum of 3" beyond the rubber surface at either end and contains 13/16" anchor bolt holes as required (anchor bolts supplied separately)

FEATURES

- Deflects and absorbs shock with floating steel face
- Weldable flat plate options available at no additional cost *lead times apply
- Attractive deep black color stimulates a neat, professional look for your loading dock
- Manufactured under pressure exceeding 1,500 lbs.

BENEFITS

- Provides protection against vehicle damage to docks, buildings and cargo
- Leading bumper brand sold in the U.S.
- Standard sizes shipped within 24 hrs.
- Eliminates costly repairs from Severe shock to docks
- Constructed to last and provide years of protection
- Anchored through thick steel angles to provide stability and shape retention
- Impervious to prolonged exposure of weather
- 5 Year warranty



Model	Standard Sizes (A x B x C)	D Vertical Bolt Hole Centers	E Rubber Length	F Overall Length	Approximate Weight
B4510-14-SF	5.25" X 10" x 14"	6"	10"	16"	48
B4510-18-SF	5.25" X 10" x 18"	6"	14"	20"	58
B4510-24-SF	5.25" X 10" x 24"	6"	20"	26"	73
B4510-36-SF	5.25" X 10" x 36"	6"	32"	38"	117
B4512-14-SF	5.25" X 12" x 14"	4"	10"	16"	58
B4512-18-SF	5.25" X 12" x 18"	4"	14"	20"	72
B4512-24-SF	5.25" X 12" x 24"	4"	20"	26"	90
B4512-36-SF	5.25" X 12" x 36"	4"	32"	38"	145
B4520-11-SF	5.25" X 20" x 11"	6"	7"	13"	73
B4524-11-SF	5.25" X 24" x 11"	4"	7"	13"	88
B4536-11-SF	5.25" X 36" x 11"	4"	7"	13"	155
B610-14-SF	6.75" X 10" x 14"	6"	10"	16"	55
B610-18-SF	6.75" X 10" x 18"	6"	14"	20"	65
B610-24-SF	6.75" X 10" x 24"	6"	20"	26"	85
B610-36-SF	6.75" X 10" x 36"	6"	32"	38"	129
B612-14-SF	6.75" X 12" x 14"	4"	10"	16"	62
B612-18-SF	6.75" X 12" x 18"	4"	14"	20"	78
B612-24-SF	6.75" X 12" x 24"	4"	20"	26"	105
B612-36-SF	6.75" X 12" x 36"	4"	32"	38"	166
B620-11-SF	6.75" X 20" x 11"	4"	7"	13"	83
B624-11-SF	6.75" X 24" x 11"	4"	7"	13"	100
B636-11-SF	6.75" X 36" x 11"	4"	7"	13"	160

NOTE: 1/4" flat plates may be substituted for one or both angles.

*Thin Steel Face with overall thickness of 4 1/8" is available at no additional charge. Please specify when ordering.