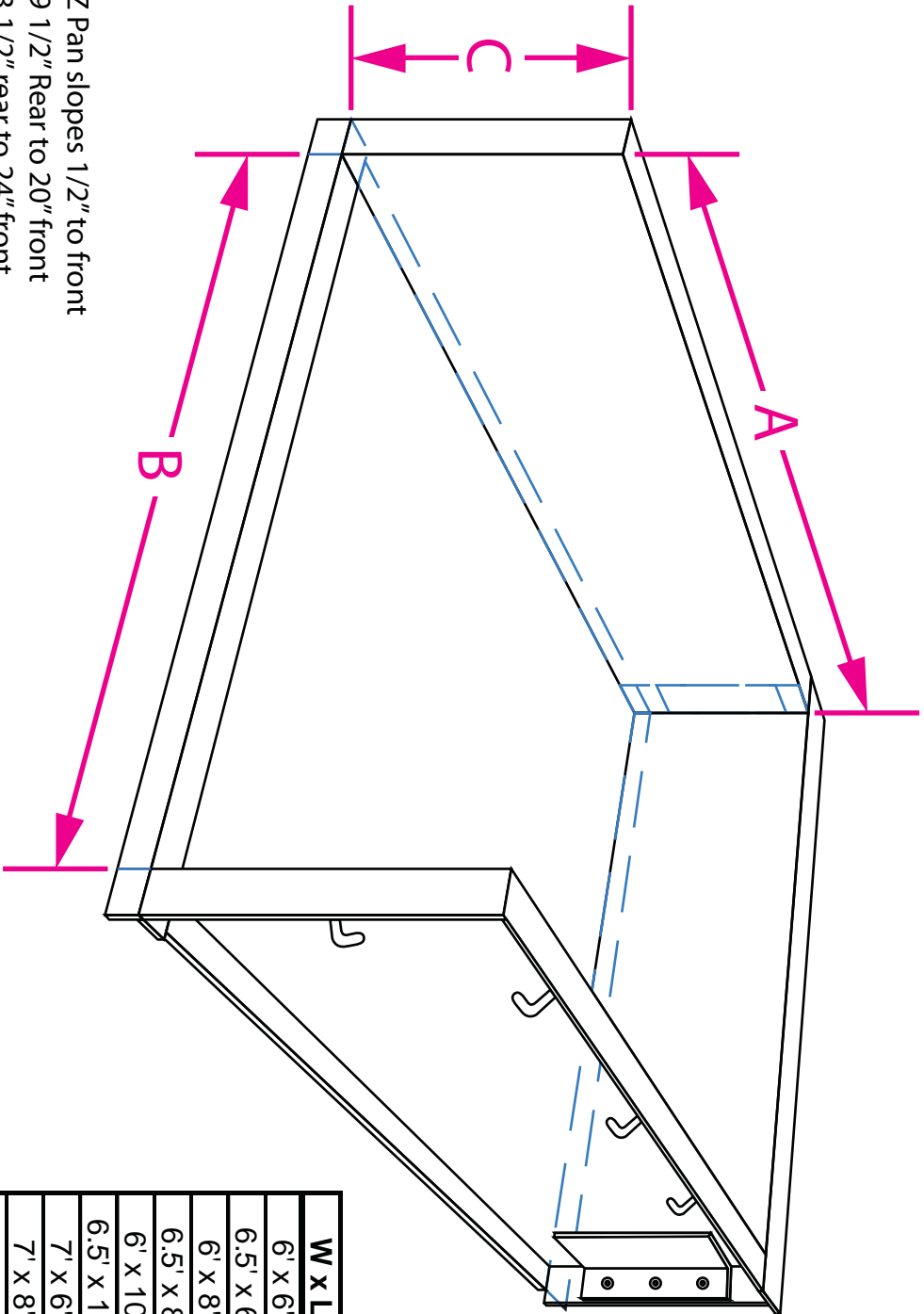




☎ : 800-741-1258
 📞 : 866-709-2802
 5405 Keating Rd. NW
 Olympia, Wa 98502
 ✉ : Sales@loadingdocksupply.com
 🌐 : www.loadingdocksupply.com



➔ Bolt Sections Together

NOTE:
 EZ Pan slopes 1/2" to front
 19 1/2" Rear to 20" front
 23 1/2" rear to 24" front
 Pre-poured pad should slope 1/2" rear to front

W x L	A	B	C
6' x 6'	63"	74"	20"
6.5' x 6'	63"	80"	20"
6' x 8'	87"	74"	20"
6.5' x 8'	87"	80"	20"
6' x 10'	111"	74"	24"
6.5' x 10'	111"	80"	24"
7' x 6'	63"	85"	20"
7' x 8'	87"	85"	20"
7' x 10'	111"	85"	24"

TOLERANCES:
 Unless specified
 Inch Dimn. + 1/32
 Decimal Dimn. + .005
 Angles +1

MATERIAL SPECIFICATIONS
 3/16" x 3" x 3" Angle
 14 ga. Plate

Loading Dock Supply
 MODEL:
 MATERIAL: 14 ga. Steel Plate
 5405 Keating Rd NW Olympia, WA 98502
 PART: EZ Pan
 DRAWN:
 DATE: