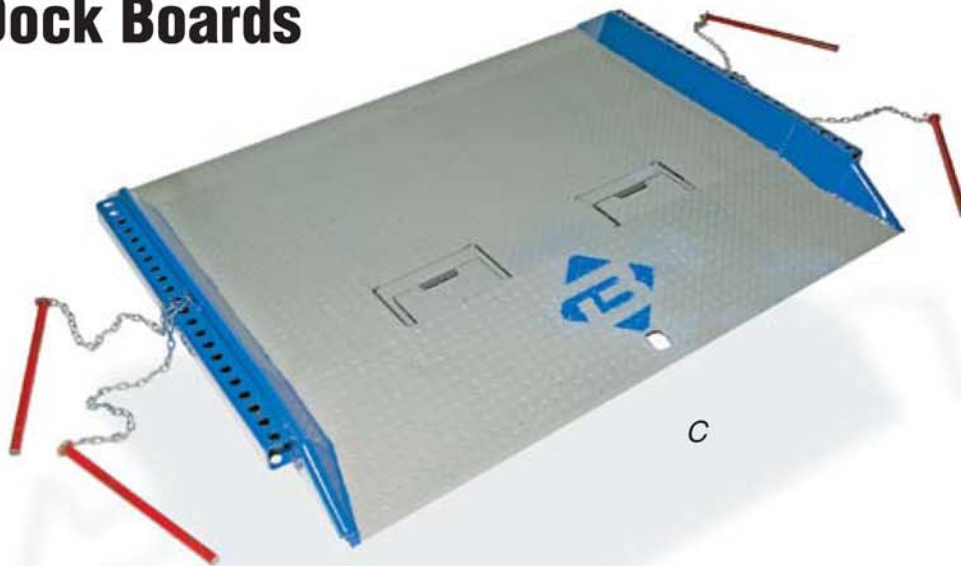


## Red Pin Steel Dock Boards



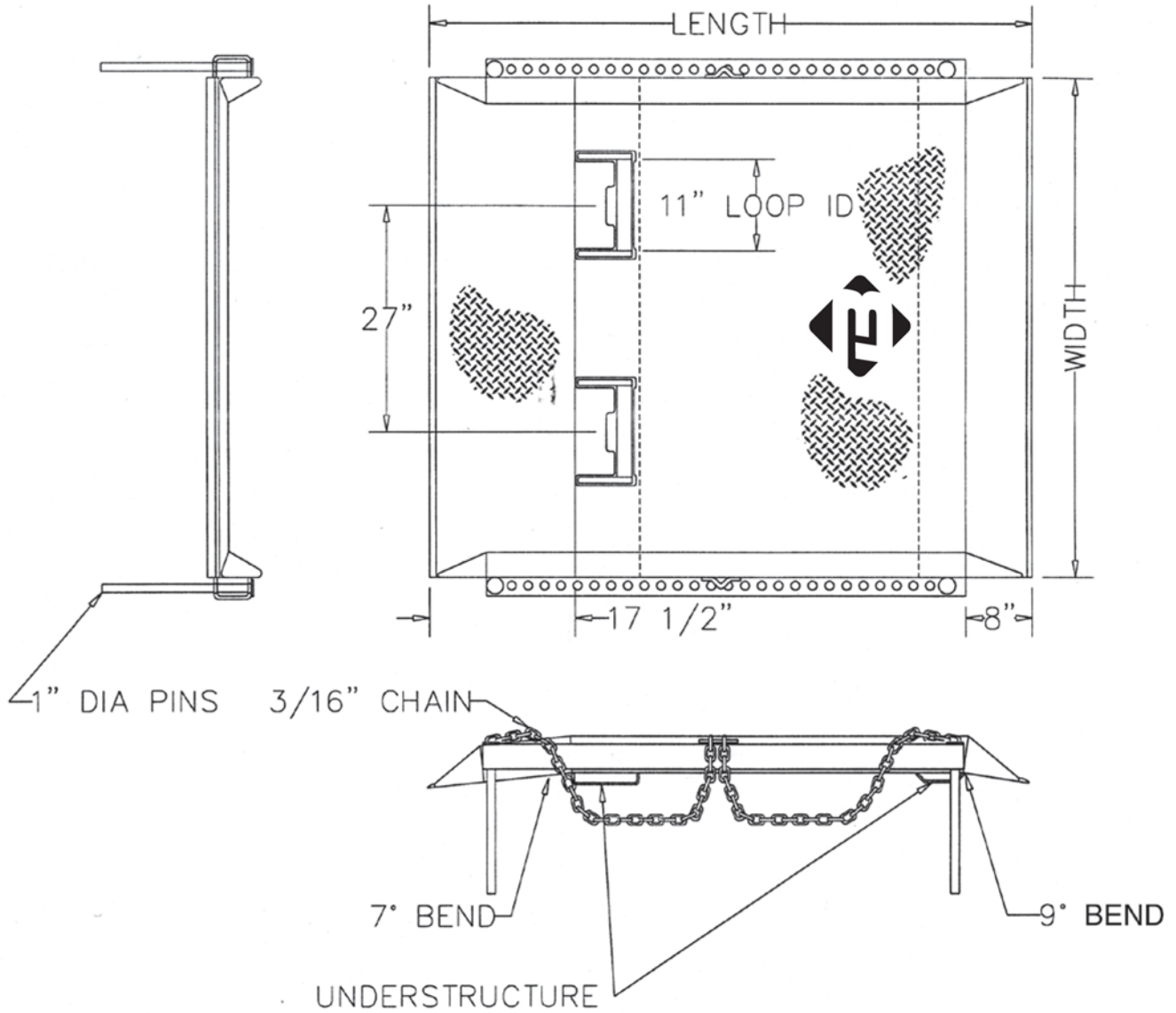
### RED PIN STEEL DOCK BOARD (C)

- For difficult trailer-to-dock positions
- Dual-pin locking system
- All-welded steel construction
- Capacities from 15,000 to 40,000 pounds

The red pin dock board utilizes full length side pockets along with two locking pins for each side. These pins provide safe loading conditions for container and park-out applications. Widths from 60" to 96". Lengths from 48" to 120".

Manufactured and tested in compliance with  
ANSI Standard MH30.2

## STEEL RED PIN DOCK BOARDS MODEL C



**15C6072**

\_\_\_\_\_ LENGTH  
 \_\_\_\_\_ WIDTH  
 \_\_\_\_\_ MODEL  
 \_\_\_\_\_ 15,000 LB CAPACITY

BOARD LENGTH

48"-60"  
66"-72"  
78"-84"  
90"-96"

PIN LENGTH

20"  
24"  
30"  
36"