

Walk Ramps

*Lightweight, yet
strong – for safe and
secure foot traffic*



HOOK MODEL



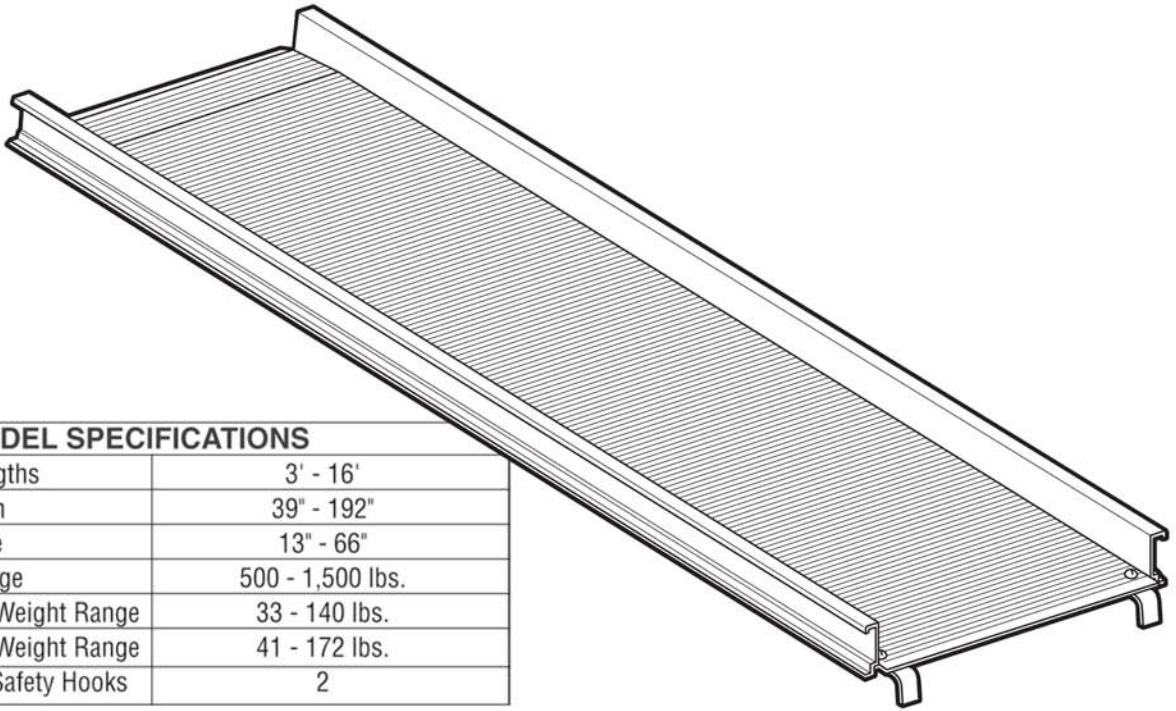
APRON MODEL

WALK RAMPS

- Twin-tooth deck for better traction when traveling in either direction
- Strong, lightweight aluminum construction makes ramps easily portable and convenient
- All apron models complete with 8" apron; 3 1/4" position stop; safety chains
- All hook models complete with two heavy-duty safety hooks

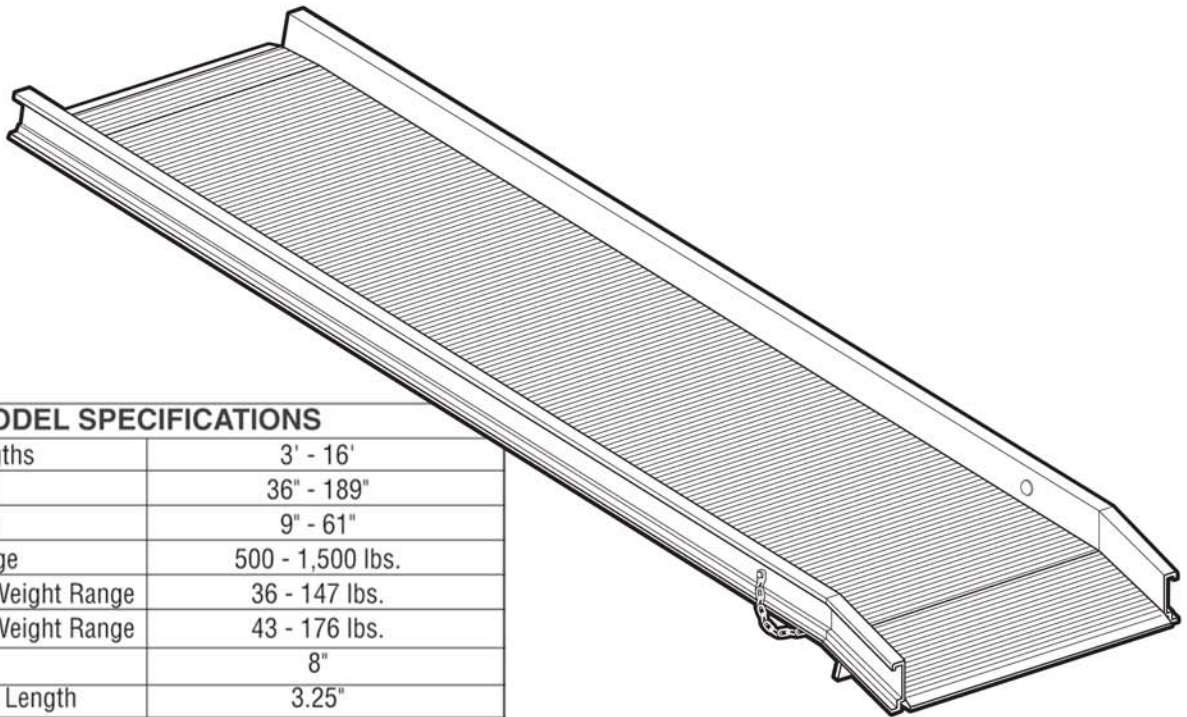
Note: Walk ramps are not made for powered equipment or pallet jack use. Walk ramps are intended for foot traffic use only.

WALK RAMPS



HOOK MODEL SPECIFICATIONS

Nominal Lengths	3' - 16'
Actual Length	39" - 192"
Height Range	13" - 66"
Capacity Range	500 - 1,500 lbs.
2900 Series Weight Range	33 - 140 lbs.
3900 Series Weight Range	41 - 172 lbs.
Heavy-Duty Safety Hooks	2



APRON MODEL SPECIFICATIONS

Nominal Lengths	3' - 16'
Actual Length	36" - 189"
Height Range	9" - 61"
Capacity Range	500 - 1,500 lbs.
2900 Series Weight Range	36 - 147 lbs.
3900 Series Weight Range	43 - 176 lbs.
Apron Size	8"
Position Stop Length	3.25"
Safety Chains	36"