



Date: \_\_\_\_\_ Phone: \_\_\_\_\_

Company: \_\_\_\_\_

Name: \_\_\_\_\_

## STEEL & ALUMINUM WHEEL RISERS WORKSHEET

**IMPORTANT:** Please provide a basic description of the type of application at your location.

\_\_\_\_\_

\_\_\_\_\_

\_\_\_\_\_



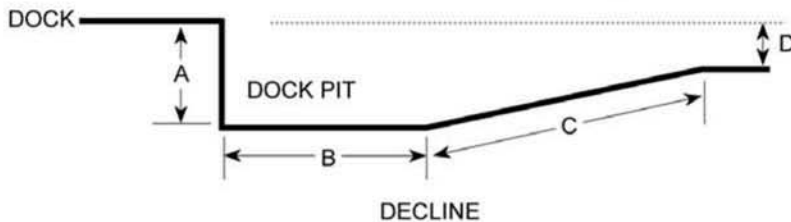
**Model SWR:**  
Steel Wheel Riser



**Model AWR:**  
Aluminum Wheel Riser

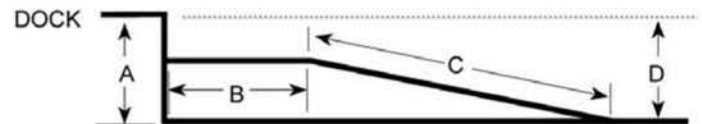
1. Are you interested in steel or aluminum wheel risers? \_\_\_\_\_
2. Is there an edge of dock leveler at this location? \_\_\_\_\_
3. What is the capacity required? \_\_\_\_\_ lbs.
4. Is the truck single or tandem axle? \_\_\_\_\_ (determines top length)
5. Does the have truck single or dual tires? \_\_\_\_\_ (determines width)
6. Are fork pockets required? \_\_\_\_\_ (not available on riser under 4" tall)
7. What type of surface are the risers to be placed upon? \_\_\_\_\_
8. Does the dock incline or decline? If so, please provide measurements below on diagram.
9. What are the typical height differences you are seeing? (Please provide answer.) \_\_\_\_\_

**\*Measure from the dock face, not the dock bumpers.**



**DECLINE**

DIM. A \_\_\_\_\_ inches  
 \* DIM. B \_\_\_\_\_ inches  
 DIM. C \_\_\_\_\_ inches  
 DIM. D \_\_\_\_\_ inches



**INCLINE**

DIM. A \_\_\_\_\_ inches  
 \* DIM. B \_\_\_\_\_ inches  
 DIM. C \_\_\_\_\_ inches  
 DIM. D \_\_\_\_\_ inches

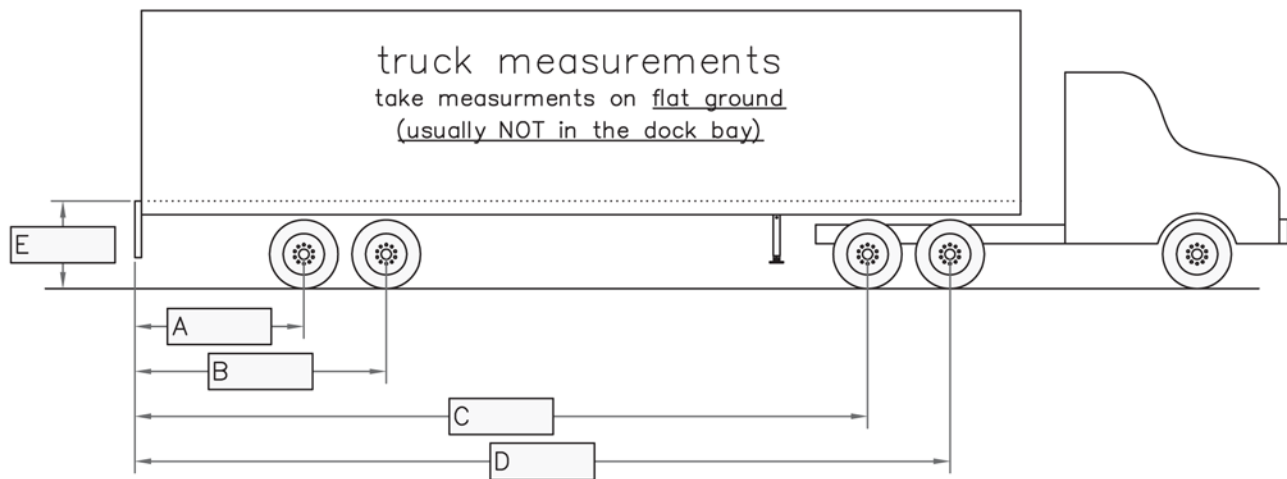
Cont'd . . .

Please provide the additional information about your vehicles.

\* Record all dimensions with truck parked on a flat surface, (usually NOT in the dock bay).

Provide ALL the information that is applicable. If you service both types of trucks, please provide dimensions for both.

### Truck type 1: Semi-trailer truck



---

### Truck type 2: Box deliver truck or van

