

CAT3 MODULAR PLUG 2 PRONG 50u" GOLD PLATED

Cat5eCableGuy.Com

DESCRIPTION

Category 3, RJ11 Modular, 6P 4C,
50 Micro-inches Gold Plated.

FEATURES

- 50 Micro-Inches Gold Plated 2 prong
- For Round Solid and Stranded wire
- 24AWG - 26AWG Cable



Electrical

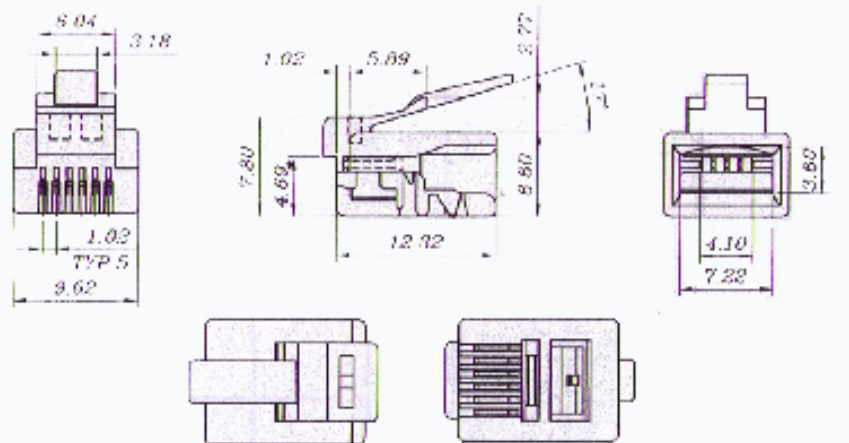
UL Applications	250Volts AC Max, AT 2 Amps
Dielectric Withstanding Voltage	500Volts AC
Insulation Resistance	100m Ω
Termination Resistance	20m Ω Max
	After Environmental Testing

Mechanical

Cable to Plug Tensile Strength	12lbs
Durability	200 Mating Cycles

Material

Housing	Polycarbonate
Color	Transparent
Contact Blade	Copper Alloy 2 Prong
Conductor Type	For Solid and Stranded Wire
Conductor Size	For 24AWG - 26AWG
Gold Plating	50u"



Cat5eCableGuy.Com
Where Quality Cable is on Sale!