

# CAT5E RJ45 MODULAR PLUG (FEED THROUGH STYLE)

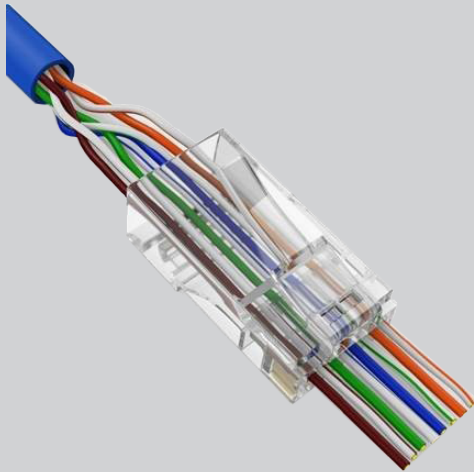


## DESCRIPTION

Category 5E, RJ45 Modular Connector,  
Feed Through.

## FEATURES

- Feed through design
- Fast and easy to terminate
- Easier sequence verification
- Gold plated terminal contact
- For solid and stranded cable



## SKU: 011-018/EZF-100

### Electrical

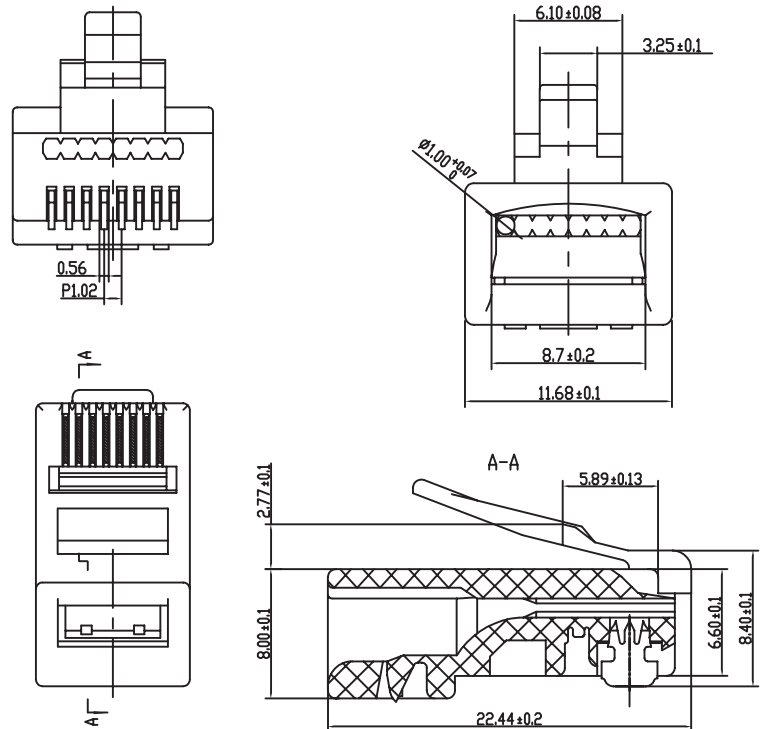
Voltage Rating	150 VAC RMS
Current Rating	1.5 Amps
Termination Resistance	20m $\Omega$ Max
Insulation Resistance	1000m $\Omega$ Min. @ 500V DC

### Mechanical

Cable to Plug Tensile Strength	20 lbs
Durability	500 Cycles Min.

### Material

Housing	Polycarbonate UL94V-2
Contact Blade	Gold Plated (3 Prong)
Conductor Type	For Solid and Stranded Wire
Conductor Size	For 24AWG - 26AWG
Insulation Size	1.0mm max



Cat5e CableGuy.com  
Steven Swanson  
1835a South Centre City Pkwy #449  
Escondido CA 92025

PH#s 951-999-9141 or Toll Free 1-877-292-7528

Since 2002 Low Prices, Quality Cable, Fast Shipping



Rev. 06/2017

Subject to change without notice.