

CAT6/6A UNSHIELDED RJ45 PLUG (FEED THRU STYLE)



SKU: 012-025/EZF-100

Electrical

Voltage Rating	250 VAC RMS
Current Rating	2 Amps
Contact Resistance	20m Ω Max
Insulation Resistance	500m Ω

Mechanical

Cable to Plug Tensile Strength	20 lbs
Durability	2000 Cycles Min.

Material

Housing	Polycarbonate UL94V-2
Contact Blade	Gold Plated (3 Prong)
Conductor Type	For Solid and Stranded Wire
Conductor Size	For 23AWG
Insulation Size	1.10mm max

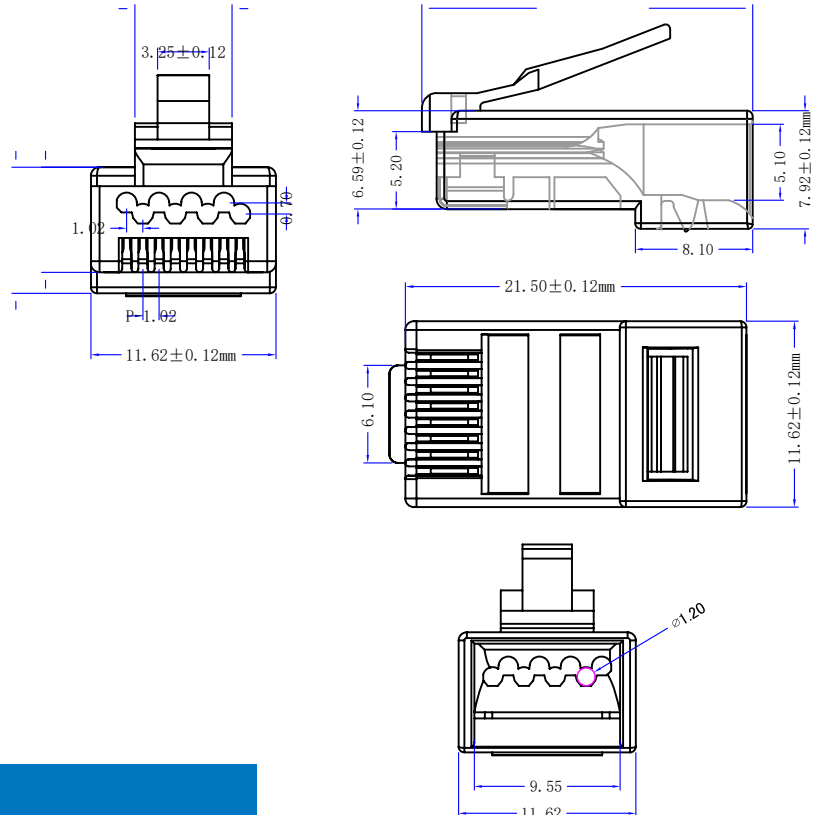
DESCRIPTION

Category 6/6A, Unshielded Feed Thru RJ45 Modular Connector

FEATURES

- Feed through design
- Fast and easy to terminate
- Easier sequence verification
- Gold plated terminal contact
- For solid and stranded cable

Comes in a Pack of 100 Plugs



VERTICAL CABLE

800.749.2447 Florida
951.696.7772 California
845.391.8318 New York

www.verticalcable.com

Rev. 03/2019

Specs subject to change without notice.
It is the sole responsibility of the user to have the most current specs.