

CAT6/6A SHIELDED PLUG (FEED THRU STYLE)



SKU: 012-026/EZF-100

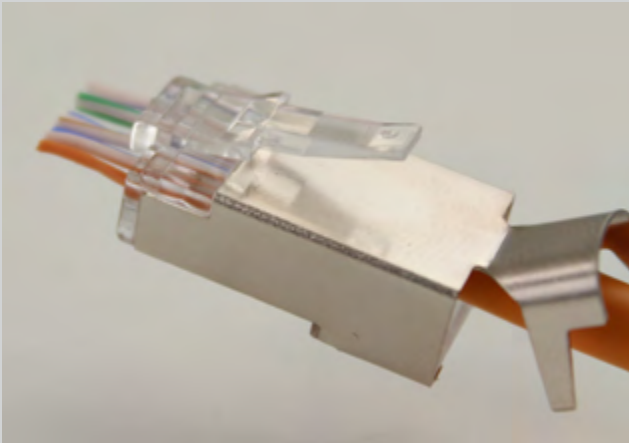
DESCRIPTION

Category 6/6A Shielded Feed Thru RJ45 Modular Connector

FEATURES

- Feed through design
- Fast and easy to terminate
- Easier sequence verification
- Gold plated terminal contact
- For solid and stranded cable

Comes in a Pack of 100 Plugs



Works with Easy Feed Crimp Tool
SKU: 078-2154/EZC/S
(Tool is not included and can be purchased separately)

Electrical

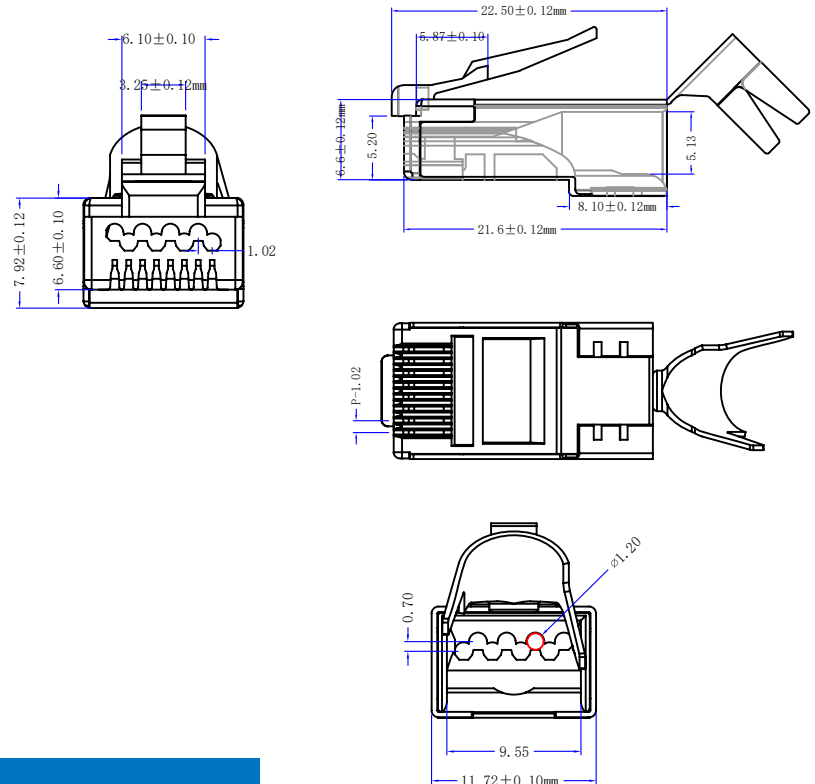
Voltage Rating	250 VAC RMS
Current Rating	2 Amps
Contact Resistance	20m Ω Max
Insulation Resistance	500m Ω

Mechanical

Cable to Plug Tensile Strength	20 lbs
Durability	2000 Cycles Min.

Material

Housing	Polycarbonate UL94V-2
Contact Blade	Gold Plated (3 Prong)
Conductor Type	For Solid and Stranded Wire
Conductor Size	For 23AWG
Insulation Size	1.10mm max



VERTICAL CABLE

800.749.2447 Florida
951.696.7772 California
845.391.8318 New York

www.verticalcable.com

Rev. 03/2019

Specs subject to change without notice.
It is the sole responsibility of the user to have the most current specs.