

CAT5E OUTDOOR CABLE STP, WITH 95% BRAID COVERAGE

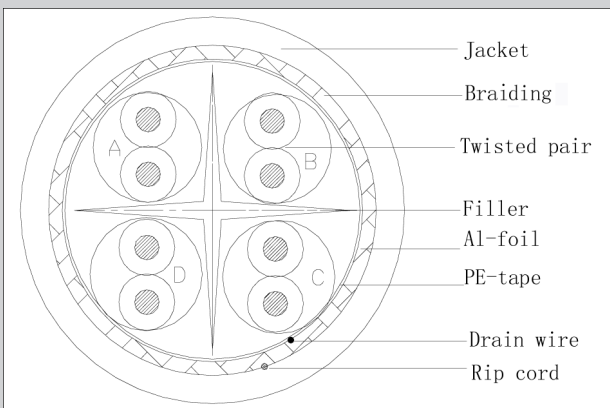
Cat5eCableGuy.Com

DESCRIPTION

Category-5E, STP w/Drain Wire, 95% TC Braid, Outdoor rated Jacket, Solid-Bare Copper.

FEATURES

- Category-5E Shielded Twisted Pair
- High-Performance Data Cable
- Optimal for Gigabit Ethernet Networks
- 95% Tinned Copper Braiding
- Drain wire to prevent ESD
- Multi-Shield to withstand EMI/RFI
- Easily Identified Color-Striped Pairs
- 24AWG Solid Copper Conductors
- Exceeds TIA/EIA-568B.2
- ETL Listed
- 1000ft Wooden Spool



Pairs are separated with center divider to reduce cross talk (Next).

SKU: 059-496/S2/CWT

Technical Data

Rated Temperature 70 °C
Rated Voltage 30V

Conductor

Size Solid Bare Copper

Insulation

Average Thickness (mm) 0.228
Insulation Diameter (±0.005mm) 0.97
Twisted Pair Diameter (±0.01) 1.94

Separator

PE-Tape LDPE

AL-Foil

Drain Wire (TC)(mm) Yes

Braiding (0.12TC)

PE-Tape Yes

Assembly Diameter (mm)

Jacket (Black) LLDPE

Average Thickness (mm) 0.70

Outer Diameter (±0.10mm) 7.40

Rip Cord Yes (Nylon)

Color of Pairs

Pair 1:Blue,White-Blue Pair 2:Orange,White-Orange
Pair 3:Green,White-Green Pair 4:Brown,White-Brown

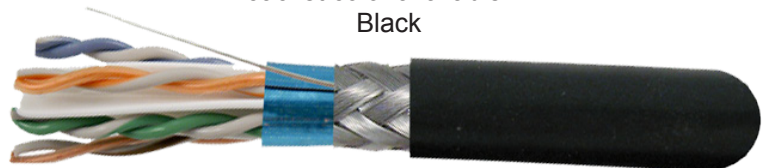
Mechanical Characteristics

Test Object	Jacket
Test Material	LLDPE
Before Tensile Strength (Mpa)	>=10.6
Aging Elongation (%)	>=300
Aging Condition (°Cxhrs)	100x168
After Tensile Strength (Mpa)	>=85% of unaged
Aging Elongation (%)	>=50% of unaged
Cold Bend (-20±2° Cx4hrs)	No Crack

Marking on Jacket

VERTICAL 4001453 cETLus VERIFIED STP 4PR 24AWG OUTDOOR DIRECT BURIAL UV LLDPE CWT/S2 CAT5E 350MHZ TIA/EIA - 568B.2 RoHS XXXFT (SEQUENTIAL FOOT MARKERS ON JACKET)

Jacket color available in Black



Cat5e CableGuy.com
Steven Swanson
1835a South Centre City Pkwy #449
Escondido CA 92025

PH#s 951-999-9141 or Toll Free 1-877-292-7528

Since 2002 Low Prices, Quality Cable, Fast Shipping



Rev. 11/2011

Subject to change without notice.

CAT5E OUTDOOR CABLE STP, WITH 95% BRAID COVERAGE

PERFORMANCE

Electrical Characteristics:

1.0-350.0MHz Impedance (Ohms)	100±15
1.0-350.0MHz Delay Skew (ns/100m)	<=45
Pair-to-Ground Capacitance Unbalance (pF/100m)	<=330
Max. Conductor DC Resistance 20°C (ohms/km)	95
Resistance Unbalance (%)	<=5

Frequency (Mhz)	Return Loss (Min dB)	Attenuation Max (dB/100m)	Next (Min dB)
1	20.0	2.0	68.3
4	23.0	4.1	59.3
8	24.5	5.8	54.8
10	25.0	6.5	53.3
16	25.0	8.2	50.3
20	25.0	9.3	48.8
25	24.3	10.4	47.3
31.25	23.6	11.7	45.9
62.5	21.5	17.0	41.4
100	20.1	22.0	38.3
200	18.0	32.4	35.5
300	16.8	41.0	31.2
350	16.3	44.9	30.1

Frequency (Mhz)	PSNext (Min dB)	ELFEXT Min(db/100m)	PSELFEXT Min(db/100m)
1	62.3	63.8	60.8
4	53.3	51.7	48.7
8	48.8	45.7	42.7
10	47.3	43.8	40.8
16	44.3	39.7	36.7
20	42.8	37.7	34.8
25	41.3	35.8	32.8
31.25	39.9	33.9	30.9
62.5	35.4	27.8	24.8
100	32.3	23.8	21.0
200	27.8	17.7	14.7
300	25.2	14.2	11.2
350	24.2	12.9	9.9



Cat5e CableGuy.com
Steven Swanson
1835a South Centre City Pkwy #449
Escondido CA 92025

PH#s 951-999-9141 or Toll Free 1-877-292-7528

Since 2002 Low Prices, Quality Cable, Fast Shipping

Rev. 11/2011

Subject to change without notice.