

# CAT5E OUTDOOR CABLE STP, WITH 95% BRAID COVERAGE

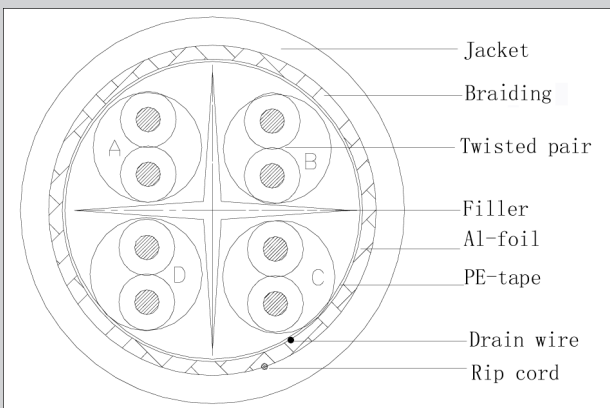
Cat5eCableGuy.Com

## DESCRIPTION

Category-5E, STP w/Drain Wire, 95% TC Braid, Outdoor rated Jacket, Solid-Bare Copper.

## FEATURES

- Category-5E Shielded Twisted Pair
- High-Performance Data Cable
- Optimal for Gigabit Ethernet Networks
- 95% Tinned Copper Braiding
- Drain wire to prevent ESD
- Multi-Shield to withstand EMI/RFI
- Easily Identified Color-Striped Pairs
- 24AWG Solid Copper Conductors
- Exceeds TIA/EIA-568B.2
- ETL Listed
- 1000ft Wooden Spool



Pairs are separated with center divider to reduce cross talk (Next).

**SKU: 059-496/S2/CWT**

### Technical Data

Rated Temperature 70 °C  
Rated Voltage 30V

### Conductor

Size **Solid Bare Copper**

### Insulation

Size **24 AWG**

Average Thickness (mm) 0.228

Insulation Diameter (±0.005mm) 0.97

Twisted Pair Diameter (±0.01) 1.94

### Separator

PE-Tape **LDPE**

AL-Foil **Yes**

Drain Wire (TC)(mm) **Yes**

Braiding (0.12TC) **0.40**

PE-Tape **95% Coverage**

Assembly Diameter (mm) **Yes**

**Jacket (Black)** **5.50**

Average Thickness (mm) **LLDPE**

Outer Diameter (±0.10mm) **0.70**

Rip Cord **7.40**

### Color of Pairs

Pair 1:Blue,White-Blue Pair 2:Orange,White-Orange

Pair 3:Green,White-Green Pair 4:Brown,White-Brown

### Mechanical Characteristics

Test Object **Jacket**

Test Material **LLDPE**

Before Tensile Strength (Mpa) **>=10.6**

Aging Elongation (%) **>=300**

Aging Condition (°Cxhrs) **100x168**

After Tensile Strength (Mpa) **>=85% of unaged**

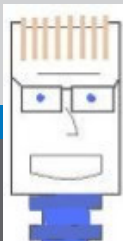
Aging Elongation (%) **>=50% of unaged**

Cold Bend (-20±2° Cx4hrs) **No Crack**

### Marking on Jacket

VERTICAL 4001453 cETLus VERIFIED STP 4PR 24AWG OUTDOOR DIRECT BURIAL UV LLDPE CWT/S2 CAT5E 350MHz TIA/EIA - 568B.2 RoHS XXXFT (SEQUENTIAL FOOT MARKERS ON JACKET)

Jacket color available in  
Black



Cat5eCableGuy.Com  
Where Quality Cable is on Sale!



# CAT5E OUTDOOR CABLE STP, WITH 95% BRAID COVERAGE

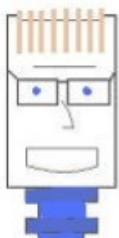
## PERFORMANCE

### Electrical Characteristics:

1.0-350.0MHz Impedance (Ohms)	100±15
1.0-350.0MHz Delay Skew (ns/100m)	<=45
Pair-to-Ground Capacitance Unbalance (pF/100m)	<=330
Max. Conductor DC Resistance 20°C (ohms/km)	95
Resistance Unbalance (%)	<=5

Frequency (Mhz)	Return Loss (Min dB)	Attenuation Max (dB/100m)	Next (Min dB)
1	20.0	2.0	68.3
4	23.0	4.1	59.3
8	24.5	5.8	54.8
10	25.0	6.5	53.3
16	25.0	8.2	50.3
20	25.0	9.3	48.8
25	24.3	10.4	47.3
31.25	23.6	11.7	45.9
62.5	21.5	17.0	41.4
100	20.1	22.0	38.3
200	18.0	32.4	35.5
300	16.8	41.0	31.2
350	16.3	44.9	30.1

Frequency (Mhz)	PSNext (Min dB)	ELFEXT Min(db/100m)	PSELFEXT Min(db/100m)
1	62.3	63.8	60.8
4	53.3	51.7	48.7
8	48.8	45.7	42.7
10	47.3	43.8	40.8
16	44.3	39.7	36.7
20	42.8	37.7	34.8
25	41.3	35.8	32.8
31.25	39.9	33.9	30.9
62.5	35.4	27.8	24.8
100	32.3	23.8	21.0
200	27.8	17.7	14.7
300	25.2	14.2	11.2
350	24.2	12.9	9.9



**Cat5eCableGuy.Com**  
Where Quality Cable is on Sale!

Rev. 11/2011

Subject to change without notice.