

Professional Crimp Tool For RJ45



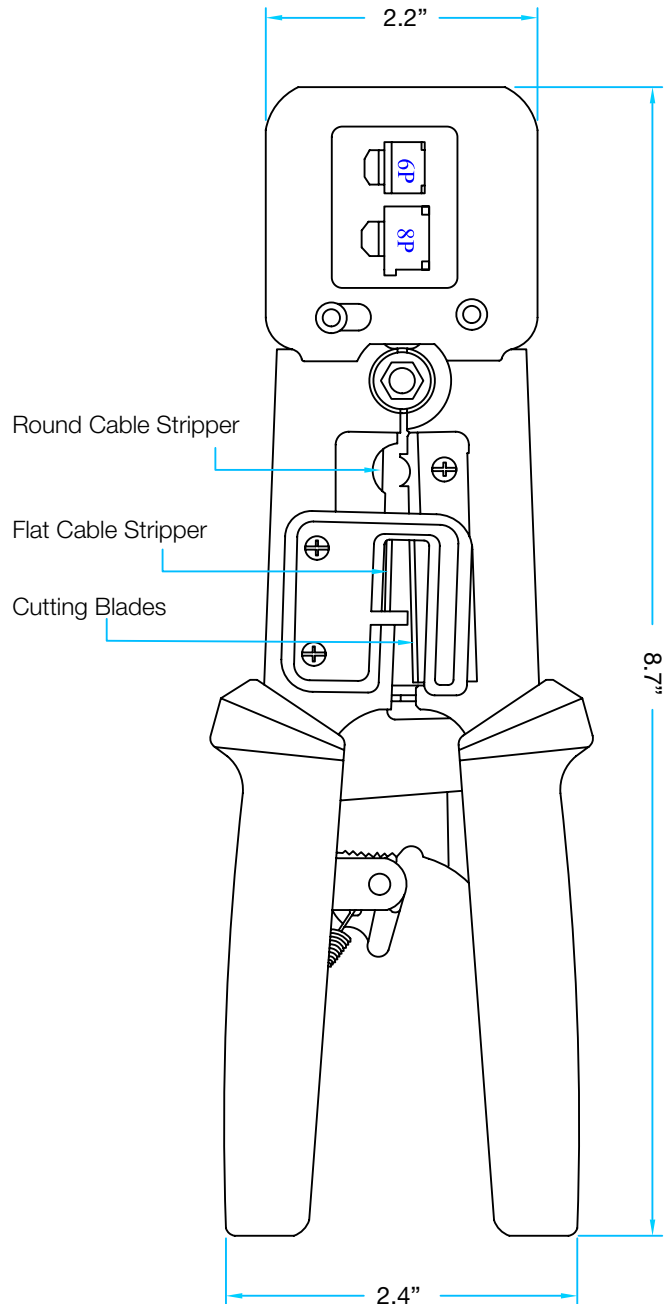
SKU: 078-2152/EZC

DESCRIPTION

Crimp Tool For RJ45 8x8

FEATURES

- Crimp RJ45 Feed Through
- Blue Grip Handle
- Built-In Cutting-Stripping Blade



VERTICAL CABLE

951.696.7772 California
800.749.2447 Florida
845.391.8318 New York



www.verticalcable.com

Rev. 10/2017

Subject to change without notice