



Alloy Hardfacing & Engineering Co., Inc.
 20425 Johnson Memorial Drive
 Jordan, Minnesota 55352

Company Information:

Company Name: _____
 Address 1: _____
 Address 2: _____

Contact Information:

Company Contact Name: _____
 Contact Phone #: _____
 Contact Fax #: _____
 Contact email Address: _____

Equipment Information:

Type of Equipment _____
 Brand of Equipment _____
 Manufacturer of Equipment _____
 Agitator / Rock Arm Yes No

Process Information:

What are we sealing:
 Water: Yes No
 Hexane: Yes No
 Chemicals: (specify) Yes No

Are Any Of The Products:

Combustible _____
 Explosive _____
 Dangerous/ Hazardous _____

Process is:

Batch: _____
 Continuous: _____
 Maximum Process Pressure: _____
 Minimum Process Pressure: _____
 Maximum Temperature: _____
 Minimum Temperature: _____

Process pH
 Maximum _____
 Minimum _____

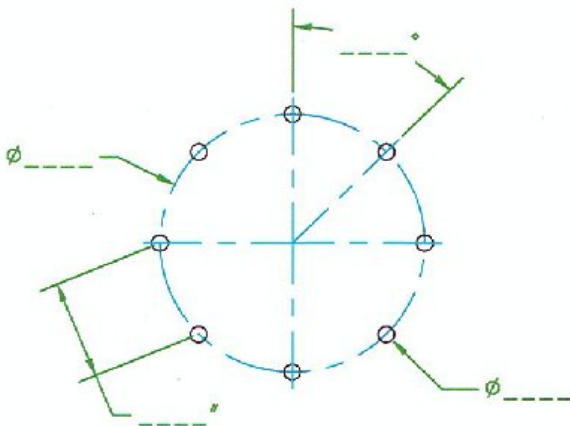
Materials of Construction Desired

Carbon Steel _____
 Stainless Steel _____

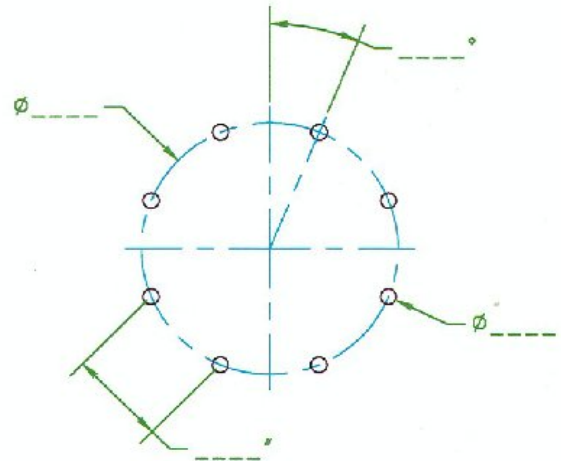




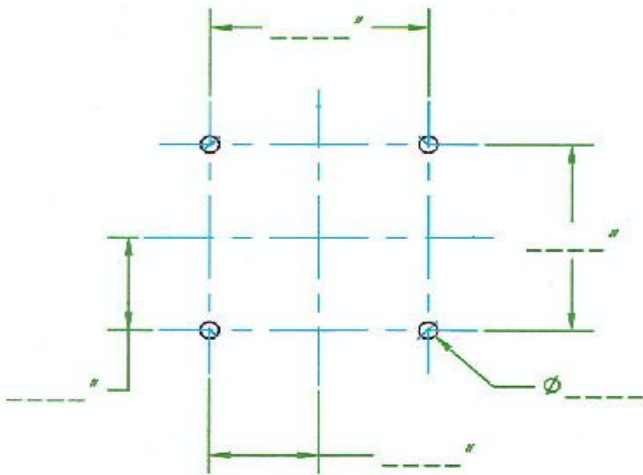
Instructions:
Circle the drawing that most closely matches your equipment



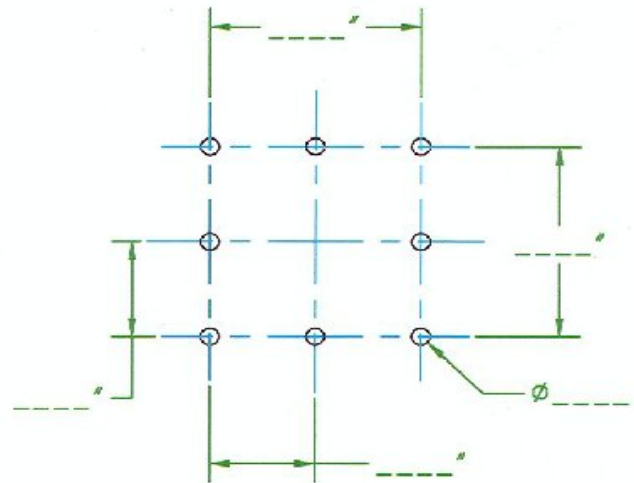
1. Bolt Pattern is Round
Bolt Holes Lie on Either Vertical
Or Horizontal Centerline (Go to Page 3)



2. Bolt Pattern is Round
Bolt Holes are Split by Either Vertical
Or Horizontal Centerline (Go to Page 4)



3. Bolt Pattern is Rectangular or Square
Bolt Holes are Split by Either Vertical
Or Horizontal Centerline (Go to Page 5)

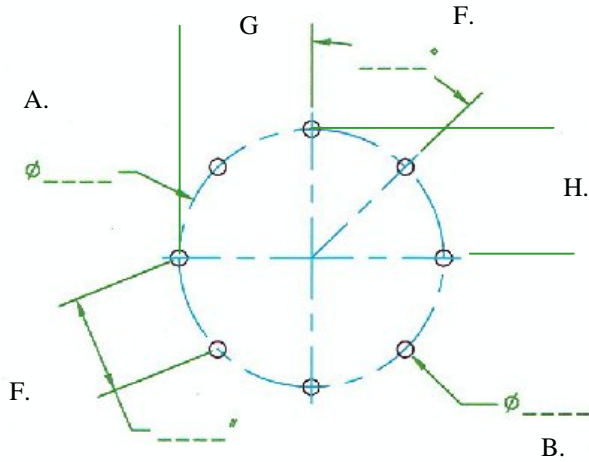


4. Bolt Pattern is Rectangular or Square
Bolt Holes Lie on Either Vertical
Or Horizontal Centerline (Go to Page 6)





Instructions: Please fill in the information requested



1. Bolt Pattern is Round
 Bolt Holes Lie on Either Vertical
 Or Horizontal Centerline

A: Bolt Circle Diameter	
-------------------------	--

B: Bolt Hole Diameter	
-----------------------	--

C: Bolt/ Stud Diameter	
------------------------	--

D: Bolt/ Stud Length	
----------------------	--

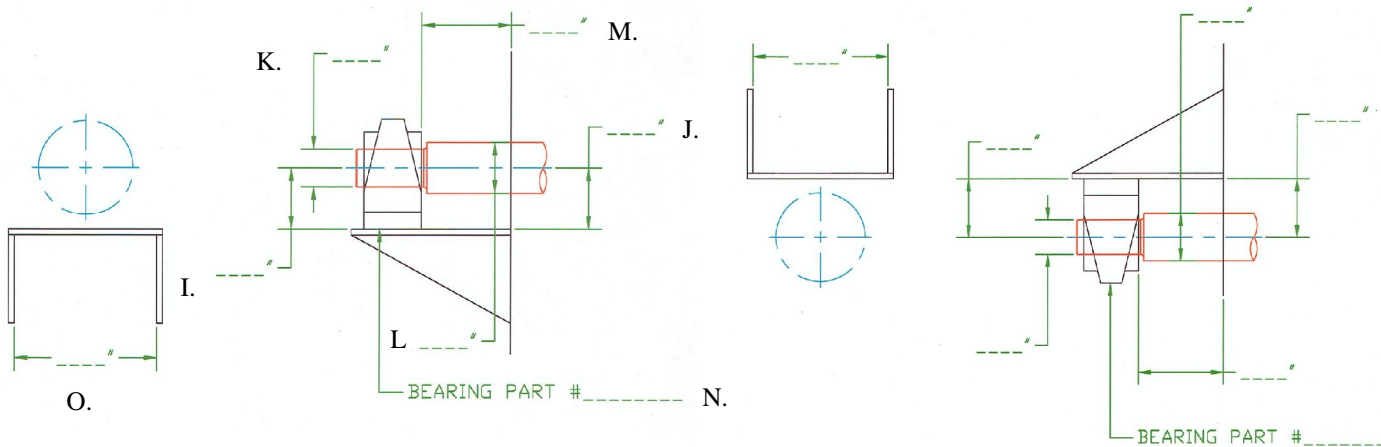
E: Number of Holes	
--------------------	--

F: Reference Angle to First Hole or Distance Between Holes	
---	--

G: Horizontal Distance From Center to Hole	
---	--

H: Vertical Distance From Center to Hole	
---	--

Instructions: Please circle the drawing that matches your layout and fill in the information requested



Instructions: Please fill in the information requested

I. Distance from bearing mounting plate to shaft centerline in bearing area

J. Distance from bearing mounting plate to shaft centerline in packing area

K. Diameter of the shaft in bearing journal area
--

L. Diameter of the shaft in Packing/ Mechanical Seal area

M. Distance from Bearing housing to equipment face
--

N. Bearing Manufacturer and Part Number

O. Inside Width of Bearing Mount

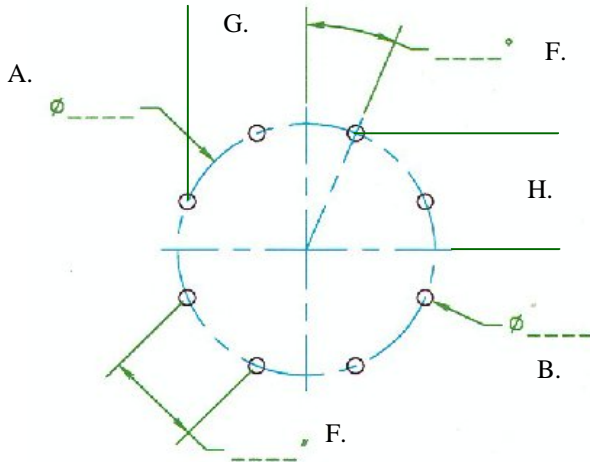


Alloy Hardfacing & Engineering Co. Inc.
 20425 Johnson Memorial Drive
 Jordan, Minnesota 55352

Mechanical Seal Application Sheet

Page 4

Instructions: Please fill in the information requested



A: Bolt Circle Diameter	
-------------------------	--

B: Bolt Hole Diameter	
-----------------------	--

C: Bolt/ Stud Diameter	
------------------------	--

D: Bolt/ Stud Length	
----------------------	--

E: Number of Holes	
--------------------	--

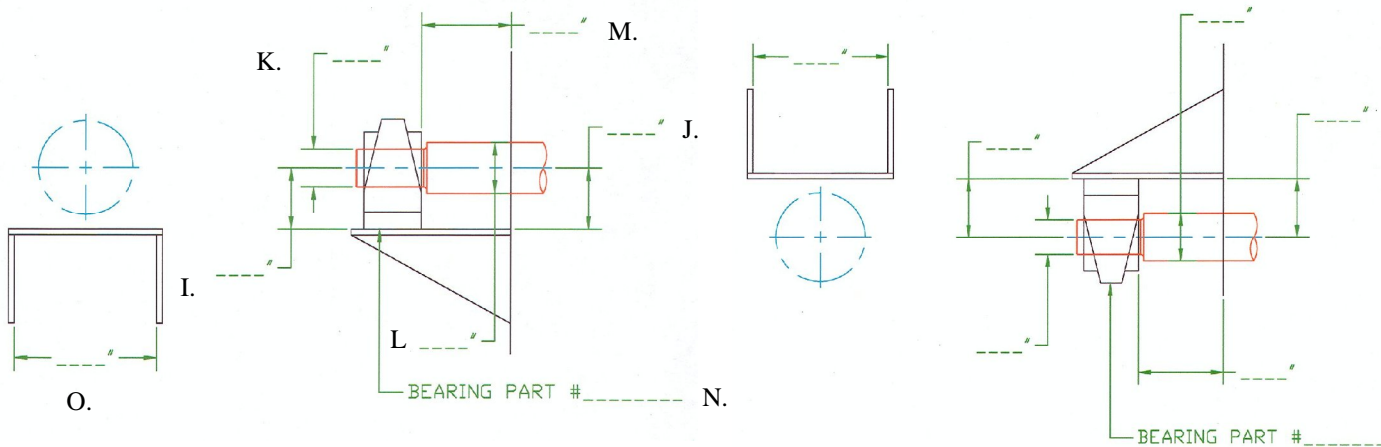
F: Reference Angle to First Hole or Distance Between Holes	
--	--

G: Horizontal Distance From Center to Hole	
--	--

H: Vertical Distance From Center to Hole	
--	--

2. Bolt Pattern is Round
 Bolt Holes are Split by Either Vertical
 Or Horizontal Centerline

Instructions: Please circle the drawing that matches your layout and fill in the information requested



Instructions: Please fill in the information requested

I. Distance from bearing mounting plate to shaft centerline in bearing area

J. Distance from bearing mounting plate to shaft centerline in packing area

K. Diameter of the shaft in bearing journal area
--

L. Diameter of the shaft in Packing/ Mechanical Seal area

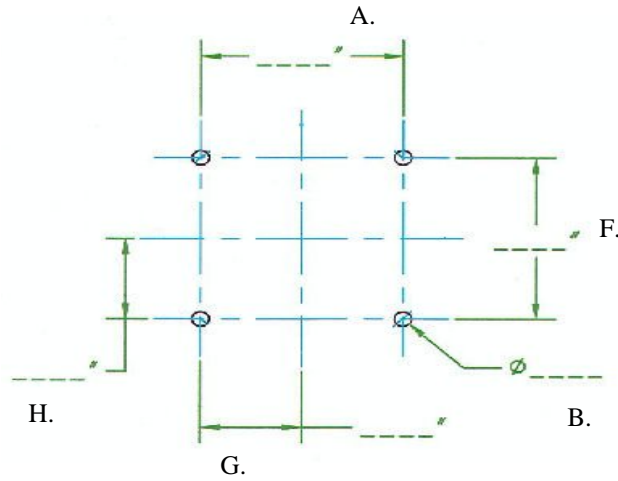
M. Distance from Bearing housing to equipment face
--

N. Bearing Manufacturer and Part Number

O. Inside Width of Bearing Mount



Instructions: Please fill in the information requested



A: Bolt Pattern Size	
----------------------	--

B: Bolt Hole Diameter	
C: Bolt/ Stud Diameter	

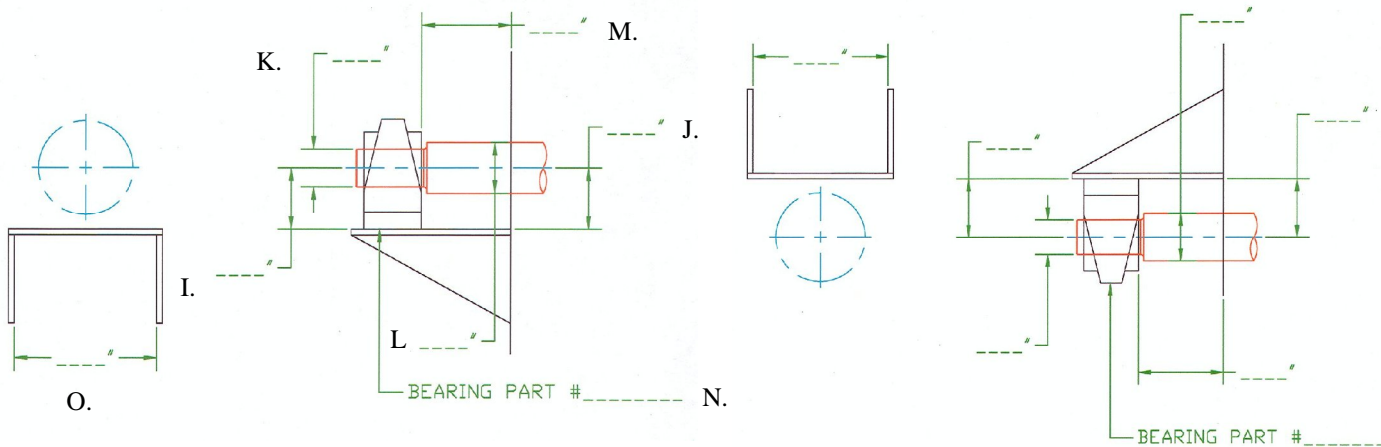
D: Bolt/ Stud Length	
E: Number of Holes	

F: Reference Angle to First Hole or Distance Between Holes	
G: Horizontal Distance From Center to Hole	

H: Vertical Distance From Center to Hole	
--	--

3. Bolt Pattern is Rectangular or Square
 Bolt Holes are Split by Either Vertical
 Or Horizontal Centerline

Instructions: Please circle the drawing that matches your layout and fill in the information requested

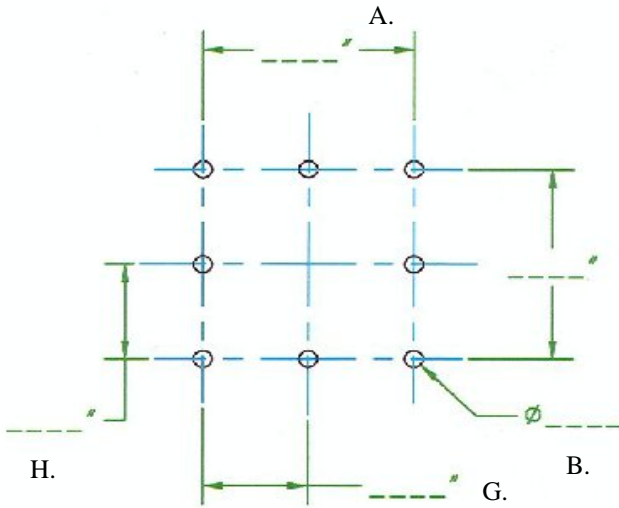


Instructions: Please fill in the information requested

I. Distance from bearing mounting plate to shaft centerline in bearing area
J. Distance from bearing mounting plate to shaft centerline in packing area
K. Diameter of the shaft in bearing journal area
L. Diameter of the shaft in Packing/ Mechanical Seal area
M. Distance from Bearing housing to equipment face
N. Bearing Manufacturer and Part Number
O. Inside Width of Bearing Mount



Instructions: Please fill in the information requested



A: Bolt Pattern Size	
----------------------	--

B: Bolt Hole Diameter	
C: Bolt/ Stud Diameter	

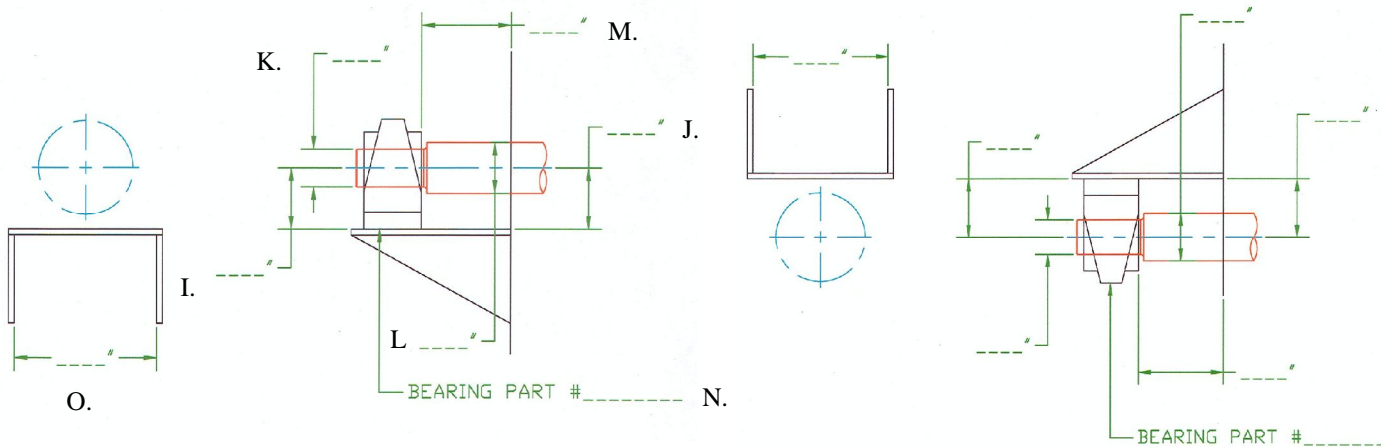
D: Bolt/ Stud Length	
E: Number of Holes	

F: Reference Angle to First Hole or Distance Between Holes	
G: Horizontal Distance From Center to Hole	

H: Vertical Distance From Center to Hole	
--	--

4. Bolt Pattern is Rectangular or Square
 Bolt Holes Lie on Either Vertical
 Or Horizontal Centerline

Instructions: Please circle the drawing that matches your layout and fill in the information requested



Instructions: Please fill in the information requested

I. Distance from bearing mounting plate to shaft centerline in bearing area

J. Distance from bearing mounting plate to shaft centerline in packing area

K. Diameter of the shaft in bearing journal area

L. Diameter of the shaft in Packing/ Mechanical Seal area

M. Distance from Bearing housing to equipment face

N. Bearing Manufacturer and Part Number

O. Inside Width of Bearing Mount